

209 Spring Hinge

Material Specifications

- #304 Stainless Steel

Mounting

- Screw Fix or Bolt Through

Dimensions

- 67mmW x 93mmH x 35mmD

Finish

- Satin Stainless Steel

Installation Guidelines

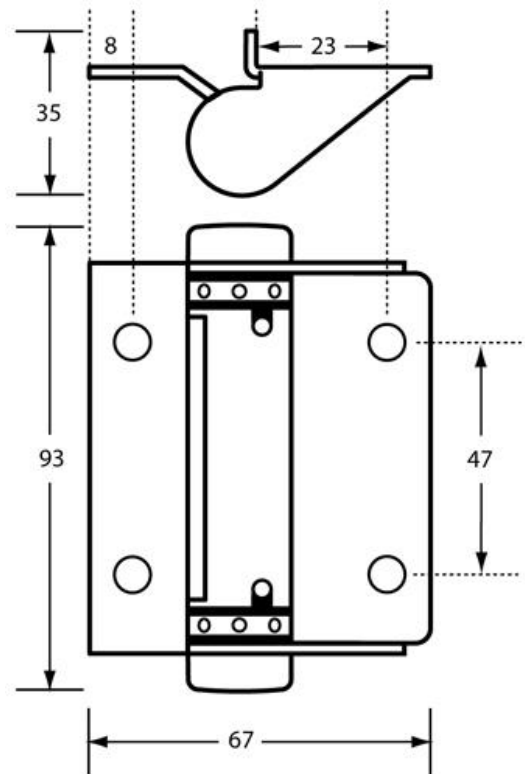
Tensioning A 209 Hinge



Hold Open



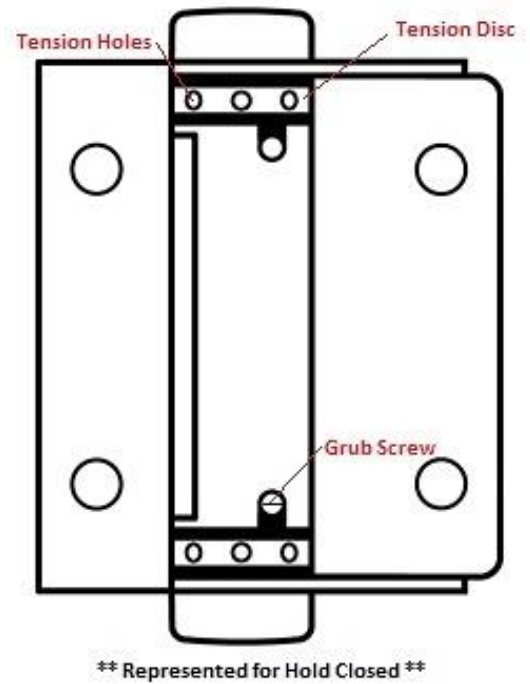
Hold Closed



Hold Open has the grub screw on the top, and **Hold Closed** has the grub screw on the bottom.

1. After fitting the hinges in place, close the door entirely.

2. Before you start, you need to know what adjustment your hinge needs:
 - i. **For Hold Closed:** If the door slams shut, you will need to loosen the hinge. If the door shuts very slowly or not at all, the hinge needs tightening.
 - ii. **For Hold Open:** If the door only opens slightly, the hinge needs tightening. If the door slams open, you will need to loosen the hinge.
3. Insert a small pin punch or similar into the multi holed tension disk on the opposite end of the hinge to the grub screw.



The photographs and line drawings of the products presented above are representational only. Metlam Australia Pty Ltd reserves the right to, and from time to time, make changes and improvements in design and dimensions.

- a) To tension for a **Hold Open Hinge**, turn the tension disk towards the door. Then insert the small retaining pin (included) into the disk that the pin punch is in, on the opposite side to the door.



- b) To tension for a **Hold Closed Hinge**, turn the tension disk away from the door. Then insert the small retaining pin (included) into the disk that the pin punch is in, on the side that is nearest to the door.



The photographs and line drawings of the products presented above are representational only.
Metlam Australia Pty Ltd reserves the right to, and from time to time, make changes and improvements in design and dimensions.

4. Slowly release the tension on the retaining pin and remove the pin punch.

Note:

- DO NOT over tension the hinge as this can damage the internal spring.
- Adjust doors with Spring Hinges to open a full 180° or only halfway open at 90°. You do not normally need to tighten past two adjustment holes for 180° or three for 90° function.

Features

- Spring assisted door opening / door closing

The technical recommendations contained in this document are necessarily of a general nature and should not be relied on for specific applications without first securing competent advice. Whilst Metlam Australia Pty Ltd has taken all reasonable steps to ensure the information contained herein is accurate and current, it does not warrant the accuracy or completeness of the information and does not accept liability for errors or omissions. Any Commercial product should only be installed by a competent tradesperson and serviced/maintained by knowledgeable janitorial staff or competent people. Metlam Australia accepts no responsibility for any damage to product, walls or fixtures due to incorrect installation or maintenance of any of their products.

The photographs and line drawings of the products presented above are representational only.
Metlam Australia Pty Ltd reserves the right to, and from time to time, make changes and improvements in design and dimensions.