

RECESSED HIDDEN MOUNTING PAPER TOWEL DISPENSER



RECESSED HIDDEN MOUNTING PAPER TOWEL DISPENSER 1983

- Hidden mounting for use behind wall or mirror - unit is concealed in wall

- Satin finish stainless steel

Overall Dimensions
342mm W x 464mm H x 113mm D

CONSTRUCTION:

CABINET: Fabricated of type 304 (18-8), heavy gauge stainless steel. All welded construction.

TOWEL TRAY: Fabricated of type 304 (18-8), heavy gauge stainless steel in architectural satin finish. Equipped with two self-closing piano hinged panels.

CAPACITY:

Holds Bradley Model No 2001 Ultraslim paper hand towels or Bradley Model No 2004 Multifold paper hand towels.

OPERATION:

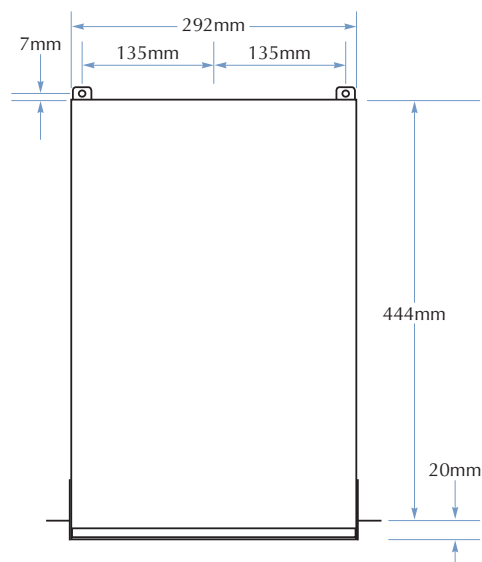
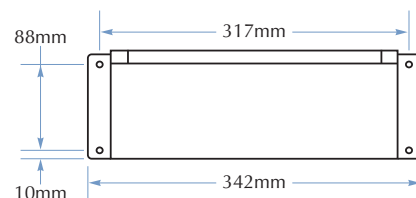
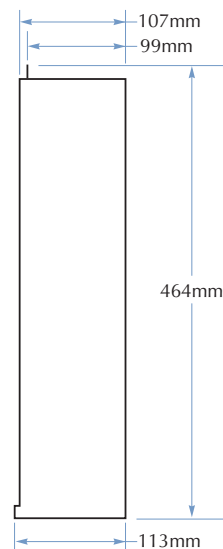
Towel dispenser will dispense paper towels without the use of special adaptors. When correctly installed only the paper towel tray is visible. Unit is loaded from the base self-closing panels of the paper towel tray.

INSTALLATION:

Recessed behind mirror or cabinet. Install unit prior to installation of wall surface, cabinet or mirror. Secure to framing with mounting screws at holes provided.

GUIDE SPECIFICATION:

Recessed, hidden mounting paper towel dispenser shall be fabricated of heavy gauge type 304 (18-8) stainless steel with exposed surfaces in architectural satin finish, for use behind wall or mirror. Towel dispenser is equipped with two self-closing piano hinged panels.



TOLL FREE 1300 364 561

The manufacturer reserves the right to make changes in design and material without formal notice and without incurring obligation.

Bradley
AUSTRALIA.COM