



SLIDING DOOR EURO MORTICE LOCK



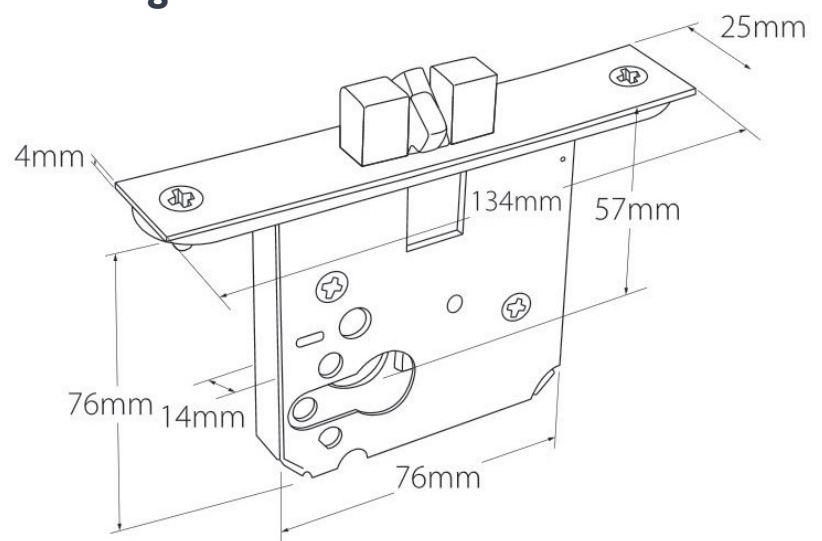
Description:

- This lock is manufactured in the UK, making it of the finest quality.
- It can be integrated with a flush pull, for example the Verve Sliding Door Lock Kits.
- It is also often used with escutcheons and a cylinder.
- 316 Marine Grade Stainless Steel.
- 57mm Backset
- 76mm Case size.

Finishes:

- Brushed Nickel
- Graphite Nickel
- Matt Black
- Satin Brass

Drawing and Measurement:



Note: Measurements are in mm