

MORE THAN JUST QUALITY – AN EXPERIENCE™



FUTURA
DUKE
D U M M Y S E T
(NON-HANDED)

Component: 1x Lever (Single) & 1x 8mm Spindle



Description:

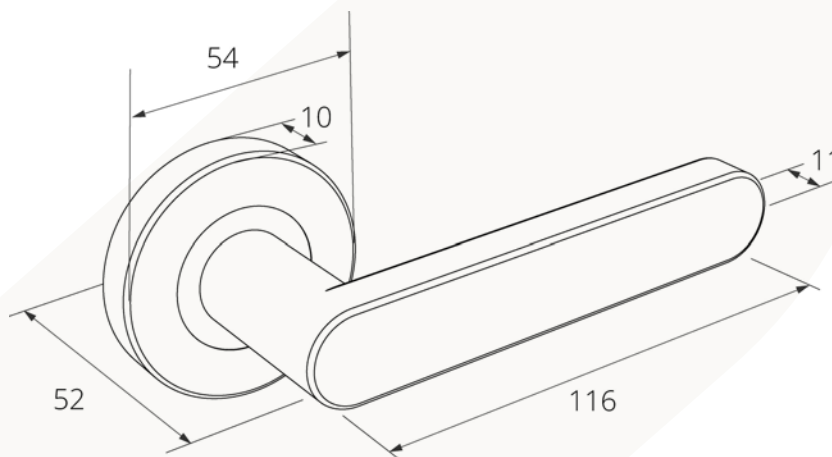
- 15-Year Warranty: Futura Door Furniture is covered for 15 years internally and 10 years externally. If defective, Zanda will replace it for free.
- Ergonomic design for user comfort
- Modern European design
- Ideal for elderly
- Backsets are 60mm. Specify if otherwise.
- Suit domestic and light commercial application
- Suits 25mm hole size

Available Set:

- Lever Set
- Passage Set
- Separate Privacy Set
- Integrated Privacy Set
- Dummy Set
- Entrance Set

Available Finish:

- Brushed Nickel
- Graphite Nickel
- Matt Black
- Satin Brass
- White



Note: Measurements are in mm

1 300 926 321

sales@zanda.com.au

www.zanda.com.au

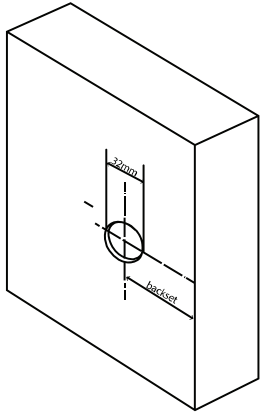
FUTURA DUMMY SETS

Product Code: 10013.D | 10023.D | 10073.D | 10083.D
10093.D | 7313.D | 7019.D | 7106.D | 7015.D | 10003.D | 10053.D

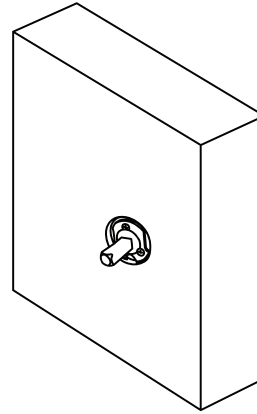
Print: Actual size on A4 paper

Zanda 1152.-8mm dummy fix mounts are designed to be recessed and screwed onto the door face, with the handle slipping over the top. The handle base plate is then screwed to, or bolted through the door.

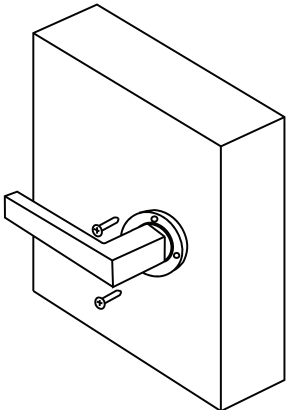
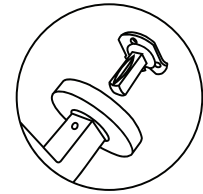
Note: It is important to ensure solid fixing is available for handle dummy mount screws (specially for hollow doors).



- 1 Establish the height and position for the handle on the door.
- 2 Drill a 32mm diameter recess on the face of the door to a depth of 4mm. Match the backset measurement of the passage doors throughout your home

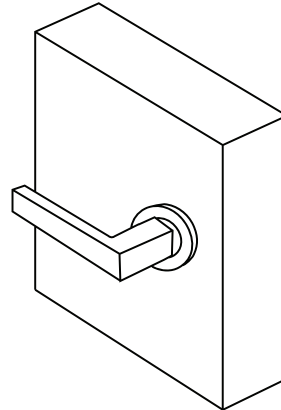


- 3 Fill the dummy spindle by drilling and fitting the three wood screws provided. Ensure the grooved side of the spindle is aligned with the grubscrews on the handle.



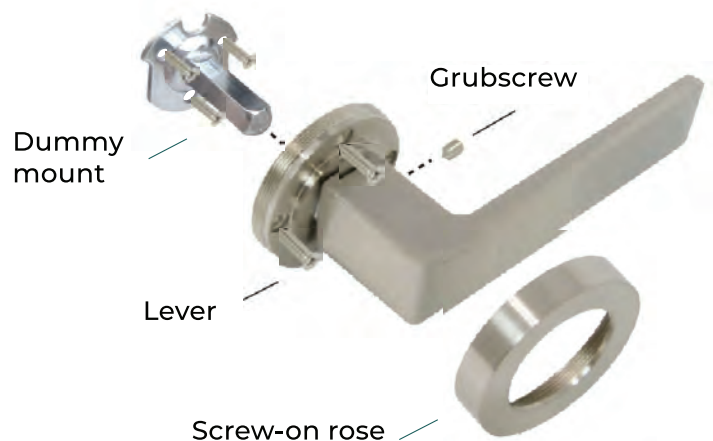
- 4 Slide the handle onto the spindle ensuring that it sits straight on the door face.
- 5 Install the handle by screwing the base plate to the door with the wood screws provided.

Note: In some cases where through the door bolts are provided, the door can be drilled on both sides to accept the through screws.



- 6 Screw the rose cover onto the handle and tighten the grub-screw on the side of the lever onto the spindle.

Note: The grubscrews may need a re-tighten after a bedding in period. We recommend medium strength threadlock to be used.



Note: If the 1152 - dummy fix mount is not fitted, then there is no warranty on the Futura levers