



SPECIFICATION

Piatto™ Collection Paper Towel Dispenser shall hold and dispense 475 standard multi-fold or 350 standard C-fold paper towels. Frame and cabinet shall be 20 gage type 304 alloy 18-8 stainless steel and shall have no exposed fastening devices. Towel dispensing slot shall have a fully hemmed-in rolled edge for snag-free dispensing and user safety. Flush face door shall be 13mm thick black edged Phenolic with matte black or white outer and inner surfaces as chosen by tail code on model number. Door shall be attached to the side of cabinet with two (2) zero-clearance concealed cabinet hinges and shall be held closed with a spring-pin L-latch. Structural assembly of all components shall be of welded construction. OM & IG shall be packed with unit. Installation set-back gage and depth stops shall be provided.

OPTIONS

10-6457-00 White finish
10-6457-41 Matte Black finish

INSTALLATION

Mount unit in wall recess using four (4) № 10 x 1-1/2" [M5 x 38] self tapping Pan Head screws (by others) through concealed mounting holes provided in Shim-less adjustable mounting tabs. For general utility mount unit 1268mm AFF to bottom of unit. See OM & IG for complete installation instructions packed with unit. For mounting height standards refer to current Building Code of Australia for able bodied and/or disabled use.

Finished Wall Opening (FWO) required is: 325 W x 440 H x 121mm D minimum


WARRANTY

One year.

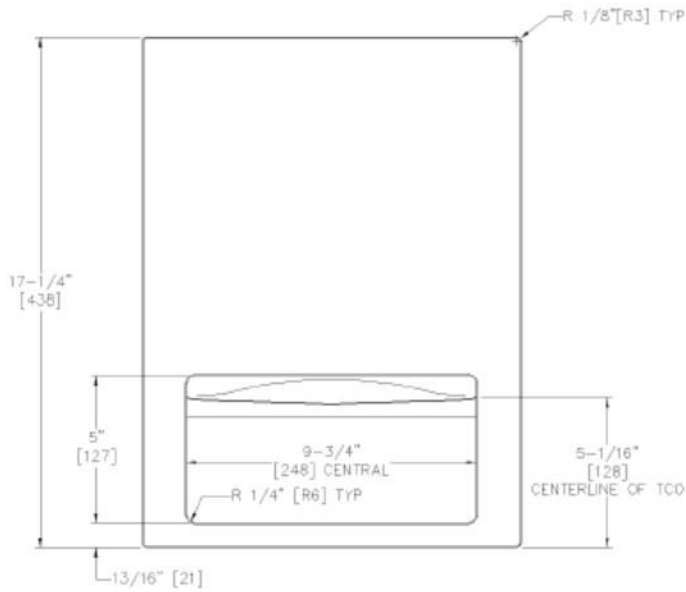
OPERATION

Towels are self-feeding until supply is depleted. Unit may be refilled with a partial load in-place and will continue to feed properly.

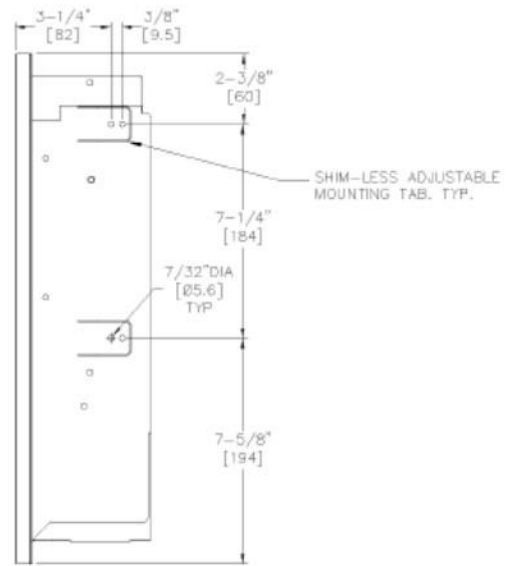
Piatto™ Collection Paper Towel Dispenser shall be Model No. 10-6457-XX (replace -XX with -00 for White or -41 for Matte Black) as supplied by ASI JD MacDonald.

 All ASI JD MacDonald disabled compliant products when installed must be in accordance with AS1428 to ensure the specified product is complying with all washroom specification requirements.

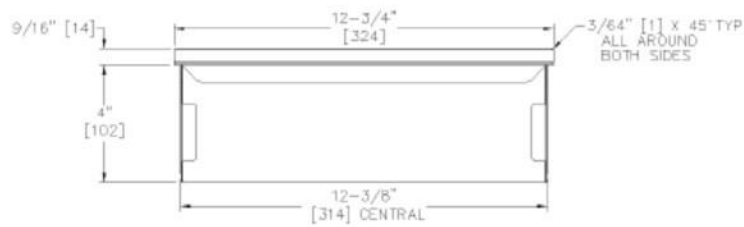
Piatto™ Collection
Paper Towel Dispenser
Model No. 10-6457-XX



FRONT VIEW

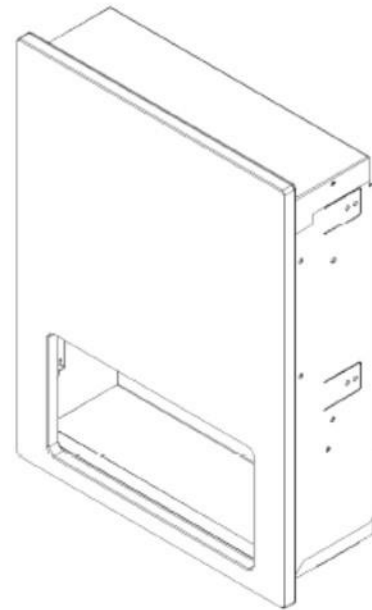


SIDE VIEW



BOTTOM VIEW

NOTE
ALL DIM'S INCH [MM]



ISOMETRIC

ASI JD MacDonald reserves the right to, and does from time to time, make changes and improvements in design and dimensions. The photographs and line drawings of the products in this flyer are representational only. All dimensions are in millimetres unless otherwise stated.