



SPECIFICATION

Roval™ Collection Partition Mounted Dual Access Sanitary Napkin Disposal shall accommodate partition thicknesses of 13mm through 32mm and shall have a waste capacity of 1.8 litres through 3 litres of dry/solids waste with expandable waste receptacle. Cabinet full door shall be drawn seamless and shall have bowed front face and gently radiused edges to provide added strength and complimentary appearance for modern washroom aesthetics. Full face door shall be 22 gauge type 304 stainless steel alloy 18-8 and shall be attached to the cabinet at side with a concealed full-length 9/64" diameter (Ø3.5) heavy-duty stainless steel multi-staked piano hinge and shall be held closed with a flush rimless tumbler lock keyed alike to other ASI JD MacDonald washroom equipment and shall have the international graphic symbol for waste on face. Full face fixed door shall be 22 gauge type 304 stainless steel alloy 18-8 and shall be attached to the cabinet at both sides with concealed welded and riveted brackets and shall have the international graphic symbol for waste on face. Cabinet, trim and push-doors shall be 22 gauge stainless steel with no exposed fastening devices or spot-welded seams. Push doors shall be held closed and shall be hung on full width concealed 1/8" diameter (Ø3) stainless steel multi-staked spring piano hinges. Waste receptacle shall be stainless steel and shall be adjustable depth to conform to internal space depending on partition thickness and shall have fully hemmed edges all around for user and service safety. Face trim shall be 27mm wide formed from one piece with no miters, welding or open seams and have 3mm radiused return to wall. All exposed surfaces of unit shall have a satin finish and shall be protected during shipment by PVC film easily removable after installation.

INSTALLATION

Mount unit in partition cut out with M4-0.7x25 or M4-0.7x40 machine screws (supplied) through concealed mounting holes provided to suit partition thickness. For mounting height standards refer to current Building Code of Australia for able bodied and/or disabled use.

PCO required is: 280 x 235 x 13 to 32 Thk Note that top of partition cut out (PCO) is 22.5mm below top of frame.

OPERATION

Users push door to deposit waste material into receptacle. Push-door is self-closing. Empty refuse manually on a cycle determined by maintenance needs by removing waste container and inverting over collection bag. Hemmed edges on waste container provide safety for service. Locked door prevents unauthorized access or removal.

WARRANTY

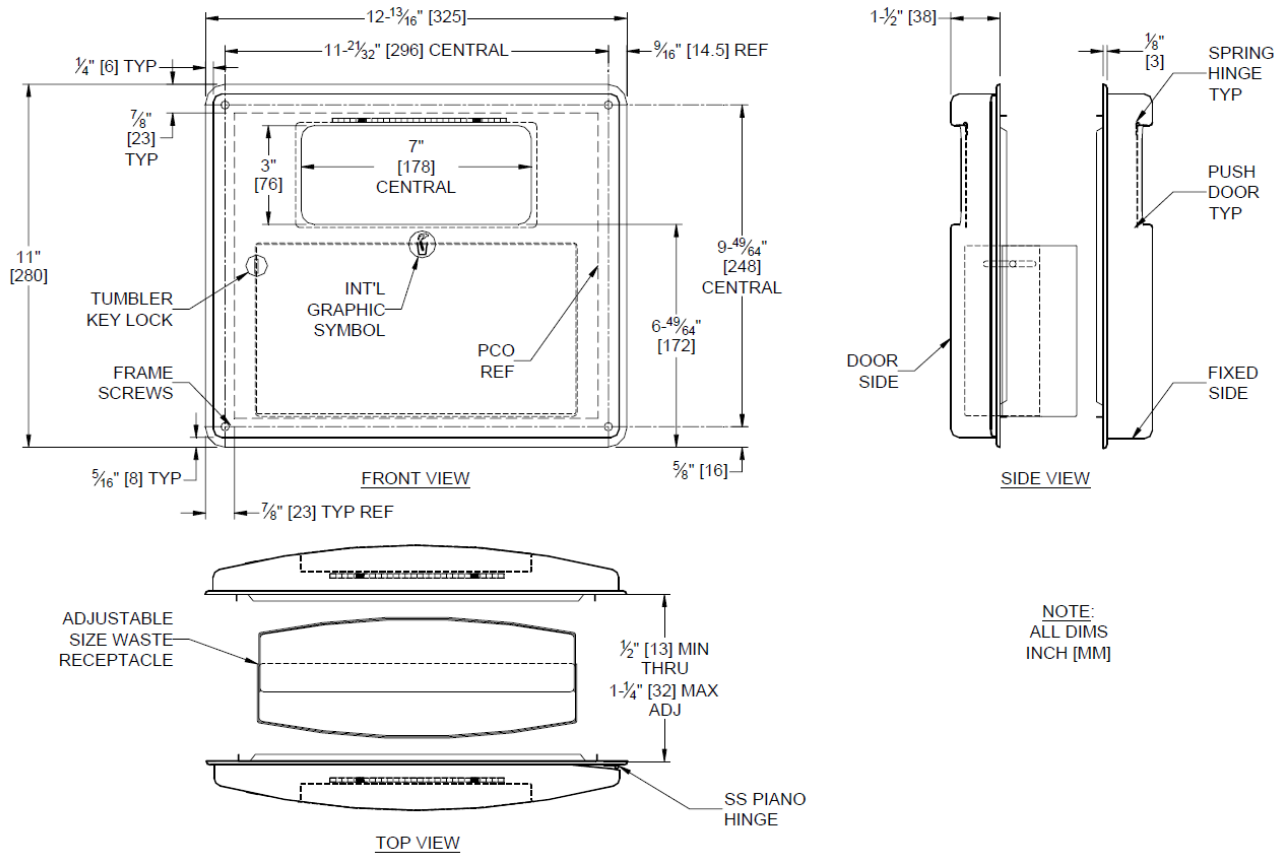
One year.

Partition Mounted Dual Access Sanitary Napkin Disposal unit shall be Model No. 10-20472 as supplied by ASI JD MacDonald.



All ASI JD MacDonald disabled compliant products when installed must be in accordance with AS1428 to ensure the specified product is complying with all washroom specification requirements.

Partition Mounted Dual Access Sanitary Napkin Disposal Model No. 10-20472



ASI JD MacDonald reserves the right to, and does from time to time, make changes and improvements in design and dimensions. The photographs and line drawings of the products in this flyer are representational only. All dimensions are in millimetres unless otherwise stated.