



SPECIFICATION

Rear Mounted Security Clothes Hook shall be fabricated of type 304 stainless steel alloy 18-8. Hook shall be 7 gauge and wall bracket shall be 11 gauge. Wall plate shall have four (4) welded-on rear mounted 1/4-20 internally-threaded posts that shall receive 1/4-20 threaded zinc-plated steel studs (supplied) of length specified to suit field conditions and shall include washers and nuts. Safety hook tension is adjustable by means of a captive round head stainless steel spanner screw. Hook shall smoothly drop down when load exceeds 35 lb (16 kg) limit when correctly set. Hook geometry and bracket shall prevent hook from being set in vertical-up position. All exposed surfaces shall have No 4 satin finish.

INSTALLATION

Unit is rear mounted to wall or partition using four (4) 1/4-20 threaded studs, washers and nuts (supplied) to suit wall condition. Unit is supplied as standard with threaded studs suitable for mounting on walls up to 152mm thick. Other wall thickness over 152mm must be specified in chart for fabrication of adequate length studs. Locate and drill 10mm to 11mm diameter holes through wall or partition to install threaded studs from rear.

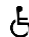
Indicate thickness of wall with check mark "✓" and specify length if over 203mm

Up to 152mm	203mm	Over 203mm	Specify W = ____ inches
-------------	-------	------------	-------------------------

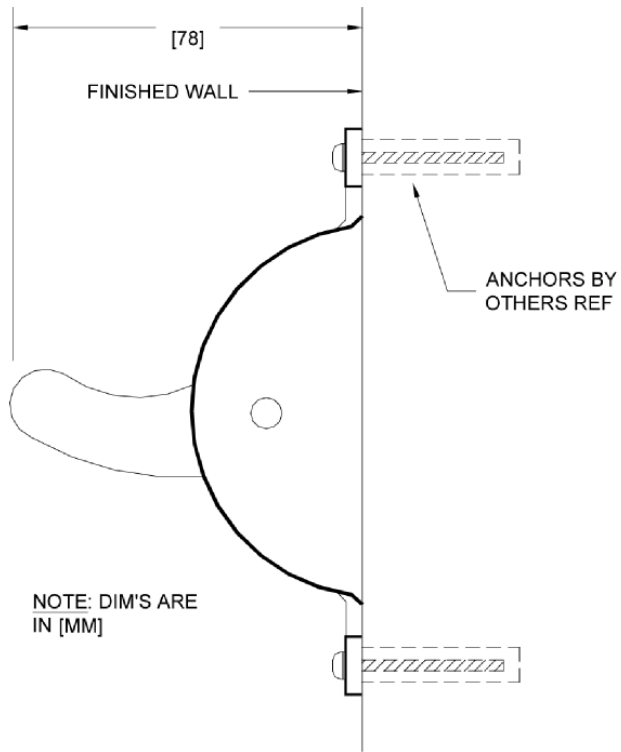
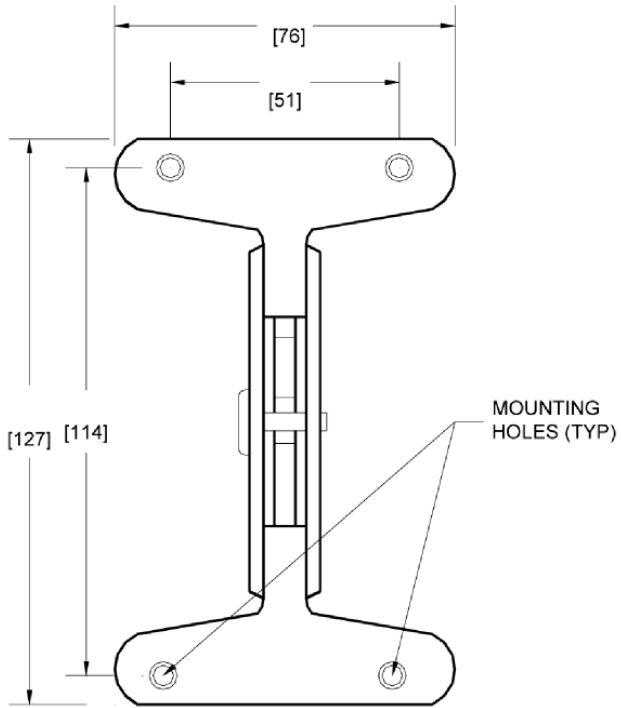
WARRANTY

One year.

Security Clothes Hook shall be Model No 10-121 as supplied by ASI JD MacDonald.

 All ASI JD MacDonald disabled compliant products when installed must be in accordance with AS1428 to ensure the specified product is complying with all washroom specification requirements.

Security Clothes Hook
Rear Mounted
Model No. 10-121



ASI JD MacDonald reserves the right to, and does from time to time, make changes and improvements in design and dimensions. The photographs and line drawings of the products in this flyer are representational only. All dimensions are in millimetres unless otherwise stated.