

SPECIFICATION

Free-Flow Paper Towel Dispenser for counter-top or backsplash or vanity apron installation shall hold and dispense one (1) package {approx 335 count} of C-fold or Multi-Fold paper towels. Face frame, towel carrier and frame shall be 18 gauge type 304 stainless steel alloy 18-8. All exposed surfaces shall have satin finish and be protected during shipment with PVC film easily removable after installation. Face trim shall be one piece construction with no open miters or exposed welding and shall have 1/4" (6mm) return to mounting surface. Flap doors shall have rolled edges and be mounted on heavy duty spring loaded hinges. Adjustable stainless steel mounting straps shall accommodate mounting surface thickness from 13 to 102mm thick. Spring actuated towel carrier mechanism shall maintain constant dispensing pressure.

INSTALLATION

Position unit into appropriate counter top or backsplash or vanity apron cut-out (by others). Installer must bend mounting straps to suit counter top or backsplash or vanity apron thickness. Secure mounting straps to underside of counter top or rear surface of backsplash with mounting screws (by others). Clearance of 432mm minimum behind/below unit from mounting surface must be provided (by others) to allow fully loaded towel carrier to operate.

Mounting Surface Opening required: 114x311x432 rear clearance

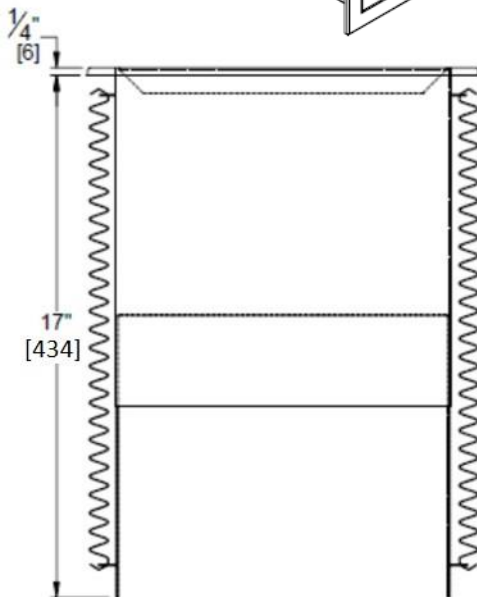
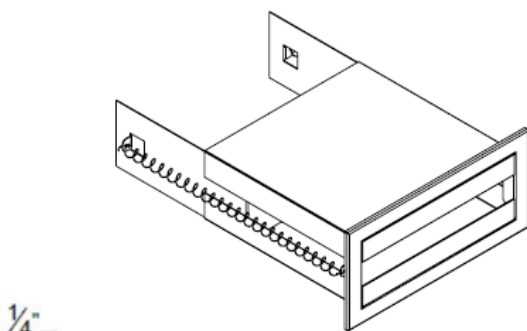
OPERATION

Paper towels are dispensed manually through flap doors until supply is depleted. A spring actuated towel carrier mechanism maintains towel dispensing pressure. Dispenser is refilled by pushing paper towel stack through flap doors. Supply is replenished on a cycle determined by maintenance needs.

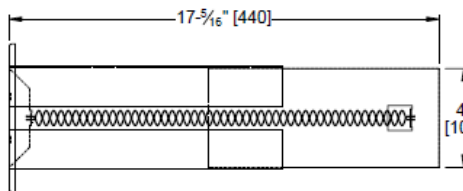
WARRANTY

One year.

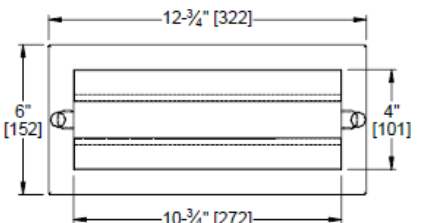
Counter Top/Splashback/Vanity Apron Paper Towel Dispenser shall be Model No. 10-1002-M as supplied by ASI JD MacDonald.



FRONT VIEW



SIDE VIEW



TOP VIEW