



SPECIFICATION

Surface Mounted Single Toilet Roll Holder shall hold one roll of standard core roll toilet paper up to 127mm diameter. Unit shall be 18 gauge chrome-plated steel with high polish. A brake-spring shall allow free delivery of toilet paper while preventing over-spin paper roll-off due to fast-pull. Roll core prevent access to release-catch spring and tissue roll shall be non-removable until depleted.

INSTALLATION

Surface mount and secure holder to wall with two (2) No. 10 self-threading screws (supplied by others) through mounting slots in back plate. For mounting height standards refer to current Building Code of Australia for able bodied and/or disabled use.


WARRANTY

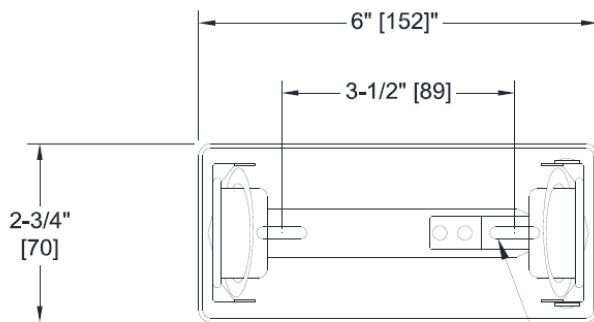
One year.

OPERATION

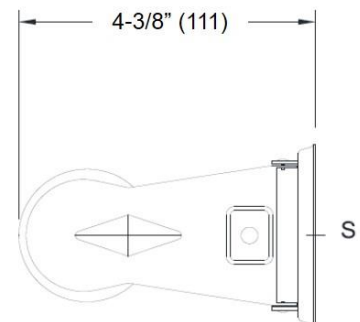
Toilet paper is dispensed with free delivery while preventing over-spin from fast-pull. Roll core prevents access to the release catch and must be removed to allow the end support arm to swing away for service roll replacement. Toilet paper is replaced on a cycle determined by maintenance needs.

Surface Mount Single Toilet Roll Holder shall be Model No. 10-0710 as supplied by ASI JD MacDonald.

 All ASI JD MacDonald disabled compliant products when installed must be in accordance with AS1428 to ensure the specified product is complying with all washroom specification requirements.

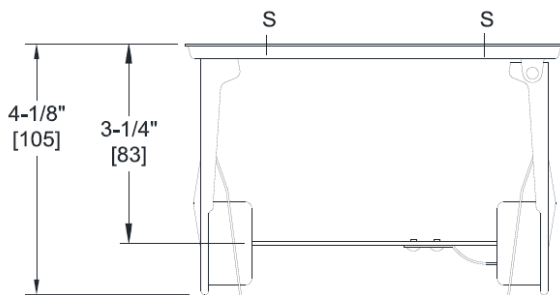


FRONT VIEW



SIDE VIEW

3/4" [19] x 3/16" [5] SLOT MOUNTING HOLES



TOP VIEW

NOTE

ALL DIM'S INCH [MM]

ILLUSTRATION FOR REF ONLY AND NTS