



## SPECIFICATION

Surface Mounted Twin Hide-A-Roll Toilet Paper Dispenser shall hold and dispense two (2) standard or two (2) 133mm diameter 1800 sheet tissue rolls and shall have door of 18 gage [1,3mm] type 304 stainless steel alloy 18-8. Cabinet body and dispensing mechanism shall be 22 gage [0,8] same grade. All exposed surfaces shall be satin finish and be protected during shipment with PVC easily removable after installation. Internal mechanism levers shall be molded high-impact resistant plastic for smooth operation. Structural assembly of body and door components shall be of welded construction. Door hinge shall be heavy-duty stainless steel 3/16" Dia [Ø4,8] rivets. Door shall be held closed with a tumbler lock keyed alike to other ASI washroom equipment. Cabinet shall include two (2) theft and vandal resistant rollers (p/n R-004) that are molded high-impact resistant plastic with integral molded-in plated steel endpins.

## INSTALLATION

Unit is surface mounted on wall or partition using four (4) 1/4" x 1" [M6 x 25] Philips pan-head self-threading screws (by others) through slots on rear wall into suitable wall preparation (by others). Top two (2) mounting holes through back are "keyhole" slots for ease in hanging unit on pre-installed screws. Bottom two (2) mounting holes are horizontal slots for ease of adjustment. For mounting height standards refer to current Building Code of Australia for able bodied and/or disabled use.


## OPERATION

Reloading instructions are printed on graphic label inside door. Bottom roll is depleted prior to top roll automatically dropping into lower position for use. Empty rollers can not be removed without key unlocking door.

## WARRANTY

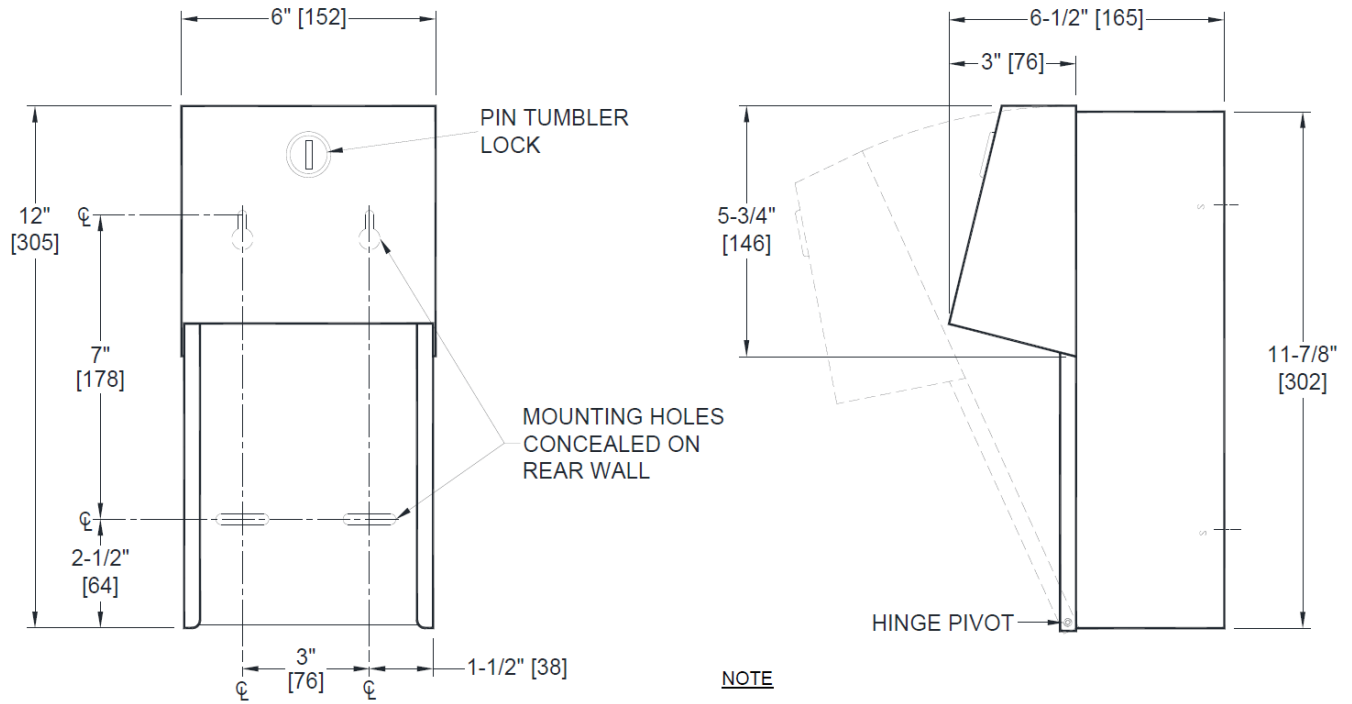
One year.

**Double Toilet Roll Holder** shall be Model No. 10-0030 as supplied by ASI JD MacDonald.

 All ASI JD MacDonald disabled compliant products when installed must be in accordance with AS1428 to ensure the specified product is complying with all washroom specification requirements.

# Double Toilet Roll Holder

Model No. 10-0030



**NOTE**

ALL DIM'S INCH [MM]

ILLUSTRATION FOR REF ONLY AND NTS

ASI JD MacDonald reserves the right to, and does from time to time, make changes and improvements in design and dimensions. The photographs and line drawings of the products in this flyer are representational only. All dimensions are in millimetres unless otherwise stated.