

Standard plummer block housing ranges





Table of contents

| | |
|--|----------|
| Introduction | 3 |
| General guidance for typical offer - by application | 4 |
| Section 1: Quarry Conveyor Pulley Range | |
| 1.1 SNH 5 Series, 30 – 140 mm metric shafts | 9 |
| Section 2: Standard Mining Conveyor Pulley range | |
| 2.1 SDVD 5 series, 60 – 140 mm metric shafts..... | 11 |
| 2.2 SDVD 31 series, 150 – 300 mm shafts..... | 13 |
| Section 3: Premium Heavy Duty Conveyor Pulley Range | |
| 3.1 FSNLD 5 SMS series, 50 – 140 mm metric shafts | 15 |
| 3.2 TSNLD 5 SMS series, 50 – 140 mm metric shafts | 17 |
| 3.3 SNLD 31/VZ2N7 SMS series, 150 – 300 mm metric shafts | 19 |
| 3.4 SDJD 31/VZ2N9 SMS series, 320 – 470 mm metric shafts..... | 21 |
| 3.5 SDD 31 SMS series, 320 – 380 mm metric shafts..... | 23 |
| Section 4: Split Plummer Block Housings Standard Range for general applications | |
| 4.1 SNL 2,3,5 and 6 series..... | 25 |
| 4.2 SNL 30,31 and 32 series..... | 29 |

Introduction

This brochure provides a simplified overview of the most common SKF housing ranges offered in the Australian market.

It is NOT an exhaustive list and does not show all possible ranges, variants or combinations of products which can be delivered by SKF.

For further details on products shown in this brochure, or for information on other SKF standard housing ranges, please refer to the following resources:

Printed publications / PDF

| | |
|--|-------------------------|
| SKF bearing housings & roller bearing units | Publ. BU/P1 13186 EN |
| Rolling bearings (SKF general catalogue) | Publ. BU/P1 17000 EN |
| SKF technologies for heavy industry conveyor pulleys | Publ. GC/P2 19238 EN.AU |
| SDVD Split Plummer Block Housings for Conveyor Pulleys | Publ TBC |

On-line resources

<https://www.skf.com/group/products/mounted-bearings/bearing-housings>

If needing to select products for specific application requirements or if needing customization of standard solutions, please contact SKF engineering helpdesk for advice: Tech.help.aus@skf.com

SKF can design and offer application-specific special housings and housing seals on request to suit customer requirement.

For customised enquiries please contact Solutionfactory.melbourne@skf.com

General guidance for typical offer - by application

| Application | Market Segment | Small range -140 mm shaft | Medium range 150 – 300 mm shaft | Large range 320 – 470 mm shaft |
|--|--|---|---|---|
| Conveyor pulleys for mining and heavy-duty applications Ductile iron housing, 4-bolt mount, taconite seals, bolt-on end cover | Iron Ore (premium performance) | FSNLD 5xx /1943405 TK 5xx ETV yyy/zzz/4 | SNLD 31xx/VZ2N7 TK xx N ETV yyy/zzz/6 | SDJD 31xx/VZ2N9 SDD 31xx/SMS.AU TK xx B ETV yyy/zzz/8 |
| | Coal & general mining (standard performance) | SDVD 5xx TKV 5xx ETV aaa/bbb/4 | SDVD 31xx TKV xx ETV aaa/bbb/4 | TK xx B ETV yyy/zzz/8 |
| Conveyor pulleys in general industry Other basic applications without specific demands Grey cast iron housing, 2-bolt mount | Quarry & basic industry (standard performance) | SNH 5xx/VZ2P3 TSN 5xx L or TST 5xx ASNH 5xx | | |
| Industrial Fans and other high-speed applications | Grease lubrication | SNL 5xx- 6yy (& variants as required) All seal options | SNL 31xx & variants TS xx (labyrinth) | n/a |
| | Oil lubrication | SONL 2xx-5yy TSO xxx | SONL 2xx-5yy TSO xxx | |
| Other standard plummer block applications with various configuration, sealing or performance needs* | Any application* | SNL 5xx- 6yy (& variants as required) All seal options | SNL 31xx & variants TSxx (labyrinth) TKxx (taconite) | |

*contact SKF Engineering if required for specific application recommendations.

Plummer Blocks

Standard offers valid January 2022

| Seal Options | Housing Material | | Mounting bolts | | 4-lip contact | V-ring | Labyrinth | Taconite | | Taconite "Kobra" | | | End Cover | |
|-------------------------------|------------------|---------|----------------|---|---------------|--------|-----------|----------|-----|------------------|------|------|-----------|---------|
| | Grey Cl | SG Iron | 2 | 4 | TSN..L | TSN..A | TSN..S | TST | TKV | TK | TK-N | TK-B | Clamp In | Bolt On |
| | | | | | | | | | | | | | | |
| SNH 5 Series | o | | o | | o | (o) | (o) | o | | (o) | | | o | |
| SNL 5 Series | o | | o | | o | o | o | o | | o | | | o | |
| SNLD 5 Series | | o | o | | o | o | o | o | | o | | | o | |
| TSNLD 5 Series 1943610 (SMS) | | o | o | | (o) | (o) | (o) | (o) | | o | | | (o) | o |
| FSNL 5 Series | o | | | o | o | o | o | o | | o | | | o | |
| FSNLD 5 Series | | o | | o | o | o | o | o | | o | | | o | |
| SDVD 5 Series | | o | | o | | | | | o | | | | | o |
| FSNLD 5 Series 1943405 (SMS) | | o | | o | (o) | (o) | (o) | (o) | | o | | | (o) | o |
| SNL 31 Series | o | | | o | | | o | | | o | | | o | |
| SNLD 31 Series | | o | | o | | | o | | | o | | | o | |
| SDVD 31 Series | | o | | o | | | | | + | | | | | o |
| SNLD 31.../VZ2N7 Series (SMS) | | o | | o | | | (o) | | | (o) | o | | (o) | o |
| SDD 3168-3180 Series (SMS) | | o | | o | | | | | | | | o | | o |
| SDJD31.../VZ2N9 Series(SMS) | | o | | o | | | | | | | | o | | o |

KEY
o standard (preferred option)
(o) possible but not preferred

Notes
The ranges shown in the table are from the SKF standard program (global or local). They are typically stock-planned, or can be ordered from SKF production with defined lead times. FSSND_TAC-VWP, SDD_TAC-VWP, CSDD_TAC-VWP are OBSOLETE and not stocked. Spares for those ranges are available on indent only, P.O.A. Those series are replaced by SDVD 5, SDVD 31, SDD SMS, SDJD 31/VZ2N9 respectively.

Typical Mining Conveyor Pulley housing assembly ranges by industry sector

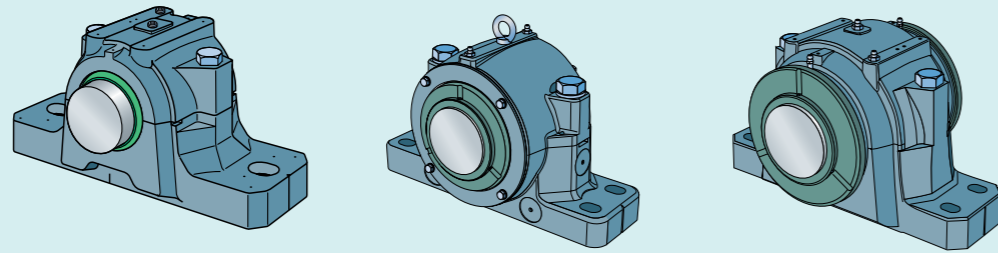
| Standard recommended solution by industry sector | | | | | |
|--|--------------|----------------|------------------------------------|---|--|
| Housing | Shaft size | Housing Series | Quarry | Standard | Premium Heavy Duty |
| | <150 mm | 5 series | SNH + TSN_L seal SNH + TST seal | SDVD + TKV seal | TSNLD SMS + TK seal FSNLD SMS + TK seal |
| | 150 - 300 mm | 31 series | SDVD + TKV seal | SDVD + TKV seal | SNLD/VZ2N7 + TK_N seal |
| | 320 - 380 mm | 31 series | | SDD SMS + TKV_B seal SDJD /VZ2N9 + TK_B seal | SDD SMS + TK_B seal SDJD /VZ2N9 + TK_B seal |
| | 400 - 470 mm | 31 series | | SDJD /VZ2N9 + TK_B seal | SDJD /VZ2N9 + TK_B seal |
| Bearing | | | Open SRB | Sealed SRB | Sealed SRB |

Comparison of housing assembly product range features & performance

| Solution features | Small range <150 mm | | | Medium range 150-300 mm | | | Large range >320 mm | |
|------------------------|---------------------|-------|--------|-------------------------|---------|---------------|---------------------|------------|
| Housing | SNH 5 | SNH 5 | SDVD 5 | FSNLD 5 | SDVD 31 | SNLD 31/VZ2N7 | SDJD 31/ | SDD 31 SMS |
| Housing seal | TSN_L | TST | TKV | SMSTK | TKV | TK_N | VZ2N9 TK_B | TK_B |
| SRB variant assumed | Open | Open | Sealed | Sealed | Sealed | Sealed | Sealed | Sealed |
| Load carrying | 0 | 0 | ++ | +++ | ++ | +++ | ++ | ++ |
| Low vibration | + | + | ++ | ++ | ++ | ++ | ++ | ++ |
| Service life | 0 | + | +++ | ++++ | +++ | ++++ | ++++ | ++++ |
| Ease of installation | +++ | 0 | ++ | + | ++ | + | + | + |
| In-situ maintenance | +++ | 0 | +++ | + | +++ | + | ++ | ++ |
| Robust seal design | 0 | + | +++ | ++ | +++ | ++ | +++ | +++ |
| Contaminant exclusion | 0 | + | ++ | +++ | ++ | +++ | +++ | +++ |
| Minimise grease supply | 0 | + | ++ | +++ | ++ | +++ | +++ | +++ |
| Compact base design | 0 | 0 | 0 | 0 | 0 | 0 | ++ | 0 |
| Minimised width | ++ | 0 | ++ | 0 | ++ | 0 | 0 | 0 |
| Purchase price | (+++) | (++) | (++) | 0 | (+) | 0 | 0 | (+) |

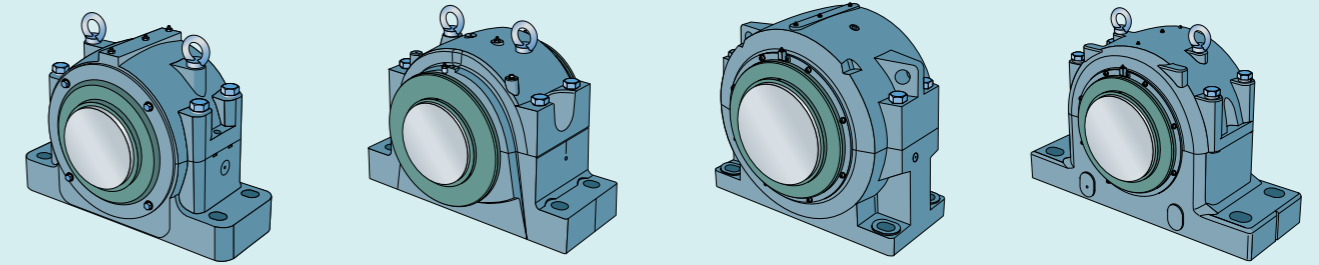
KEY
0 reference
+ superior

Conveyor pulley housings



| Series | SNH 5 | SDVD 5 | (T, F)SNLD 5 / SMS |
|---|---|--|--|
| Bearing types Spherical Roller Bearing Sealed Spherical Roller Bearing | Standard ✓ | ✓ Standard | ✓ Standard |
| Shaft diameter range from [mm] to [mm] | 30 140 | 60 140 | 50 140 |
| Shaft-bearing combination Bearing on an adapter sleeve | ✓ | ✓ | ✓ |
| Sealing solutions Lip seal Radial shaft seal V-ring seal Felt seal Labyrinth seal Taconite heavy-duty seal | Standard for pulleys - Option Option Option Standard for pulleys | - - - - - Standard | Option - Option Option Option Standard for pulleys |
| Lubrication Grease | ✓ | ✓ | ✓ |
| Materials Grey cast iron Spheroidal graphite cast iron | Standard - | - Standard | Standard (2 bolt mounting) Standard (4 bolt mount) Option (2 bolt) |
| Mounting No attachment bolts Two-bolt mounting Four-bolt mounting | - ✓ - | - - ✓ | Option (SG Iron only) * Standard (Grey cast iron) * Standard (SG iron) |
| Supersedes (SKF) | - | FSSND | - |
| Replacement for (non-SKF) series | ISO 113 standard housing SN, SSN | ISO 113 standard housing FSSN, FSSND | ISO 113 standard housing SN, SSN, SSND, FSSN, FSSND |

* Might not be stocked. Available by special order.



| Series | SDVD 31 | SNLD 31 / VZ2N7 | SDJD 31 / VZ2N9 | SDD 31 SMS |
|---|-----------------------------------|--|-----------------------------------|-----------------------------------|
| Bearing types Standard ✓ | Standard ✓ | Standard ✓ | Standard ✓ | Standard ✓ |
| Shaft diameter range from [mm] to [mm] | 150 300 | 150 300 | 320 470 | 320 380 |
| Shaft-bearing combination | ✓ | ✓ | ✓ | ✓ |
| Sealing solutions Lip seal Radial shaft seal V-ring seal Felt seal Labyrinth seal Taconite heavy-duty seal | - - - - - Standard | - - - - Option Standard | - - - - - Standard | - - - - - Standard |
| Lubrication | ✓ | ✓ | ✓ | ✓ |
| Materials Grey cast iron Spheroidal graphite cast iron | - Standard | - Standard | - Standard | - Standard |
| Mounting No attachment bolts Two-bolt mounting Four-bolt mounting | - - ✓ | - - ✓ | - - ✓ | - - ✓ |
| Supersedes (SKF) | SD, SDD TAC | SDD_SMS | CSDD SMS | SD, SDD_TAC |
| Replacement for (non-SKF) series | SD, SDD TAC | SD, SDD TAC | CSD, SDD TAC | SD, SDD TAC |

Section 1: Quarry range 30 - 140 mm shaft SNH 5 Series

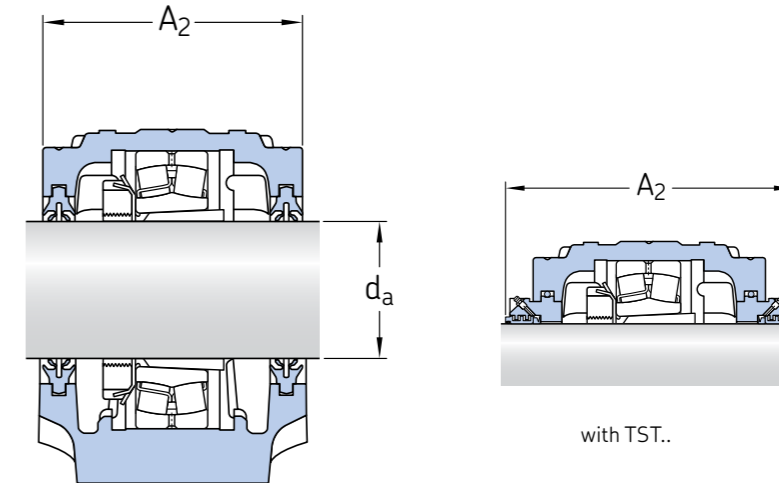


Grey cast iron only, 2-bolt mount only.

Suitable for moderate duty industrial applications without special demands for load capacity, speed, regreasing features or customization.

Typical application:
Small and medium conveyor pulleys in quarries & general industry.

1.1 SNH 5 series plummer block housings for bearings on an adapter sleeve
 d_a 30-60 mm



| Shaft diameter | Housing | Appropriate parts | | | | | Width incl. seals |
|----------------|-------------------|-------------------|----------------|---------------|----------------------|--------------|-------------------|
| | | Bearing | Adapter sleeve | Locating ring | Seals | End cover | |
| d_a | | | | | | | A_2 |
| mm | - | - | | | | | mm |
| 30 | SNH 507-606/VZ2P3 | 22207 EK | H 307/PC | FRB 5.5/72 | TSN 507 L TST 507 | ASNH 507-606 | 83 145 |
| 35 | SNH 508-607/VZ2P3 | 22208 EK | H 308/PC | FRB 8/80 | TSN 508 L TST 508 | ASNH 508-607 | 85 145 |
| 40 | SNH 509/VZ2P3 | 22209 EK | H 309/PC | FRB 3.5/85 | TSN 509 L TST 509 | ASNH 509 | 85 150 |
| 45 | SNH 510-608/VZ2P3 | 22210 EK | H 310/PC | FRB 9/90 | TSN 510 L TST 510 | ASNH 510-608 | 90 150 |
| 50 | SNH 511-609/VZ2P3 | 22211 EK | H 311/PC | FRB 9.5/100 | TSN 511 L TST 511 | ASNH 511-609 | 85 155 |
| 55 | SNH 512-610/VZ2P3 | 22212 EK | H 312/PC | FRB 10/110 | TSN 512 L TST 512 | ASNH 511-609 | 105 165 |
| 60 | SNH 513-611/VZ2P3 | 22213 EK | H 313/PC | FRB 10/120 | TSN 513 L TST 513 | ASNH 513-611 | 110 180 |
| 65 | SNH 515-612/VZ2P3 | 22215 EK | H 315/PC | FRB 12.5/130 | TSN 515 L TST 515 | ASNH 515-612 | 115 175 |
| 70 | SNH 516-613/VZ2P3 | 22216 EK | H 316/PC | FRB 12.5/140 | TSN 516 L TST 516 | ASNH 516-613 | 120 205 |
| 75 | SNH 517/VZ2P3 | 22217 EK | H 317/PC | FRB 12.5/150 | TSN 517 L TST 517 | ASNH 517 | 125 210 |
| 80 | SNH 518-615/VZ2P3 | 22218 EK | H 318/PC | FRB 12.5/160 | TSN 518 L TST 518 | ASNH 518-615 | 140 225 |
| 85 | SNH 519-616/VZ2P3 | 22219 EK | H 319/PC | FRB 12.5/170 | TSN 519 L TST 519 | ASNH 519-616 | 145 220 |
| 90 | SNH 520-617/VZ2P3 | 22220 EK | H 320/PC | FRB 12/180 | TSN 520 L TST 520 | ASNH 520-617 | 160 230 |
| 100 | SNH 522-619/VZ2P3 | 22222 EK | H 322/PC | FRB 13.5/200 | TSN 522 L TST 522 | ASNH 522-619 | 175 250 |
| 110 | SNH 524-620/VZ2P3 | 22224 EK | H 3124/PC | FRB 14/215 | TSN 524 L TST 524 | ASNH 524-620 | 185 260 |
| 115 | SNH 526/VZ2P3 | 22226 EK | H 3126/PC | FRB 13/230 | TSN 526 L TST 526 | ASNH 526 | 190 265 |
| 125 | SNH 528/VZ2P3 | 22228 CCK/W33 | H 3128/PC | FRB 15/250 | TSN 528 L TST 528 | ASNH 528 | 205 285 |
| 135 | SNH 530/VZ2P3 | 22230 CCK/W33 | HE 3130/PC | FRB 16.5/270 | TSN 530 L TST 530 | ASNH 530 | 220 295 |
| 140 | SNH 532/VZ2P3 | 22232 CCK/W33 | H 3132/PC | FRB 17/290 | TSN 532 L TST 532 | ASNH 532 | 235 315 |

Section 2.1 Standard Mining Conveyor Pulley Range

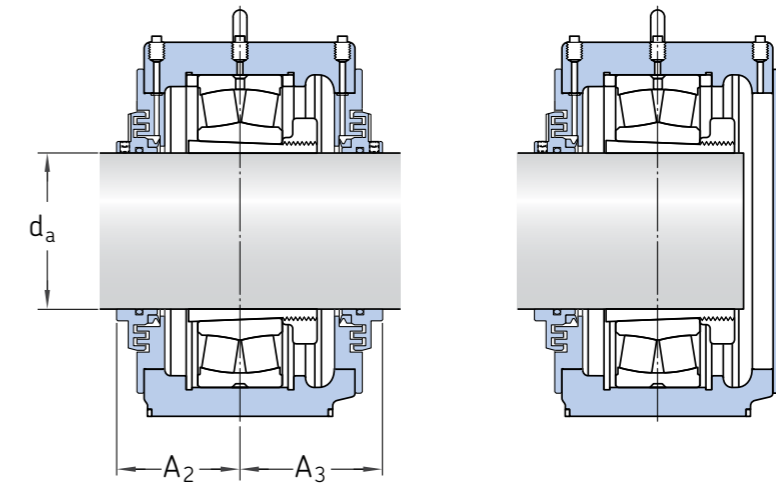


SG iron only, 4-bolt mount, Taconite seals only.

Suitable for heavy duty industrial applications in contaminated environments with heavy loads, moderate speeds and grease lubrication.

Typical application:
Small and medium conveyor pulleys in mining, mineral processing and bulk materials handling facilities.

2.1 Small SDVD 5 series plummer block housings for bearings on an adapter sleeve
 d_a 60-140 mm



| Shaft diameter | Housing | Appropriate parts | | | | | Width incl. seals | |
|----------------|----------|------------------------------------|---------------------------|-----------------------------|---------|---------------|-------------------|----------------|
| | | Bearing | Adapter sleeve | Locating ring | Seals | End cover | A ₂ | A ₃ |
| d_a | | | | | | | mm | |
| mm | - | - | | | | | | |
| 60 | SDVD 513 | BS2-2213-2RSK/VT143 22213 EK | H 2313 E/V21 H 313/PC | FRB 6.5/120 FRB 10/120 | TKV 513 | ETV 132/118/4 | 75 | 84.5 |
| 65 | SDVD 515 | BS2-2215-2RSK/VT143 22215 EK | H 315 E H 315/PC | FRB 9/130 FRB 12.5/130 | TKV 515 | ETV 140/125/4 | 75 | 84.5 |
| 70 | SDVD 516 | BS2-2216-2RSK/VT143 22216 EK | H 316 E H 316/PC | FRB 9/140 FRB 12.5/140 | TKV 516 | ETV 146/134/4 | 77 | 90 |
| 75 | SDVD 517 | BS2-2217-2RSK/VT143 22217 EK | H 317 E H 317/PC | FRB 8.5/150 FRB 12.5/150 | TKV 517 | ETV 160/144/4 | 77 | 90 |
| 80 | SDVD 518 | BS2-2218-2RSK/VT143 22218 EK | H 2318 E/L73 H 318/PC | FRB 8.5/160 FRB 12.5/160 | TKV 518 | ETV 168/152/4 | 79 | 92 |
| 90 | SDVD 520 | BS2-2220-2RS5K/VT143 22220 EK | H 2320 E/V21 H 320/PC | FRB 7.5/180 FRB 12/180 | TKV 520 | ETV 194/176/4 | 78 | 97 |
| 100 | SDVD 522 | BS2-2222-2RS5K/VT143 22222 EK | H 2322 E/V21 H 322/PC | FRB 8.5/200 FRB 13.5/200 | TKV 522 | ETV 208/188/4 | 88.5 | 108 |
| 110 | SDVD 524 | BS2-2224-2RS5K/VT143 22224 EK | H 2324 E/V21 H 3124/PC | FRB 8.5/215 FRB 14/215 | TKV 524 | ETV 226/206/4 | 94 | 115 |
| 115 | SDVD 526 | BS2-2226-2CS5K/VT143 22226 EK | H 2326 L/V21 H 3126/PC | FRB 7.5/230 FRB 13/230 | TKV 526 | ETV 236/216/4 | 99.5 | 114.5 |
| 125 | SDVD 528 | 22228-2CS5K/VT143 22228 CCK/W33 | H 3128 L H 3128/PC | FRB 10/250 FRB 10/250 | TKV 528 | ETV 260/240/4 | 101.5 | 114.5 |
| 135 | SDVD 530 | 22230-2CS5K/VT143 22230 CCK/W33 | H 3130 H 3130/PC | FRB 10/270 FRB 10/270 | TKV 530 | ETV 280/256/4 | 120.5 | 106.5 |
| 140 | SDVD 532 | 22232-2CS5K/VT143 22232 CCK/W33 | OH 3132 H H 3132/PC | FRB 10/290 FRB 10/290 | TKV 532 | ETV 300/280/4 | 108 | 124 |

Section 2.2: Standard Mining Conveyor Pulley Range

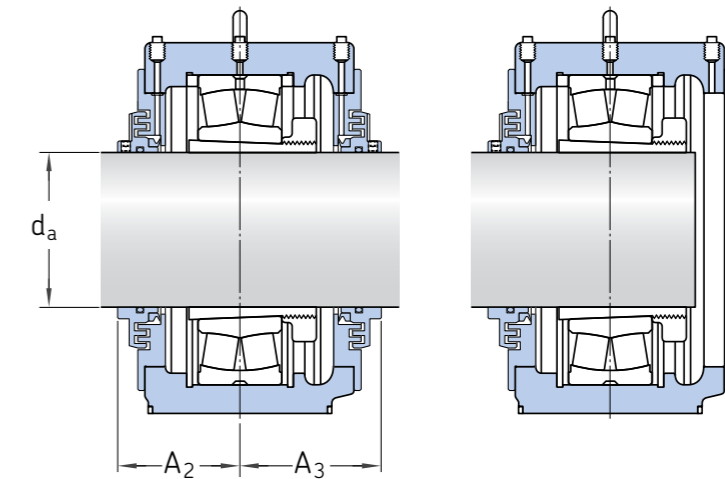


SG iron only, 4-bolt mount, Taconite seals only.

Suitable for heavy duty industrial applications in contaminated environments with heavy loads, moderate speeds and grease lubrication

Typical application:
Medium & large conveyor pulleys in mining, mineral processing and bulk materials handling facilities.

2.2 Large SDVD 31 series plummer block housings for bearings on an adapter sleeve
 d_a 150-300 mm



| Shaft diameter | Housing | Appropriate parts | | | | | | Width incl. seals | |
|----------------|------------|------------------------------------|-----------------------------|---------------|--------|-------------------|----------------|-------------------|--|
| | | Bearing | Adapter sleeve | Locating ring | Seals | End cover | A ₂ | A ₃ | |
| d_a | | | | | | | A ₂ | A ₃ | |
| mm | – | – | | | | | mm | | |
| 150 | SDVD® 3134 | 23134-2CS5K/VT143 23134 CCK/W33 | OH 3134 HE OH 3134 H/PC | FRB 10/280 | TKV 34 | ETV 290/265/4 | 133 | 133 | |
| 160 | SDVD® 3136 | 23136-2CS5K/VT143 23136 CCK/W33 | OH 3136 HL OH 3136 H/PC | FRB 10/300 | TKV 36 | ETV 310/285/4 ETV | 138 | 138 | |
| 170 | SDVD® 3138 | 23138-2CS5K/VT143 23138 CCK/W33 | OH 3138 H OH 3138 H/PC | FRB 10/320 | TKV 38 | 330/305/4 ETV | 138 | 146 | |
| 180 | SDVD® 3140 | 23140-2CS5K/VT143 23140 CCK/W33 | OH 3140 H OH 3140 H/PC | FRB 10/340 | TKV 40 | 346/315/4 ETV | 142 | 152 | |
| 200 | SDVD® 3144 | 23144-2CS5K/VT143 23144 CCK/W33 | OH 3144 HTL OH 3144 H/PC | FRB 10/370 | TKV 44 | 376/345/4 ETV | 151 | 161 | |
| 220 | SDVD® 3148 | 23148-2CS5K/VT143 23148 CCK/W33 | OH 3148 HTL OH 3148 H/PC | FRB 10/400 | TKV 48 | 406/375/4 ETV | 155 | 170 | |
| 240 | SDVD® 3152 | 23152-2CS5K/VT143 23152 CCK/W33 | OH 3152 HTL OH 3152 H/PC | FRB 10/440 | TKV 52 | 446/415/4 ETV | 165 | 176 | |
| 260 | SDVD® 3156 | 23156-2CS5K/VT143 23156 CCK/W33 | OH 3156 HTL OH 3156 H/PC | FRB 10/460 | TKV 56 | 466/435/4 ETV | 173 | 185 | |
| 280 | SDVD® 3160 | 23160-2CS5K/VT143 23160 CCK/W33 | OH 3160 HE OH 3160 H/PC | FRB 10/500 | TKV 60 | 506/475/4 ETV | 183 | 189 | |
| 300 | SDVD® 3164 | 23164-2CS5K/VT143 23164 CCK/W33 | OH 3164 H OH 3164 H/PC | FRB 10/540 | TKV 64 | 546/515/4 | 191 | 201 | |

Section 3.1 Premium Heavy Duty Conveyor Pulley Range

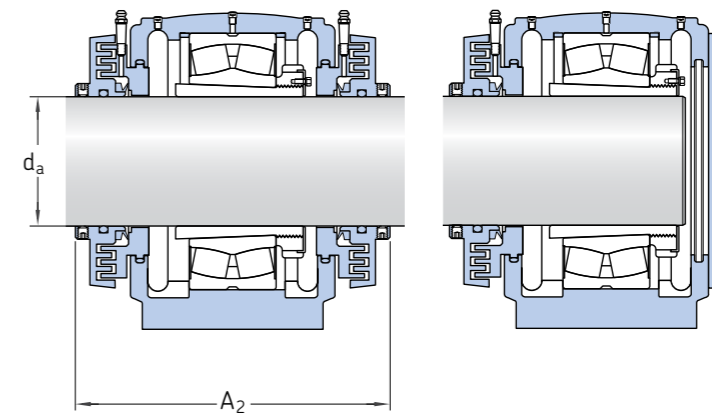


SG iron only, 4-bolt mount, Taconite seals only.

Suitable for heavy duty industrial applications in severely contaminated environments with very heavy loads, moderate speeds and grease lubrication.

Typical application:
Small and medium conveyor pulleys in mining, mineral processing and bulk materials handling facilities. Specifically developed for iron ore industry.

3.1 FSNLD 5 SMS series plummer block housings for bearings on an adapter sleeve
 d_a 50-100 mm



| Shaft diameter d_a mm | Housing | Appropriate parts | | | | | | Width incl. seals A_2 mm |
|-------------------------------|-------------------|----------------------|----------------|---------------|--------|-----------------|-----|----------------------------------|
| | | Bearing | Adapter sleeve | Locating ring | Seals | End cover | | |
| 50 | FSNLD 511/1943405 | BS2-2211-2RSK/VT143 | H 311 E | FRB 6.5/100 | TK 511 | ETV 95/85.5/4 | 165 | |
| 55 | FSNLD 512/1943405 | BS2-2212-2RSK/VT143 | H 312 E | FRB 7/110 | TK 512 | ETV 100/90.5/4 | 175 | |
| 60 | FSNLD 513/1943405 | BS2-2213-2RSK/VT143 | H 2313 E/V21 | FRB 6.5/120 | TK 513 | ETV 110/95.5/4 | 180 | |
| 65 | FSNLD 515/1943405 | BS2-2215-2RSK/VT143 | H 315 E | FRB 9/130 | TK 515 | ETV 117/105.5/4 | 186 | |
| 70 | FSNLD 516/1943405 | BS2-2216-2RSK/VT143 | H 316 E | FRB 9/140 | TK 516 | ETV 127/113/4 | 205 | |
| 75 | FSNLD 517/1943405 | BS2-2217-2RSK/VT143 | H 317 E | FRB 8.5/150 | TK 517 | ETV 135/118/4 | 210 | |
| 80 | FSNLD 518/1943405 | BS2-2218-2RSK/VT143 | H 2318 E/L73 | FRB 8.5/160 | TK 518 | ETV 140/123/4 | 225 | |
| 90 | FSNLD 520/1943405 | BS2-2220-2RS5K/VT143 | H 2320 E/V21 | FRB 7.5/180 | TK 520 | ETV 175/159/4 | 243 | |
| 100 | FSNLD 522/1943405 | BS2-2222-2RS5K/VT143 | H 2322 E/V21 | FRB 8.5/200 | TK 522 | ETV 200/172/4 | 258 | |
| 110 | FSNLD 524/1943405 | BS2-2224-2RS5K/VT143 | H 2324 E/V21 | FRB 8.5/215 | TK 524 | ETV 205/184/4 | 266 | |
| 115 | FSNLD 526/1943405 | BS2-2226-2CS5K/VT143 | H 2326 L/V21 | FRB 7.5/230 | TK 526 | ETV 215/193/4 | 272 | |
| 125 | FSNLD 528/1943405 | 22228-2CS5K/VT143 | H 3128 L | FRB 15/250 | TK 528 | ETV 230/209/4 | 289 | |
| 135 | FSNLD 530/1943405 | 22230-2CS5K/VT143 | H 3130 | FRB 16.5/270 | TK 530 | ETV 240/222/4 | 304 | |
| 140 | FSNLD 532/1943405 | 22232-2CS5K/VT143 | OH 3132 H | FRB 17/290 | TK 532 | ETV 250/228/4 | 318 | |

Section 3.2: Premium Heavy Duty Mining Conveyor Pulley Range

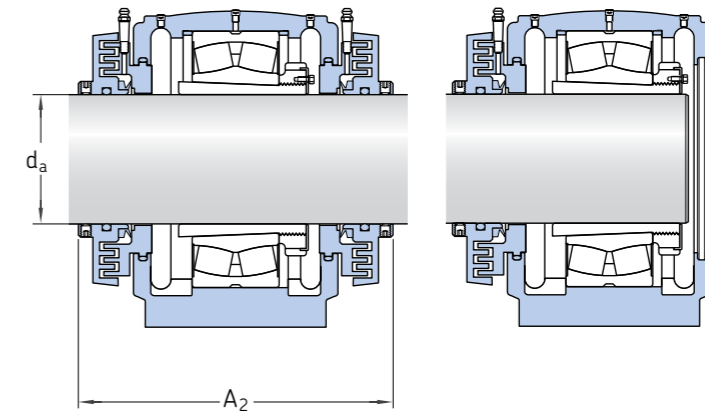


SG iron only, 2-bolt mount, Taconite seals only.

Suitable for heavy duty industrial applications in severely contaminated environments with very heavy loads, moderate speeds and grease lubrication.

Typical application:
Small and medium conveyor pulleys in mining, mineral processing and bulk materials handling facilities. Specifically developed for iron ore industry.

3.2 TSNLD 5 SMS series plummer block housings for bearings on an adapter sleeve
 d_a 50-100 mm



| Shaft diameter | Housing | Appropriate parts | | | | | Width incl. seals A_2 mm |
|----------------|-------------------|----------------------|----------------|---------------|-------|-----------------|----------------------------------|
| | | Bearing | Adapter sleeve | Locating ring | Seals | End cover | |
| d_a mm | – | – | | | | | |
| 50 | TSNLD 511/1943610 | BS2-2211-2RSK/VT143 | H 311 E | FRB 6.5/100 | TK511 | ETV 95/85.5/4 | 165 |
| 55 | TSNLD 512/1943610 | BS2-2212-2RSK/VT143 | H 312 E | FRB 7/110 | TK512 | ETV 100/90.5/4 | 175 |
| 60 | TSNLD 513/1943610 | BS2-2213-2RSK/VT143 | H 2313 E/V21 | FRB 6.5/120 | TK513 | ETV 110/95.5/4 | 180 |
| 65 | TSNLD 515/1943610 | BS2-2215-2RSK/VT143 | H 315 E | FRB 9/130 | TK515 | ETV 117/105.5/4 | 186 |
| 70 | TSNLD 516/1943610 | BS2-2216-2RSK/VT143 | H 316 E | FRB 9/140 | TK516 | ETV 127/113/4 | 205 |
| 75 | TSNLD 517/1943610 | BS2-2217-2RSK/V T143 | H 317 E | FRB 8.5/150 | TK517 | ETV 135/118/4 | 210 |
| 80 | TSNLD 518/1943610 | BS2-2218-2RSK/VT143 | H 2318 E/L73 | FRB 8.5/160 | TK518 | ETV 140/123/4 | 225 |
| 90 | TSNLD 520/1943610 | BS2-2220-2RS5K/VT143 | H 2320 E/V21 | FRB 7.5/180 | TK520 | ETV 175/159/4 | 243 |
| 100 | TSNLD 522/1943610 | BS2-2222-2RS5K/VT143 | H 2322 E/V21 | FRB 8.5/200 | TK522 | ETV 200/172/4 | 258 |
| 110 | TSNLD 524/1943610 | BS2-2224-2RS5K/VT143 | H 2324 E/V21 | FRB 8.5/215 | TK524 | ETV 205/184/4 | 266 |
| 115 | TSNLD 526/1943610 | BS2-2226-2CS5K/VT143 | H 2326 L/V21 | FRB 7.5/230 | TK526 | ETV 215/193/4 | 272 |
| 125 | TSNLD 528/1943610 | 22228-2CS5K/VT143 | H 3128 L | FRB 15/250 | TK528 | ETV 230/209/4 | 289 |
| 135 | TSNLD 530/1943610 | 22230-2CS5K/VT143 | H 3130 | FRB 16.5/270 | TK530 | ETV 240/222/4 | 304 |
| 140 | TSNLD 532/1943610 | 22232-2CS5K/VT143 | OH 3132 H | FRB 17/290 | TK532 | ETV 250/228/4 | 318 |

Section 3.3: Premium Heavy Duty Mining Conveyor Pulley Range

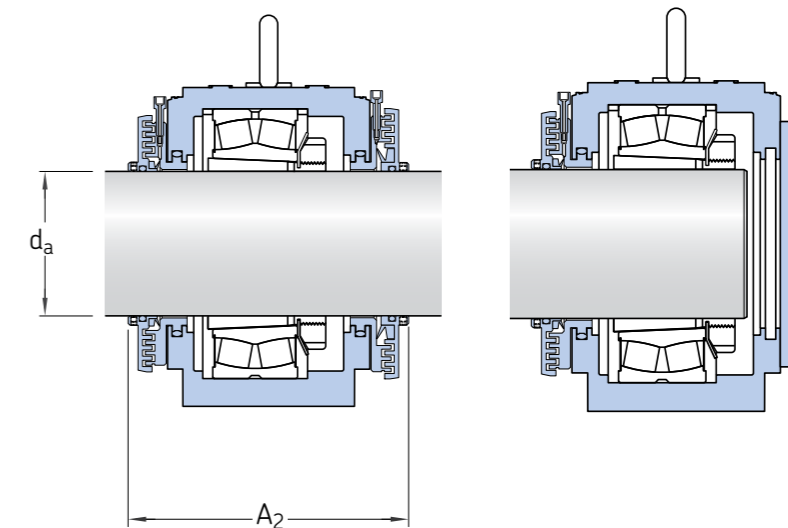


SG iron only, 4-bolt mount, Taconite seals only.

Suitable for heavy duty industrial applications in severely contaminated environments with very heavy loads, moderate speeds and grease lubrication.

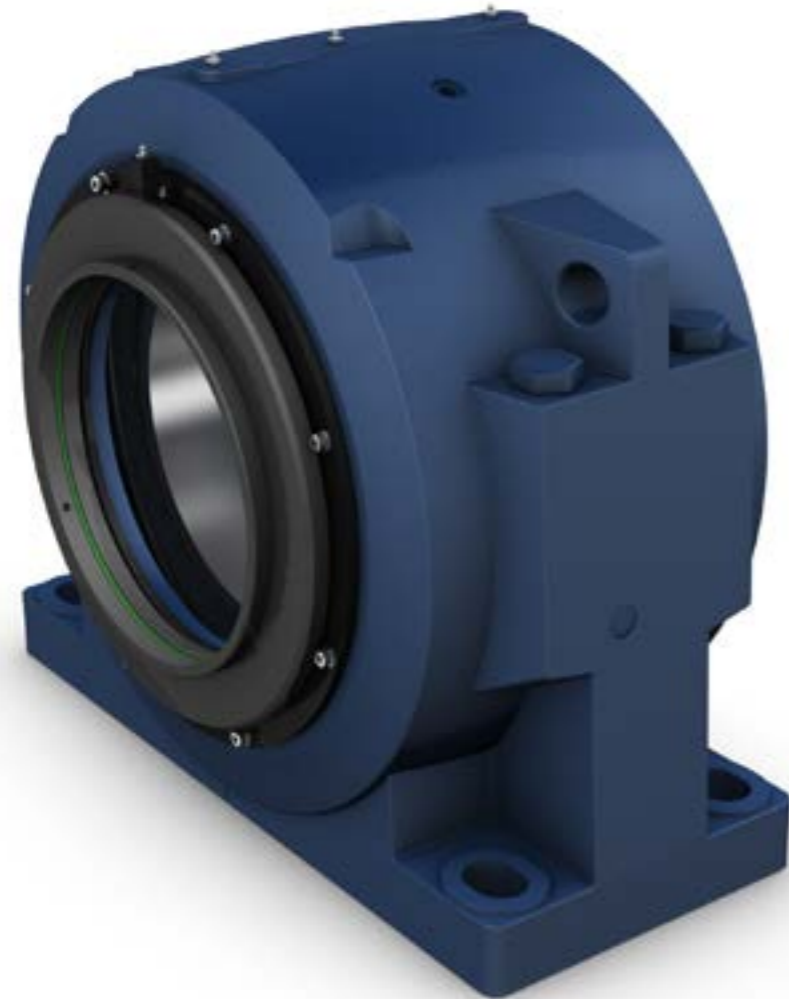
Typical application:
Medium & large conveyor pulleys in mining, mineral processing and bulk materials handling facilities. Specifically developed for iron ore industry.

3.3 SNLD 31 SMS series plummer block housings for bearings on an adapter sleeve
d_a 150-300 mm



| Shaft diameter | Housing | Appropriate parts | | | | | Width incl. seals A ₂ mm |
|----------------------|-----------------|-------------------|----------------|---------------|---------|---------------|---|
| | | Bearing | Adapter sleeve | Locating ring | Seals | End cover | |
| d _a mm | – | – | – | – | – | – | – |
| 150 | SNLD 3134/VZ2N7 | 23134-2CS5K/VT143 | OH 3134 HE | FRB 10/280 | TK 34 N | ETV 230/210/6 | 300 |
| 160 | SNLD 3136/VZ2N7 | 23136-2CS5K/VT143 | OH 3136 HL | FRB 10/300 | TK 36 N | ETV 240/220/6 | 310 |
| 170 | SNLD 3138/VZ2N7 | 23138-2CS5K/VT143 | OH 3138 H | FRB 10/320 | TK 38 N | ETV 250/230/6 | 340 |
| 180 | SNLD 3140/VZ2N7 | 23140-2CS5K/VT143 | OH 3140 H | FRB 10/340 | TK 40 N | ETV 260/240/6 | 360 |
| 200 | SNLD 3144/VZ2N7 | 23144-2CS5K/VT143 | OH 3144 HTL | FRB 10/370 | TK 44 N | ETV 280/260/6 | 370 |
| 220 | SNLD 3148/VZ2N7 | 23148-2CS5K/VT143 | OH 3148 HTL | FRB 10/400 | TK 48 N | ETV 300/280/6 | 390 |
| 240 | SNLD 3152/VZ2N7 | 23152-2CS5K/VT143 | OH 3152 HTL | FRB 10/440 | TK 52 N | ETV 320/300/6 | 400 |
| 260 | SNLD 3156/VZ2N7 | 23156-2CS5K/VT143 | OH 3156 HTL | FRB 10/460 | TK 56 N | ETV 340/320/6 | 400 |
| 280 | SNLD 3160/VZ2N7 | 23160-2CS5K/VT143 | OH 3160 HE | FRB 10/500 | TK 60 N | ETV 360/340/6 | 430 |
| 300 | SNLD 3164/VZ2N7 | 23164-2CS5K/VT143 | OH 3164 H | FRB 10/540 | TK 64 N | ETV 380/360/6 | 450 |

Section 3.4: Premium Heavy Duty Mining Conveyor Pulley Range



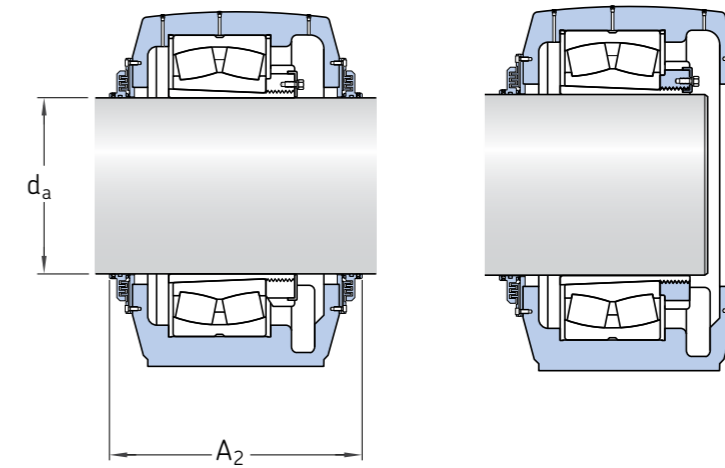
SG iron only, 4-bolt mount, bolt-on Taconite seals.

Suitable for heavy duty industrial applications in severely contaminated environments with very heavy loads, moderate speeds and grease lubrication.

Typical application:
Very large conveyor pulleys in mining, mineral processing and bulk materials handling facilities. Specifically developed for iron ore industry.

Preferred range for new projects.

3.4 SDJD 31 SMS series plummer block housings for bearings on an adapter sleeve
 d_a 320-470 mm



| Shaft diameter | Housing | Appropriate parts | | | | | Width incl. seals A_2 mm |
|----------------|-----------------|---------------------|----------------|---------------|---------|---------------|----------------------------------|
| | | Bearing | Adapter sleeve | Locating ring | Seals | End cover | |
| d_a mm | – | – | | | | | mm |
| 320 | SDJD 3168/VZ2N9 | 23168-2CS5K/VT143 | OH 3168 HE | FRB 10/580 | TK 68 B | ETV 505/485/8 | 530 |
| 340 | SDJD 3172/VZ2N9 | 23172-2CS5K/VT143 | OH 3172 HE | FRB 10/600 | TK 72 B | ETV 525/505/8 | 532 |
| 360 | SDJD 3176/VZ2N9 | 23176-2CS5K/VT143 | OH 3176 HE | FRB 10/620 | TK 76 B | ETV 545/525/8 | 560 |
| 380 | SDJD 3180/VZ2N9 | 23180-2CS5K/VT143 | OH 3180 HE | FRB 10/650 | TK 80 B | ETV 565/545/8 | 562 |
| 400 | SDJD 3184/VZ2N9 | 23184-2CS5K/VT143 | OH 3184 H/V21 | FRB 10/700 | TK 84 B | ETV 600/580/8 | 590 |
| 410 | SDJD 3188/VZ2N9 | 23188-2CS5K/VT143 | OH 3188 H | FRB 10/720 | TK 88 B | ETV 610/590/8 | 590 |
| 430 | SDJD 3192/VZ2N9 | 23192-2CS5K/VT143 | OH 3192 HE | FRB 10/760 | TK 92 B | ETV 620/600/8 | 630 |
| 450 | SDJD 3196/VZ2N9 | 23196-2CS5K/VT143 | OH 3196 H/V21 | FRB 10/790 | TK 96 B | ETV 650/630/8 | 630 |
| 470 | SDJD 41/5/VZ2P0 | 241/5-2CS5K30/VT143 | OH 241/500 H | FRB 10/830 | TK500B | ETV 670/640/8 | 650 |

Section 3.5: Premium Heavy Duty Mining Conveyor Pulley Range



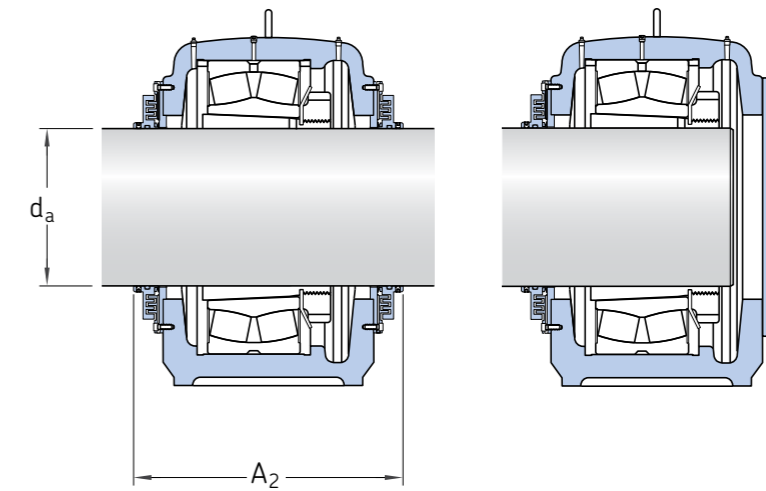
SG iron only, 4-bolt mount, Taconite seals only.

Suitable for heavy duty industrial applications in severely contaminated environments with very heavy loads, moderate speeds and grease lubrication.

Typical application:
Very large conveyor pulleys in mining, mineral processing and bulk materials handling facilities.

Alternative to SDJD range for spares on legacy pulleys.

3.5 Large SDD 31 series plummer block housings for bearings on an adapter sleeve
d_a 320-380 mm



| Shaft diameter | Housing | Appropriate parts | | | | | |
|----------------|-----------------|--------------------|----------------|---------------|---------|---------------|-------------------|
| | | Bearing | Adapter sleeve | Locating ring | Seals | End cover | Width incl. seals |
| d _a | | | | | | | A ₂ |
| mm | - | - | | | | | mm |
| 320 | SDD 3168 SMS.AU | 23168-2CS5K/VT143 | OH 3168 HE | FRB 10/580 | TK 68 B | ETV 505/485/8 | 490 |
| 340 | SDD 3172 SMS.AU | 23172-2CS5K/V T143 | OH 3172 HE | FRB 10/600 | TK 72 B | ETV 525/505/8 | 500 |
| 360 | SDD 3176 SMS.AU | 23176-2CS5K/V T143 | OH 3176 HE | FRB 10/620 | TK 76 B | ETV 545/525/8 | 512 |
| 380 | SDD 3180 SMS.AU | 23180-2CS5K/VT143 | OH 3180 HE | FRB 10/650 | TK 80 B | ETV 565/545/8 | 535 |

Section 4.1: Split Plummer Block Housings Range for general applications



The SNL series of plummer blocks is SKF's global standard range for shaft diameters between 20 – 140mm. The housing variants can be configured in multiple ways to suit a wide range of bearing series, mounting configurations, seal types and application features.

The following tables provide a brief overview of potential options.

For full details, refer to SKF publication "SKF bearing housings & roller bearing units" Publ. BU/P1.13186 EN or <https://www.skf.com/group/products/mounted-bearings/bearing-housings/split-pillow-block-housings-snl-2-3-5-6-series>

4.1 Split plummer block housings SNL 2, 3, 5 and 6 series

Bearing types

- Self-aligning ball bearings
- Spherical roller bearings
- CARB toroidal roller bearings

Bearing dimension series

- 02, 03, 22, 23, 32

Shaft diameter range

- 20 to 30 mm and 60 to 160 mm
- $\frac{3}{4}$ to $1\frac{1}{8}$ in. and $2\frac{1}{2}$ to $5\frac{1}{2}$ in.

Typical shaft-bearing combinations

- Plain shaft with bearing on an adapter sleeve
- Stepped shaft with bearing on a cylindrical seat

Seals

- Four-lip
- Labyrinth
- Felt
- V-ring
- Heavy-duty

Lubrication

- Grease

Materials

- Grey cast iron
- Spheroidal graphite cast iron

Mounting

- Two-bolt mounting
- Four-bolt mounting

Compliance to standards

- ISO 113
(two-bolt plummer block housings)

Supersedes

- SN, SNA, SNH series

SNL plummer block housings are the most popular SKF bearing housings on the market, developed to be the first choice for design, quality and economy.

SNL plummer block housings enable the incorporated bearings to achieve maximum service life with less need for maintenance. Different housing variants and seal designs are available, making the use of tailored housings virtually unnecessary and enabling cost-effective bearing arrangements to be made.

Designations

Designation system for SNL plummer (pillow) block housings

SNL_518-615 SN

Prefixes for bolt holes

| | |
|----------|---|
| F | Two oblong cast holes for attachment bolts |
| S | Four oblong cast holes for attachment bolts |
| S | No holes for attachment bolts (drilled holes can be supplied) |

Series

| | |
|------------|--------------------------------|
| SNL | Standard plummer block housing |
|------------|--------------------------------|

Material

| | |
|----------|-------------------------------|
| D | Grey cast iron |
| D | Spheroidal graphite cast iron |

Size identification

| | |
|---------------|---|
| 2(00) | Housing for bearings on a cylindrical seat, diameter series 2 |
| 3(00) | Housing for bearings on a cylindrical seat, diameter series 3 |
| 5(00) | Housing for bearings on an adapter sleeve, diameter series 2 |
| 6(00) | Housing for bearings on an adapter sleeve, diameter series 3 |
| ..(00) | Size code of the bearing, (00) x 5 = bearing bore diameter [mm] |

Suffixes¹⁾

| | |
|-------------|---|
| V | Grease escape hole in the housing base |
| TURU | Housing prepared for oil lubrication, including seals |
| T | Drilled and tapped hole 1/4-28 UNF at one side of the housing cap to lubricate a seal. Grease fitting AH 1/4-28 SAE-LT supplied with the housing |
| TD | Drilled and tapped hole 1/4-28 UNF at both sides of the housing cap to lubricate the seals. Two grease fittings AH 1/4-28 SAE-LT supplied with the housing |
| SN | Drilled and tapped M8 hole for sensor in position 3 (→ fig. 16, page 83) |
| /MS1 | Two drilled holes for attachment bolts |
| /MS2 | Four drilled holes for attachment bolts |

¹⁾ When multiple suffixes are used, they are listed in the same order as shown here.

4.1 Split plummer block housings SNL 2, 3, 5 and 6 series

Designation system for seals

TSN 518 L

Series

| | |
|------------|---|
| TSN | Seal for SNL plummer block housings |
| FS | Felt strip |
| FSB | Felt strip for high operating temperature |

Size identification

| | |
|--------------------|--|
| 2(00) | Housing for bearings on a cylindrical seat, diameter series 2 |
| 3(00) 5(00) | Housing for bearings on a cylindrical seat, diameter series 3 |
| 6(00) | Housing for bearings on an adapter sleeve, diameter series 2 |
| (00) | Housing for bearings on an adapter sleeve, diameter series 3 |
| ..(00) | Size code of the bearing, (00) x 5 = bearing bore diameter [mm] For felt strips only, number indicating the length of the strip |

Seal type

| | |
|------------|---|
| A | V-ring seal |
| C | Felt seal |
| L | Four-lip seal |
| S | Labyrinth seal |
| TK | Taconite heavy-duty seal with axial labyrinth and V-ring seal |
| TST | Taconite seal with radial labyrinth and V-ring seal |

Indication for an inch shaft

| | |
|------------|---------------------|
| A,E | Seal for inch shaft |
|------------|---------------------|

Designation system for end covers

ASNH 518-615

Series

| | |
|-------------|--|
| ASNH | End cover for SNL plummer block housings |
|-------------|--|

Size identification

| | |
|------------|-----------------------------|
| ... | Housing size identification |
|------------|-----------------------------|

Designation system for locating rings

FRB 17.5/160

Series

| | |
|------------|--|
| FRB | Locating ring for SKF bearing housings |
|------------|--|

Size identification

| | |
|------------|--|
| ... | Width and outside diameter of the locating ring [mm] |
|------------|--|

Section 4.2: Split Plummer Block Housings Range for general applications



The SNL large series of plummer blocks is SKF's global standard range for shaft diameters between 150 – 530mm. The housing variants can be configured in multiple ways to suit a wide range of bearing series, mounting configurations, seal types and application features.

The following tables provide a brief overview of potential options.

For full details, refer to SKF publication "SKF bearing housings & roller bearing units" Publ. BU/P1 13186 EN or <https://www.skf.com/group/products/mounted-bearings/bearing-housings/split-pillow-block-housings-snl-2-3-5-6-series>

4.2 Split plummer block housings SNL 30, 31 and 32 series

SNL plummer (pillow) block housings in the 30, 31 and 32 series are robust and suitable for tough operating conditions. They enable the incorporated bearings to achieve maximum service life with less need for maintenance. Different housing variants and seal designs are available, making the use of tailored housings virtually unnecessary and enabling cost-effective bearing arrangements to be made.

Bearing types

- Spherical roller bearings
- CARB toroidal roller bearings

Bearing dimension series

- 30, 31, 32
- 22, 23, 40 (for some bearings)

Shaft diameter range

- 115 to 530 mm
- 4 ⁷/₁₆ to 19 ¹/₂ in.

Typical shaft-bearing combinations

- Plain shaft with bearing on an adapter sleeve
- Stepped shaft with bearing on a cylindrical seat

Seals

- Labyrinth
- Heavy-duty
- Oil seal

Lubrication

- Grease
- Oil

Materials

- Grey cast iron
- Spheroidal graphite cast iron

Mounting

- Four-bolt mounting

Compliance to standards

- ISO 113
(four-bolt plummer block housings)

Supersedes

- SD, SDD series

Designations

Designation system for SNL plummer block housings

SNLD 3134 SN

Series

SNL Standard plummer block housing

Material

- Grey cast iron
D Spheroidal graphite cast iron

Size identification

30(00) Housing for bearings in the 30 dimension series
31(00) Housing for bearings in the 31 dimension series
32(00) Housing for bearings in the 32 dimension series
..34 to 96 Size code, related to the bearing bore size
../500 to /530 Size code, related to the bearing bore size

Suffixes¹⁾

- Housing for bearings on an adapter sleeve and a plain shaft
G Housing for bearings on a cylindrical seat and a stepped shaft
L Housing for a non-locating bearing arrangement
F Housing for a locating bearing arrangement
TURT Housing prepared for oil lubrication, including seals, for use with spherical roller bearings
TURA Housing prepared for oil lubrication, including seals, for use with CARB toroidal roller bearings
TURP Housing with seals for circulating oil lubrication systems and large axial shaft movements
V Housing with a grease escape hole in the base
T Drilled and tapped hole 1/8-27 NPSF at one side of the housing cap (opposite the lock nut) for a grease fitting
TD Drilled and tapped hole 1/8-27 NPSF at both sides of the housing cap for a grease fitting
SN Drilled and tapped M8 hole for sensors

¹⁾ When multiple suffixes are used, they are listed in the same order as shown here.

4.2 Split plummer block housings SNL 30, 31 and 32 series

Designation system for seals

TS 38
TK 88/380

Series

TS Labyrinth seal
TK Taconite seal
TSD Seal for oil lubrication

Size identification

34 to 96 Size code, related to the bearing bore size
500 to 560 Size code, related to the bearing bore size
/. Bore diameter of the seal [mm] when differing from the standard

Designation system for end covers

ETS 34
ETS 3184 R

Series

ETS End cover for SNL plummer block housings in the 30, 31 and 32 series

Size identification

... Size code, related to bearing or housing size

Suffix

R End cover for oil lubricated housings

Designation system for locating rings

FRB 12/360

Series

FRB Locating ring for SKF bearing housings

Size identification

... Width and outside diameter of the locating ring [mm]



[skf.com](https://www.skf.com)

© SKF, Cooper and SKF Explorer are registered trademarks of the SKF Group.

© SKF and TKV are registered trademarks of SKF Australia Pty Ltd.

© SKF Group 2022

The contents of this publication are the copyright of the SKF Group and may not be reproduced (even extracts) unless prior written permission is granted. Every care has been taken to ensure the accuracy of the information contained in this publication but no liability can be accepted for any loss or damage whether direct, indirect or consequential arising out of the use of the information contained herein.

PUB BU/P2 19333 EN.AU · February 2022

Certain image(s) used under license from Shutterstock.com.