

# Rigid Coupling



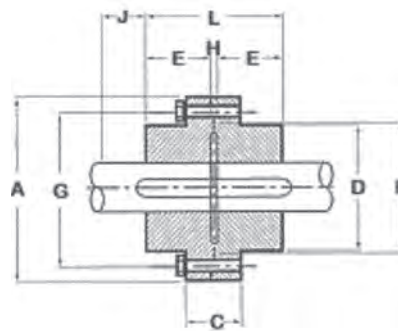
“Your Supermarket of Industrial Parts”

Rigid Couplings are used in situations where shaft alignment is essential.

A misaligned coupling can cause damage and downtime. When properly fitted this torsionally rigid coupling helps prevent any such event. Industrial World Rigid Couplings are Taper Lock ready and available in a range of sizes to accommodate almost any shaft size.

Rigid Couplings consist of 2 flanges, available in internal and external entry

(H & F). This gives two possible coupling assemblies HF and FF. When connecting horizontal shafts, choose the most convenient method. When connecting vertical shafts use assembly FF only.



Coupling	Bush	Max. Bore		A	C	D	E	F nom	G nom	H+	J*	L	Kg
		Metric	Inch										
RM12	1210	32	1 1/4	118	35	83	26	76	102	7	38	57	3.5
RM16	1615	42	1 5/8	127	43	80	38	89	105	7	38	83	4.5
RM25	2517	65	2 1/2	178	51	123	45	127	149	7	48	97	11
RM30	3020/3030	75	3	216	65	146	76	152	181	7	54	169	23
RM35	3535	90	3 1/2	248	75	178	89	178	213	7	67	185	38
RM40	4040	100	4	298	76	210	102	216	257	7	79	210	64
RM45	4545	110	4 1/2	330	86	230	114	241	286	7	89	235	88
RM50	5050	125	5	362	92	266	127	267	314	7	92	260	155

\* is the wrench clearance to allow for tightening and loosening the bush on the shaft.

+ is the distance between shaft ends.

Coupling weights calculated including average sized TL Bush.

Every effort has been taken to ensure that the data listed in this catalogue is correct. Industrial World P/L will not accept liability for any damage or loss caused as a result of the data in this catalogue.