

Curved Tooth Gear Coupling



"Your Supermarket of Industrial Parts"

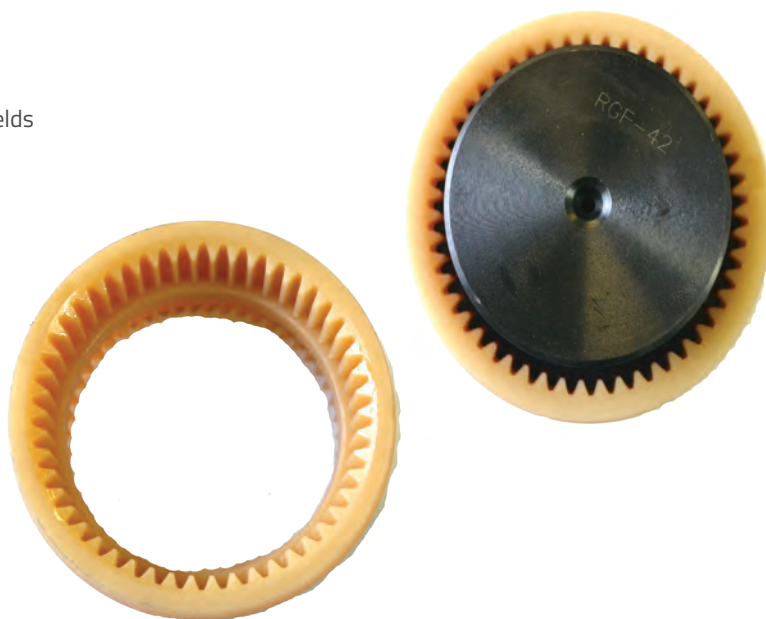
Industrial World stock a range of pilot bore Curved Tooth Gear Couplings. The Curved Tooth Gear Coupling consists of 2 geared hubs and a curved tooth nylon sleeve.

Product Characteristics:

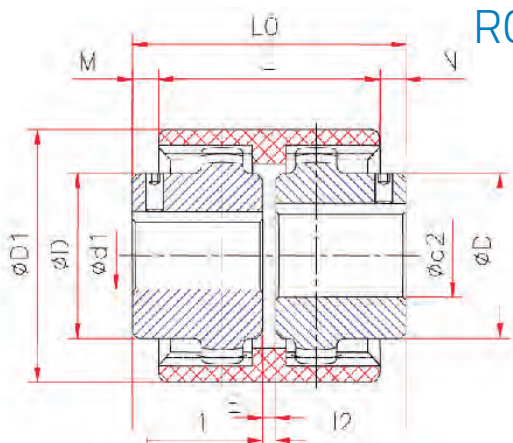
- Double-Section type curved-tooth gear coupling
- Widely applicable in various mechanical & hydraulic fields
- Nylon & steel matched, maintenance free
- Able to offset axial, radial & angular misalignments
- Axial plugging assembly, very convenient

Nylon Toothed Sleeve Characteristics:

- Excellent Mechanical Performance
- High rigidity
- High temperature resistance (+100C)
- Not embrittled at low temperature
- Good slippery & frictional behaviour
- Excellent electrical insulation behaviour
- Chemical corrosion endurable
- High Accuracy of processing



RGF Coupling



| Size | Max Bore (mm) | Dimensions (mm) | | | | | | | Torque Rating (Nm) | Weight (Kg) | |
|--------|---------------|-----------------|-----|----|------|---|-----|----|--------------------|--------------|----------|
| | | I1 I2 | LO | L | M, N | E | D1 | D | | Nylon Sleeve | Hub Half |
| RGF-19 | 19 | 25 | 54 | 37 | 8.5 | 4 | 48 | 30 | 16 | 0.03 | 0.21 |
| RGF-24 | 24 | 26 | 56 | 41 | 7.5 | 4 | 52 | 36 | 20 | 0.04 | 0.25 |
| RGF-28 | 28 | 40 | 84 | 46 | 19 | 4 | 66 | 28 | 45 | 0.07 | 0.62 |
| RGF-32 | 32 | 40 | 84 | 48 | 18 | 4 | 76 | 50 | 60 | 0.09 | 0.83 |
| RGF-38 | 38 | 40 | 84 | 48 | 18 | 4 | 83 | 58 | 80 | 0.11 | 1.04 |
| RGF-42 | 42 | 42 | 88 | 50 | 19 | 4 | 92 | 65 | 100 | 0.14 | 1.41 |
| RGF-48 | 48 | 50 | 104 | 50 | 27 | 4 | 95 | 67 | 140 | 0.16 | 1.43 |
| RGF-55 | 55 | 52 | 108 | 58 | 25 | 4 | 114 | 82 | 240 | 0.26 | 2.50 |
| RGF-65 | 65 | 55 | 114 | 65 | 23 | 4 | 132 | 95 | 380 | 0.39 | 3.58 |

Ordering Curved Tooth Gear Couplings:

RGF-XX-1 = Curved tooth gear hub half

RGF-XX-2 = Curved tooth nylon gear sleeve