

Curved Tooth Gear Coupling



"Your Supermarket of Industrial Parts"

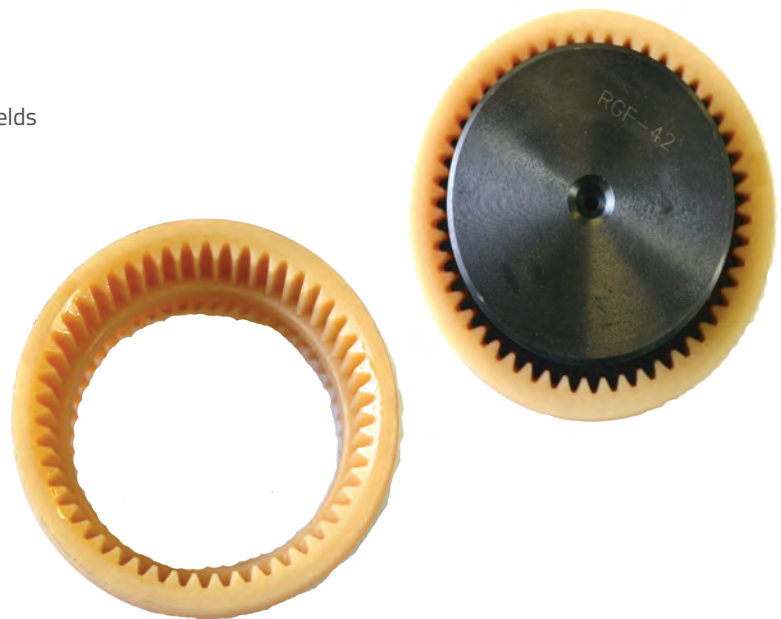
Industrial World stock a range of pilot bore Curved Tooth Gear Couplings. The Curved Tooth Gear Coupling consists of 2 geared hubs and a curved tooth nylon sleeve.

Product Characteristics:

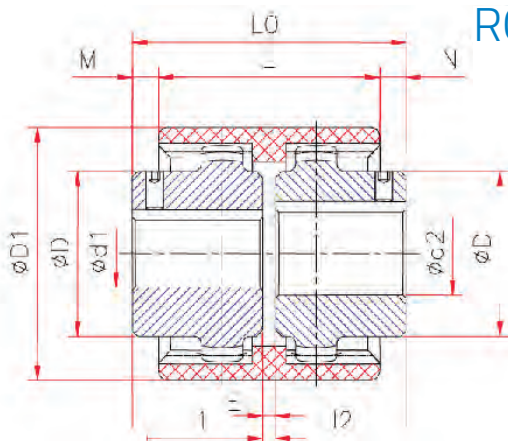
- Double-Section type curved-tooth gear coupling
- Widely applicable in various mechanical & hydraulic fields
- Nylon & steel matched, maintenance free
- Able to offset axial, radial & angular misalignments
- Axial plugging assembly, very convenient

Nylon Toothed Sleeve Characteristics:

- Excellent Mechanical Performance
- High rigidity
- High temperature resistance (+100C)
- Not embrittled at low temperature
- Good slippery & frictional behaviour
- Excellent electrical insulation behaviour
- Chemical corrosion endurable
- High Accuracy of processing



RGF Coupling



Size	Max Bore (mm)	Dimensions (mm)							Torque Rating (Nm)	Weight (Kg)	
		I1 I2	LO	L	M, N	E	D1	D		Nylon Sleeve	Hub Half
RGF-19	19	25	54	37	8.5	4	48	30	16	0.03	0.21
RGF-24	24	26	56	41	7.5	4	52	36	20	0.04	0.25
RGF-28	28	40	84	46	19	4	66	28	45	0.07	0.62
RGF-32	32	40	84	48	18	4	76	50	60	0.09	0.83
RGF-38	38	40	84	48	18	4	83	58	80	0.11	1.04
RGF-42	42	42	88	50	19	4	92	65	100	0.14	1.41
RGF-48	48	50	104	50	27	4	95	67	140	0.16	1.43
RGF-55	55	52	108	58	25	4	114	82	240	0.26	2.50
RGF-65	65	55	114	65	23	4	132	95	380	0.39	3.58

Ordering Curved Tooth Gear Couplings:
 RGF-XX-1 = Curved tooth gear hub half
 RGF-XX-2 = Curved tooth nylon gear sleeve