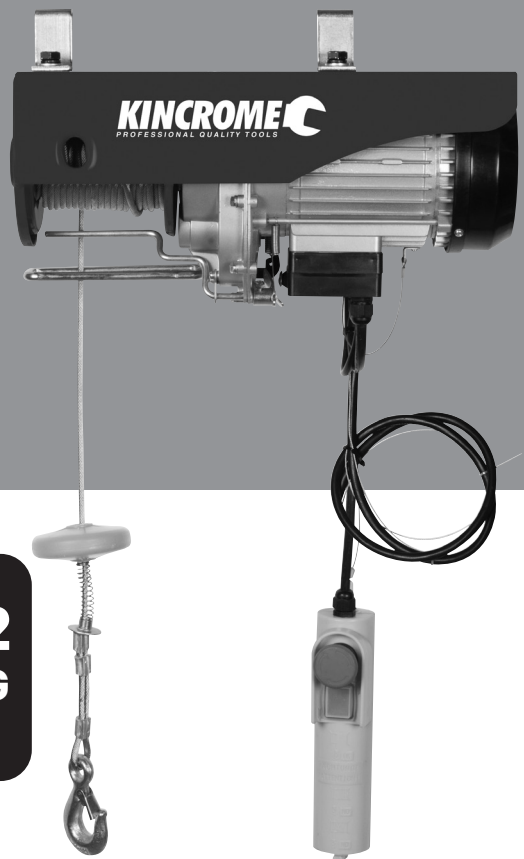


KINCROME

PROFESSIONAL QUALITY TOOLS

ELECTRIC LIFTING HOIST



COMPLIES TO
AS 1418 STANDARDS

KP1201
125/250KG

KP1202
400/800KG

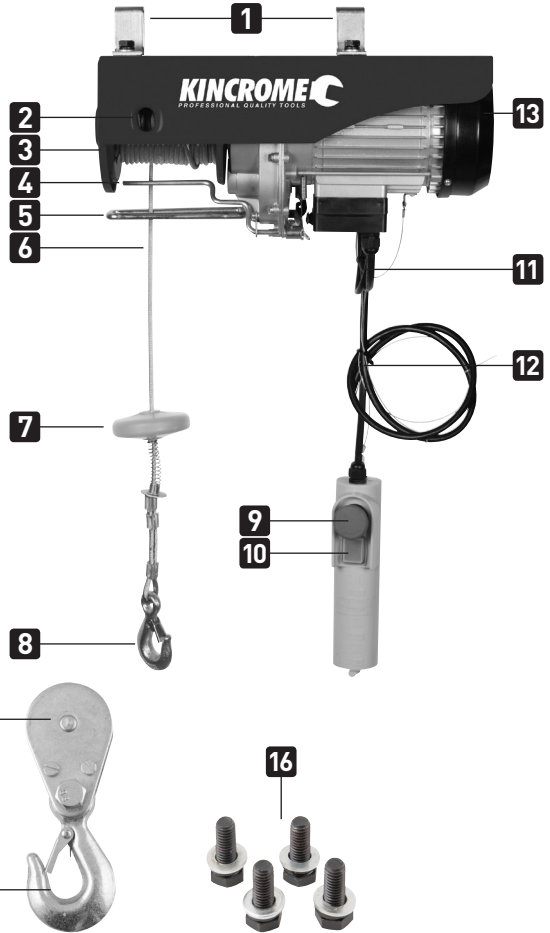
ED 2 / JULY / 15
TYPE 2

Table of Contents

Know Your Product2
 Electric Lifting Hoist Safety Instructions3
 Electric Lifting Hoist Assembly.....4
 Electric Lifting Hoist Operation6
 Warranty8

Know your product

1. Square Fastening Brackets
2. Securing Hole for Hook
3. Drum
4. Maximum Cable Length Lever
5. Auto Stop Lever
6. Steel Cable
7. Cut-Out Weight
8. Hook
9. Emergency Stop Switch
10. Up/Down Button
11. Power Cable
12. Remote Control Cable (3.0m)
13. Motor
14. Pulley Assembly
15. Additional Hook
16. Fastening Bracket Bolts



Model No:	KP1201	KP1202
Voltage	220-240 V ~ 50 Hz	220-240 V ~ 50 Hz
Duty Cycle	500W S3 20%:10 min	1300W S3 20%:10 min
Rated Load	125 / 250kg	400 / 800kg
Lifting Height	12 / 6 m	12 / 6 m
Rated Speed	8 / 4 m/min	9 / 4.5 m/min
Remote Control Cable	3m	3m
Diameter of Steel Cable	3.0 mm	5.0 mm
Product Standards (Complies to)	1418	1418
Tensile strength of the Steel Cable	1870 N/mm ²	1960 N/mm ²
Protection Class	IP 54	IP 54
Net weight (kg):	11kgs	18kgs

Note:

The electric hoist requires a duty cycle operation when lifting it's maximum capacity: S3 – 20% - 10 minutes: S3 = Intermittent mode without influencing the starting process. This means that the maximum operating period over a time of 10 minutes is 20% (2.0 minutes on and 8.0 minutes off).

General Powered Products Safety Warnings



Save all warnings and instructions for future reference.

WARNING! Read all safety warnings and all instructions. Failure to follow the warnings and instructions may result in electric shock, fire and/or serious injury.

1) Electrical Safety

- a) Always check that the mains voltage is identical to the voltage quoted on the rating plate. In the event that the mains voltage is not suitable, it may cause the machine to work abnormally and thus result in personal injury.
- b) Power lead plugs must match the outlet. Never modify the plug in any way. Do not use any adapter plugs with earthed (grounded) power tools. Unmodified plugs and matching outlets will reduce risk of electric shock.
- c) Avoid body contact with earthed or grounded surfaces, such as pipes, radiators, ranges and refrigerators.
There is an increased risk of electric shock if your body is earthed or grounded.
- d) Do not expose powered products to rain or wet conditions. Water entering a power tool will increase the risk of electric shock.
- e) Do not abuse the cord. Never use the cord for carrying, pulling or unplugging the tool.
- f) Keep cord away from heat, oil, sharp edges or moving parts.
Damaged or entangled cords increase the risk of electric shock.
- g) If operating a powered product in a damp location is unavoidable, use a residual current device (RCD) protected supply.
Use of an RCD reduces the risk of electric shock.
- h) Do not operate powered products in explosive atmospheres, such as in the presence of flammable liquids, gases or dust.
Powered products create sparks which may ignite the dust or fumes.
- i) Keep children and bystanders away while operating any powered products.
Distractions can cause you to lose control.

2) Service

- a) Have your powered product serviced by a qualified repair person using only identical replacement parts.
This will ensure that the safety of the powered product is maintained.

3) Electric Lifting Hoist Safety Instructions

- a) Do not attempt to lift loads that exceed the rated load.
- b) Use the machine only for the purpose for which it is designed. Never lift personnel using the electric lifting hoist.
- c) Do not pull the power cable in order to pull out the plug. Protect the power cable from heat, oil and sharp edges.
- d) Never attempt to raise fixed or jammed loads.
- e) Pull out the plug when the electric lifting hoist is not in use.
- f) Do not pull loads sideways or from one side. Do not allow the load to swing.
- g) Ensure that the hook moves in the same direction as shown on the control switch.
- h) Check the electric lifting hoist at regular intervals for signs of damage. The control switch must be in good condition.
- i) Repair work must only be carried out by a trained electrician, otherwise the machine may cause accidents.
- j) Minimise switching the machine on and off quickly [jogging].
- k) Always concentrate fully when operating the electric lifting hoist.
- l) Do not stand or work under the raised load.

4) Risk of Electrical Shock

- a) Never touch the mains plug and the socket with wet hands.
- b) Do not pull the plug from the socket by pulling on the connecting cable.
- c) Check the appliance and the power cord regularly for any possible damage. Don't use damaged appliances.
- d) If the supply cord is damaged, it must be replaced by the manufacturer, its service agent or similarly qualified persons in order to avoid a hazard.
- e) To avoid accidents due to electrical faults we recommend the use of sockets with a line-side current-limiting circuit breaker (max. 30 mA nominal tripping current).

Symbols on Tool

The following symbols are shown on the tool:



Wear gloves.



Read all safety warnings and all instructions.



N3709

Electromagnetic compliance (C-Tick)

ELECTRIC LIFTING HOIST USER INSTRUCTIONS

KP1201 & KP1202 Electric Lifting Hoists

Assembly and Familiarisation of your Electric Lifting Hoist

Note: Remove all of the Electric lifting hoist components from the box and check that the hoist and its accessories were not damaged during transportation. Dispose of all the packaging and materials thoughtfully and as per your local council guidelines.



WARNING: Ensure your structure can handle the additional load that could be applied once the electric lifting hoist is loaded to **double** the maximum lifting capacity. If unsure, it is recommended that you seek advice from a structural engineer (at your cost) to ensure structural integrity can be maintained.

The electric lifting hoist is supplied with square fastening brackets **(1)** which must be fastened over a rectangular tube that is part of your building/structure that has been confirmed as structurally sound or KP1204 Hoist Frame (not included).

The dimensions of the tube must conform with the size of the fastening brackets **(1)** and must be capable of supporting twice the maximum rated load of the fitted Lifting Hoist.

Note: Square Fastening brackets **(1)** internal dimensions are 46.5 x 46.5mm.

1. Locate the square fastening bracket **(1)** over your support beam or optional KP1204 Hoist Frame (not included).
2. Locate and insert the fastening bracket bolts **(16)** through the square fastening brackets **(1)** and into the top of the electric lifting hoist body and tighten securely **(fig 1)**.

Note:

KP1201 is assembled using 2 x square fastening brackets **(1)** & 4 fastening bracket bolts **(16)**

KP1202 is assembled using 3 x square fastening brackets **(1)** & 6 fastening bracket bolts **(16)**

KP1204 Hoist Frame (optional accessory not supplied) (Fig 2)

The KP1204 Hoist Frame's design is compact and is ideal for many lifting applications.

Supplied with easy to install, multi-fit fixing clamps to suit 50mm square tube section or can be mounted on to a flat beam/surface and will fit most electric lifting hoists up to 825kgs capacity.

Contact Kinchrome or visit our website at kinchrome.com.au for more information about the KP1204 Lifting Hoist Frame

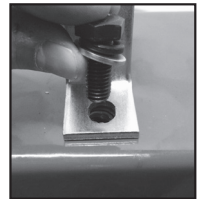


Fig 1



KP1201 square fastening brackets x 2



KP1202 square fastening brackets x 3

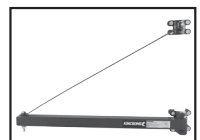


Fig 2

Before Operating

Caution: Always maintain a safe distance from the load and the steel cable (6) when operating the electric lifting hoist.

1. The electric lifting hoist is designed for lifting and lowering loads in enclosed areas within the machine's capacity.
2. The equipment is to be used only for its prescribed purpose. Any other use is deemed to be a case of misuse.
3. The user / operator and not the manufacturer will be liable for any damage or injuries of any kind caused as a result of misuse.
4. The user / operator should raise the load off the ground at the slowest possible speed.
The steel cable (6) should be taut when the load is raised.
5. Do not use the maximum cable length lever (4) and auto stop lever (5) as a routine stopping device.
It should only be used to stop the machine in an emergency.
6. Before you start, ensure that the steel cable (6) is correctly wound around the drum (3) and that the spacing between the winding is smaller than the steel cable (6) (Fig. 3).

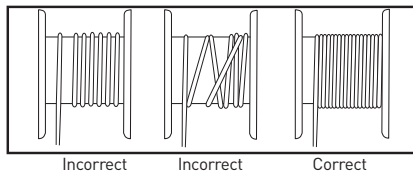
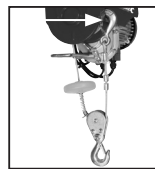


Fig 3

7. The electric lifting hoist can be used with two different cable configuration to double it's load rating:
Familiarise yourself with the two cable configurations that can be used with your electric lifting hoist:
 - A. KP1201 - 125kg single hook (Fig. 4) or 250kg with the pulley assembly (14) and additional hook (15) (Fig. 5).
 - B. KP1202 - 400kg single hook (Fig. 4) or 800kg with the pulley assembly (14) and additional hook (15) (Fig. 5).



Single hook
Fig 4



Double hook
Fig 5

8. The motor (13) of the electric lifting hoist is fitted with a thermal protection device. The thermal protection device will activate if the motor (13) overheats during operation, which will result in the motor shutting down.
The thermal protection device will automatically reset when the motor (13) has cooled down allowing the hoisting operation to continue.

Assembly of Additional Hook to Pulley Assembly

1. Fit the pulley assembly (14) and additional hook (15) as shown in Figure 6-9.
2. The additional hook (15) must be attached to the securing hole for hook (2) (Fig. 9).
3. This enables the electric lifting hoist to lift its maximum rated load.

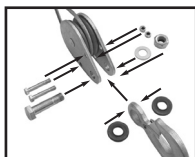


Fig 6

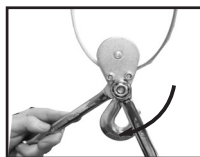


Fig 7

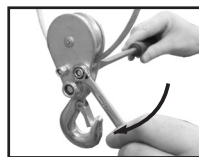


Fig 8

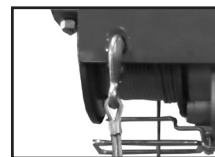


Fig 9



WARNING: The electric lifting hoist is **not** fitted with a power limiter. You should therefore not attempt to lift a load if the thermal protection device is regularly activating. In this case the load exceeds the rated capacity of the electric lifting hoist.

Operation



WARNING! Do not leave any suspended loads unsupervised without first taking the appropriate safety precautions.
Caution: Excessive "jogging" will cause premature burning of contact tips, motor overheating and premature brake wear.

Note: "Jogging" is defined as short or quick hoist operations required to position the load hook. It is accomplished by repetitively pressing the electric lifting hoist up/down buttons (10) to move the load in small increments.

Note: The electric hoist requires a duty cycle operation when lifting it's maximum capacity: S3 – 20% - 10 minutes: S3 = Intermittent mode without influencing the starting process. This means that the maximum operating period at the maximum loaded capacity over a time of 10 minutes is 20% (2.0 minutes on and 8.0 minutes off).

Raising and Lowering the Load

1. Remove the adhesive tape from the drum (3) before using the electric lifting hoist for the first time.
2. Check whether the emergency stop switch (9) is pressed. Turn the RED emergency stop switch (9) clockwise to release it if necessary.
3. To raise the load press the upper section of the up/down button (10) (Fig 10).
4. To lower the load press the lower section of the up/down button (10) (Fig 10).
5. **Auto stop lever (5):** When the maximum lifting height has been reached, the cut-out weight (7) presses the auto stop lever (5) upwards. This trips a limit switch after which the load cannot be raised any further.
6. **Lever for maximum cable length (4):** When the cable is fully unwound, a limit switch is tripped which makes it impossible to lower the load any further. This limit switch also prevents the electric lifting hoist operating in the wrong direction (cable moving in the opposite direction to the arrow shown on the control switch).
7. The electric lifting hoist will stop if the emergency stop switch (9) is pressed (Fig 12).
8. In an emergency, immediately press the emergency stop switch (9) to stop the electric lifting hoist (Fig 12).
Note: The electric lifting hoist cannot be operated if the emergency stop switch (9) has been pressed.

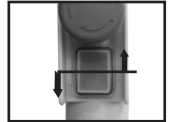


Fig 10



Fig 11



Fig 12



MAINTENANCE

WARNING! Ensure the tool is disconnected from the power supply before cleaning or maintaining the appliance.

Cleaning

1. Keep all safety devices, air vents and the motor housing free of dirt and dust as much as possible. Wipe the equipment with a clean cloth or blow it with compressed air at low pressure.
2. We recommend that you clean the electric lifting hoist regularly.
3. Do not use cleaning agents or solvents; these could attack the plastic parts of the equipment. Never let any liquid get inside the Hoist; Never immerse any part of the electric lifting hoist into a liquid.








Servicing

Caution: The steel cable (6) & pulley assembly (14) must be lubricated regularly, using a wire rope lubricant such as Nobles Wire Rope Lubricant or similar.

Important! Always ensure that the machine is not connected to the mains supply before you start any servicing work.

1. In the following:
 - One cycle means one raising and lowering movement of a load.
 - Periodic inspection means an inspection after 100 cycles.
2. Test periodically that the limit switches (4 & 5) on the electric lifting hoist are in correct working order. Conduct this test as follows: When the steel cable (6) is fully wound on the drum (3), the auto stop lever (5) will be actuated. The motor (13) must then stop (Test without a load).
3. When the steel cable (6) has fully unwound, the lever for the maximum cable length lever (4) will be actuated. The motor (13) must then stop.
4. Inspect the power cable (11) and the remote control cable (12) for damage periodically.
5. A check must be made on the steel cable every 30 cycles (refer to cable inspection table), to find whether the entire steel cable (6) is in good condition. If it is damaged, it must be replaced by a steel cable of the same type and specification.
6. Check every 1000 cycles whether the screws for the fastening brackets (1) and pulley assembly (14) is properly tightened.
7. Check every 1000 cycles whether the hooks (8 & 15) and pulley assembly (14) are in good condition.
8. Check before using the electric lifting hoist whether the Emergency Stop switch (9) and Up/Down buttons (10) are in perfect working order.
9. Check the braking system every 1000 cycles. If the motor (13) makes any unusual noises or cannot hold the maximum rated load, it is possible that the braking system requires an overhaul:
 - Replace damaged or worn parts and keep the service documentation relating to this in a safe place.
 - Please contact Kincrome customer service for advice on any unscheduled maintenance work.

Cable Inspection Table

	Stack spooling on drum (3) : Friction between excessive wraps of steel cable (6) .
	Multi Layers on drum (3) : Steel cable (6) has been crushed by layer(s) above.
	Steel cable (6) has come off the pulley assembly (14) .
	Localised wear due to abrasion on supporting structure.
	Birdcaging resulting from jamming with feeding through pulley assembly (14) .
	Birdcaging resulting from jamming while passing through the pulley assembly (14) .
	Birdcaging caused by shocks under load.

Storage

Store the equipment and accessories out of children's reach in a dark and dry place at above freezing temperature. The ideal storage temperature is between 5 and 30 °C.

Trouble Shooting

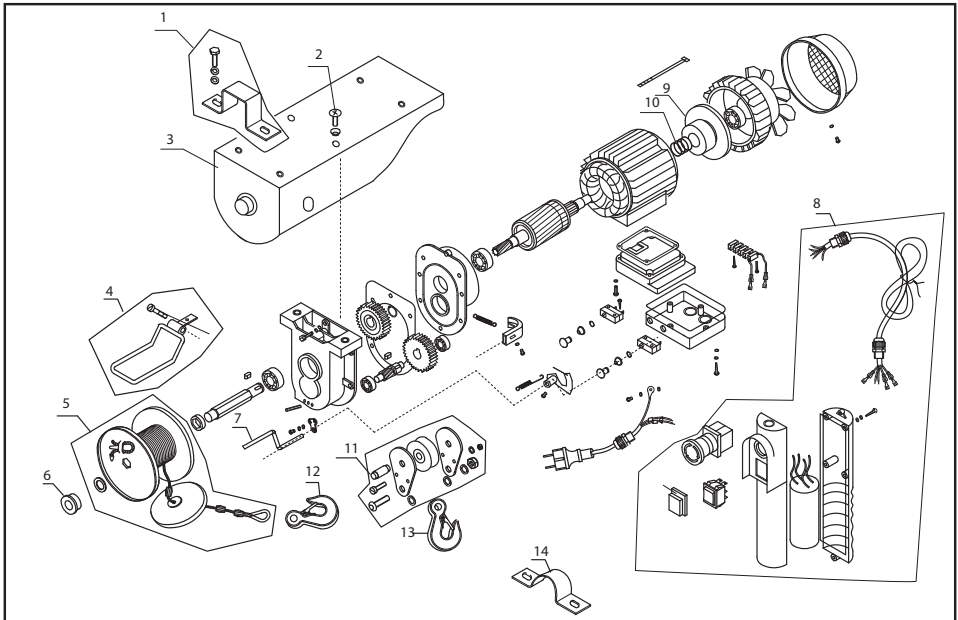
PROBLEM	CAUSES	SOLUTIONS
Electric lifting hoist won't function.	No power to the electric lifting hoist.	Check to ensure the electric lifting hoist is plugged in to mains power and the mains power is turned on.
	Emergency Stop Switch (9) activated.	Reset the emergency stop switch (9)
	Electric lifting hoist motor (13) overheated and thermal overload protection has tripped.	Reduce frequency of lifts or amount of jogging and let the electric lifting hoist cool down.
Hook will lower but not raise.	Excessive load.	Ensure the load has not exceeded the rated load as shown in the specifications of the product.
Electric lifting hoist motor (13) overheated and thermal overload protection has tripped.	Excessive load.	Ensure the load has not exceeded the rated load as shown in the specifications of the product.
	Excessive duty cycle.	Reduce frequency of lifts or amount of jogging.
	Defective motor (13) or worn bearings.	Contact Kincome customer service.
	Brake not adjusted correctly.	Contact Kincome customer service.
Electric lifting hoist will not lift rated load or does not have the proper lifting speed.	Brake not adjusted correctly.	Contact Kincome customer service.

Spare Parts**KP1201 & KP1202 Electric Lifting Hoist Spare Parts**

KP1202-01 Square Fastening Brackets
KP1202-02 Screw Counter Sunk and Washer
KP1202-03 Housing Cover
KP1202-04 Auto Stop Lever
KP1202-05 Drum and Cable Assembly (not including hook)
KP1202-06 Washer (Drum) Assembly
KP1202-07 Maximum Cable Length Lever
KP1202-08 Switch
KP1202-09 Brake Assembly

KP1202-10 Spring (brake assembly)
KP1202-11 Pulley Assembly
KP1201-12 Hook (125kg)
KP1201-13 Hook (250kg)
KP1202-12 Hook (400kg)
KP1202-13 Hook (800kg)
KP1202-14 Round Fastening Brackets

For a full list of available spare parts for this item contact Kincrome customer service or refer to the Kincrome website www.kincrome.com.au.

**12**
MONTH
WARRANTY

Warranty given by Kincrome Australia Pty Ltd of 3 Lakeview Drive, Caribbean Park, Scoresby, Victoria (Tel 1300 657 528). The applicable warranty period (12 months) commences on the date that the product is purchased. If this product has materials or workmanship defects (other than defects caused by abnormal or non warranted use) you can, at your cost, send the product to place of purchase, an authorised Kincrome service agent or one of Kincromes addresses for repair or replacement. Your rights under this warranty are in addition to any other rights you have under the Australian Consumer Law or other applicable laws. Our goods come with guarantees that cannot be excluded under the Australian Consumer Law. You are entitled to a replacement or refund for a major failure and compensation for any other reasonably foreseeable loss or damage. You are also entitled to have the goods repaired or replaced if the goods fail to be of acceptable quality and the failure does not amount to a major failure. For further details please visit www.kincrome.com.au or call us. Due to minor changes in design or manufacture, the product you purchase may sometimes differ from the one shown on the packaging.

IMPORTANT! If the Electric Hoist still fails to operate correctly after you have carried out the above operations, or in the event of anomalies other than those described above, take the Electric Hoist to an authorised service centre or place of purchase showing proof of purchase for assistance.