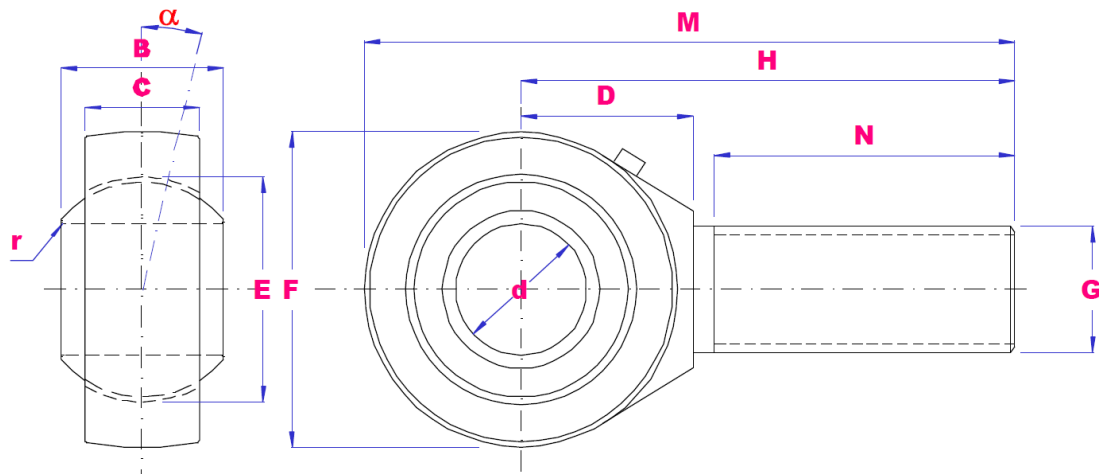


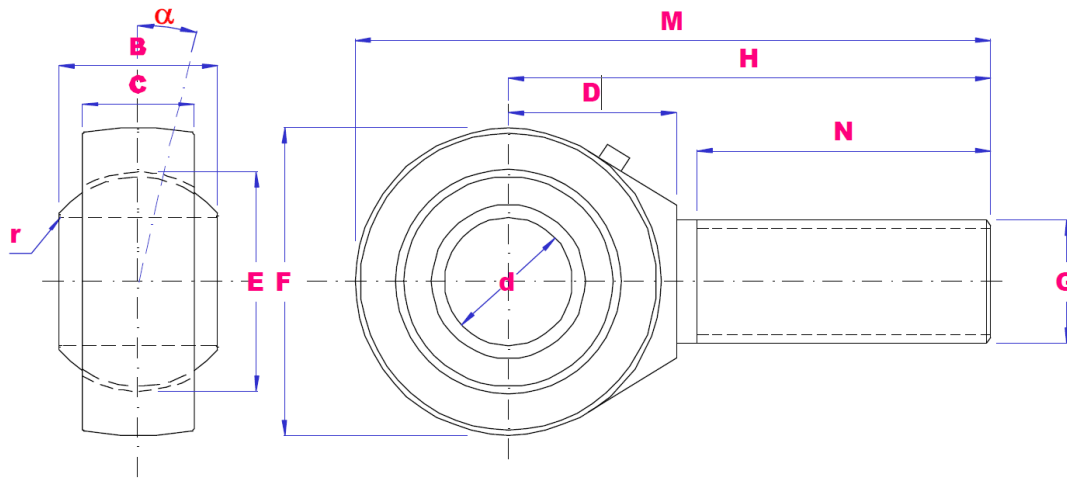
# MALE RODENDS



## METRIC RODENDS

PART NO	d	B	E	C	F	G	H	N	M	D	r	α deg	Load kN		Wgt (g)
													Dyn	Stat	
KM5MM	5	8	11.1	6	16	M5X0.8	33	35	41	-	0.3	13	3.3	3.9	16
KM6MM	6	9	12.7	6.75	18	M6X1	36	39	45	-	0.3	13	4.3	5.3	26
KM8MM	8	12	15.9	9	22	M8X1.25	42	47	53	-	0.3	14	6.8	8.5	44
KM10MM	10	14	19	10.5	26	M10X1.5	48	56	61	-	0.3	14	10	11	72
KM10MMX1.25MM	10	14	19	10.5	26	M10X1.25	48	56	61	-	0.3	14	10	11	72
KM12MM	12	16	22.2	12	30	M12X1.75	54	65	69	-	0.3	13	13	14	108
KM12MMX1.25MM	12	16	22.2	12	30	M12X1.25	54	65	69	-	0.3	13	13	14	108
KM14MM	14	19	25.4	13.5	34	M14X2	60	74	77	-	0.3	16	17	20	161
KM14MMX1.5MM	14	19	25.4	13.5	34	M14X1.5	60	74	77	-	0.3	16	17	20	161
KM16MM	16	21	28.6	15	38	M16X2	66	83	85	-	0.3	15	21	25	225
KM16MMX1.5MM	16	21	28.6	15	38	M16X1.5	66	83	85	-	0.3	15	21	25	225
KM18MM	18	23	31.8	16.5	42	M18X1.5	72	92	93	23	0.6	15	26	30	295
KM20MM	20	25	34.9	18	46	M20X1.5	78	100	101	25	0.6	15	31	35	382
KM22MM	22	28	38.1	20	50	M22X1.5	84	109	109	27	0.6	15	38	43	488
KM25MM	25	31	42.8	22	60	M24X2	94	124	124	29	0.6	15	47	65	749
KM28MM	28	35	47.6	25	66	M27X2	103	136	136	33	0.6	15	59	77	949
KM30MM	30	37	50.8	25	70	M30X2	110	145	145	39	0.6	17	63	86	1130

**FOR CORRESPONDING RODEND WITH LEFT HAND THREAD, USE PART NO KMLMM**



## IMPERIAL RODENDS

PART NO	d	B	E	C	F	G	H	N	M	D	r	α deg	Load kN		Wgt (g)
													Dyn	Stat	
VM3	4.83	7.92	11.11	6.35	15.88	10-32	31.75	19.05	39.7	-	0.3	10	3.4	3.8	13
	0.187	0.312	0.437	0.25	0.625		1.25	0.75	1.563	-	0.012				
VM4	6.35	9.53	12.7	7.14	19.05	1/4-28	39.67	25.4	49.2	-	0.3	13	4.5	6.6	22
	0.25	0.375	0.5	0.281	0.75		1.562	1.00	1.937	-	0.012				
VM5	7.94	11.11	15.88	8.74	22.23	5/16-24	47.63	31.75	58.72	-	0.3	10	6.9	8.4	37
	0.312	0.437	0.625	0.344	0.875		1.875	1.25	2.312	-	0.012				
VM6	9.53	12.7	18.26	10.31	25.4	3/8-24	49.23	31.75	61.93	-	0.3	9	9.4	10	55
	0.375	0.5	0.719	0.406	1		1.938	1.25	2.438	-	0.012				
VM7	11.11	14.27	20.62	11.11	28.58	7/16-20	53.98	34.93	68.28	-	0.6	11	11	13	78
	0.437	0.562	0.812	0.437	1.125		2.125	1.375	2.688	-	0.024				
VM8	12.7	15.88	23.81	12.7	33.32	1/2-20	61.93	38.1	78.59	-	0.6	9	15	19	120
	0.5	0.625	0.937	0.5	1.312		2.438	1.50	3.094	-	0.024				
VM10	15.88	19.05	28.58	14.27	38.1	5/8-18	66.68	41.28	85.73	18.2	0.6	11	20	21	180
	0.625	0.75	1.125	0.562	1.5		2.625	1.625	3.375	0.717	0.024				
VM12	19.05	22.23	33.32	17.45	44.45	3/4-16	73.03	44.45	95.25	20.9	0.6	10	29	29	290
	0.75	0.875	1.312	0.687	1.75		2.875	1.75	3.75	0.823	0.024				
VM16	25.4	34.93	47.63	25.4	69.85	1.1/4-12	104.8	53.98	139.7	33.9	0.6	14	60	101	1100
	1	1.375	1.875	1	2.75		4.125	2.125	5.50	1.335	0.024				

**FOR CORRESPONDING RODEND WITH LEFT HAND THREAD, USE PART NO VML**