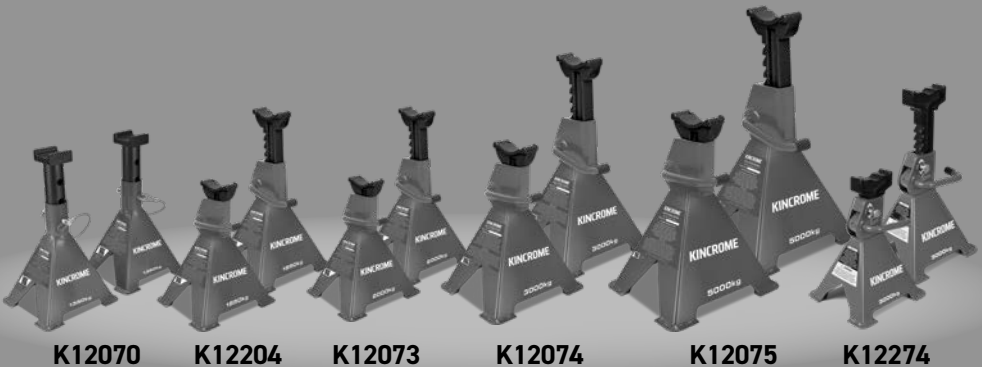


# KINCROME

## VEHICLE SUPPORT STANDS



- K12070** - Pin Vehicle Support Stands 1350kg 2 Piece
- K12204** - Ratchet Vehicle Support Stands 1850kg 2 Piece
- K12073** - Ratchet Vehicle Support Stands 2000kg 2 Piece
- K12074** - Ratchet Vehicle Support Stands 3000kg 2 Piece
- K12075** - Ratchet Vehicle Support Stands 5000kg 2 Piece
- K12274** - Pin & Ratchet Vehicle Support Stands 3000kg 2 Piece



## Specifications



Scan QR code for troubleshooting, maintenance & product information



Part No.: ..... K12070  
 Working Load Limit: ..... 1350 kg  
 Minimum Height: ..... 252mm  
 Maximum Height: ..... 370mm  
 Lift Height: ..... 120mm  
 Saddle Size: ..... 60 x 51mm  
 Base Area: ..... 195 x 170mm  
 Standard: ..... AS 2538:2016



Scan QR code for troubleshooting, maintenance & product information



Part No.: ..... K12204  
 Working Load Limit: ..... 1850 kg  
 Minimum Height: ..... 293mm  
 Maximum Height: ..... 390mm  
 Lift Height: ..... 95mm  
 Saddle Size: ..... 93 x 35mm  
 Base Area: ..... 220 x 200mm  
 Standard: ..... AS 2538:2016



Scan QR code for troubleshooting, maintenance & product information



Part No.: ..... K12073  
 Working Load Limit: ..... 2000 kg  
 Minimum Height: ..... 293mm  
 Maximum Height: ..... 424mm  
 Lift Height: ..... 131mm  
 Saddle Size: ..... 93 x 35mm  
 Base Area: ..... 215 x 191mm  
 Standard: ..... AS 2538:2016



Scan QR code for troubleshooting, maintenance & product information



Part No.: ..... K12074  
 Working Load Limit: ..... 3000 kg  
 Minimum Height: ..... 308mm  
 Maximum Height: ..... 450mm  
 Lift Height: ..... 147mm  
 Saddle Size: ..... 93 x 32mm  
 Base Area: ..... 235 x 200mm  
 Standard: ..... AS 2538:2016



Scan QR code for troubleshooting, maintenance & product information



Part No.: ..... K12075  
 Working Load Limit: ..... 5000 kg  
 Minimum Height: ..... 410mm  
 Maximum Height: ..... 614mm  
 Lift Height: ..... 204mm  
 Saddle Size: ..... 104 x 35mm  
 Base Area: ..... 280 x 310mm  
 Standard: ..... AS 2538:2016



Scan QR code for troubleshooting, maintenance & product information



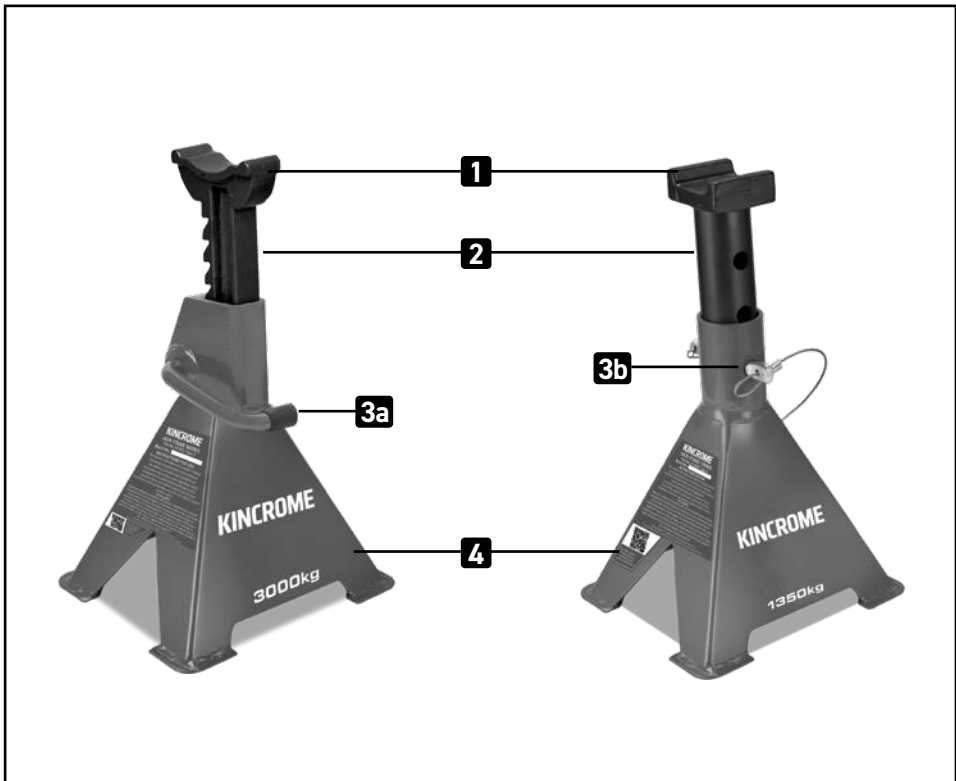
Part No.: ..... K12274  
 Working Load Limit: ..... 3000 kg  
 Minimum Height: ..... 308mm  
 Maximum Height: ..... 450mm  
 Lift Height: ..... 147mm  
 Saddle Size: ..... 93 x 32mm  
 Base Area: ..... 235 x 200mm  
 Standard: ..... AS 2538:2016

## Table of Contents

Specifications .....	2
Know Your Product .....	3
Important Safety Instructions.....	4
Vehicle Support Stands Operation.....	4-5
Vehicle Support Stands Maintenance and Storage .....	6
Warranty .....	8

## Know Your Product

1. Saddle
2. Column
- 3a. Locking Handle
- 3b. Locking Pin & flexible wire (K12070 & K12274 only)
4. Base Frame



## Safety Warnings



Save all warnings and instructions for future reference.

**WARNING!** Read all safety warnings and all instructions. Failure to follow the warnings and instructions may result in serious injury and/or death.

The use of vehicle support stands has inherent dangers. To avoid risk of personal injury or property damage make sure you are fully aware of the operating instructions for this product, the recommendations in the vehicle owners manual for jacking of your vehicle and the safe usage instruction for the jack you will use; all prior to lifting the vehicle.

Do not exceed working load limit of these support stands. These stands are intended for automotive use only. Be aware that large or heavy vehicles may exceed the stands rated capacity, check vehicle owners manual or contact the vehicle manufacturer.

Do not use for any other purpose except the supporting of a raised vehicle, never use to support any structure or building, do not lift any human load.

## Operation

### Preparing Work Area

Before using vehicle support stands and a jack to lift vehicle, it is important to prepare work area properly and CONDUCT A PRE-OPERATIONAL CHECK OF THE EQUIPMENT. Follow this procedure each time a jack and support stands are used to help prevent property damage and or serious injury.

Caution: ENSURE THAT EACH STAND IS SECURELY LOCATED UNDER A STRONG POINT OF THE VEHICLE. CONSULT THE VEHICLE MANUFACTURERS MANUAL FOR GUIDANCE. DO NOT EXTEND THE HEIGHT OF THE STAND BEYOND ITS MAXIMUM WORKING HEIGHT, NOR USE ANY ITEM SUCH AS BRICKS OR TIMBER TO SUPPORT THE VEHICLE. MODIFICATIONS MUST NOT BE CARRIED OUT OR ACCESSORIES ADDED.

1. Thoroughly inspect vehicle support stands for damage or wear before each use. Briefly test operation of unloaded stands before using to support any load.
2. Consult vehicle owner's manual for safety precautions, jacking procedure, vehicle weight, recommended jack type and location of jack and vehicle support stands areas on vehicle. **NEVER EXCEED WORKING LOAD LIMIT. CONFIRM THAT THE LOAD TO BE APPLIED DOES NOT EXCEED THE WORKING LOAD LIMIT OF THE VEHICLE SUPPORT STANDS.**
3. Clear children and others from work area before moving or lifting vehicle. Another adult should be nearby for extra safety and assistance but must be clear of vehicle as it is moved or lifted.
4. No person should remain in a vehicle that is being jacked or supported by vehicle support stands, No person should enter a vehicle which is supported by a jack or by vehicle support stands. No person should lean into a vehicle which is supported by a jack or by vehicle support stands.
5. Clear obstructions from work area. Working in tight or cluttered work areas is dangerous.
6. Be sure vehicle support stands and vehicle are on solid, level ground such as paved or concrete driveway or garage floor. USE VEHICLE SUPPORT STANDS ON A HARD LEVEL SURFACE, SUCH AS CONCRETE. Uneven or sloped surfaces create hazardous working conditions and dangerously impeded the function of the support stands.
7. With vehicle in proper position, set vehicle's parking brake or emergency brake and put gearshift in park (manual transmissions should be placed in lowest gear). Turn vehicle ignition off and to the "lock" position making sure steering wheel locks.
8. Do not rely on vehicle transmission or brakes to hold vehicle in position. CHOCK THE UNLIFTED WHEELS OF THE VEHICLE. Chock any wheel not being lifted off the ground to prevent the vehicle rolling. Using wedge-shaped blocks that tyre cannot roll over, position one chock tight against the tyre in both forward and reverse rolling paths.
9. Vehicle support stands must be used to support vehicle once it is in raised position. USE VEHICLE SUPPORT STANDS IN PAIRS. Have vehicle support stands capable of supporting vehicle weight ready nearby for use. Read and understand vehicle support stands manufacturer's instructions and safety information before use and before lifting the vehicle with this jack.
10. Plan location of jack and vehicle support stands beneath vehicle, making sure jack will be contacting only a jack support area of vehicle, and vehicle support stands are also positioned in a recommended jack support area. Consult vehicle owner's manual for

location of jack support areas. CHECK THAT NO PART OF THE UNDERBODY OF THE VEHICLE WILL FOUL AS THE STANDS ARE POSITIONED. ENSURE THAT THE LOCKING MECHANISM IS FULLY ENGAGED.

- 11. DO NOT EXTEND THE HEIGHT OF THE STAND BEYOND ITS MAXIMUM WORKING HEIGHT, NOR USE ANY ITEMS SUCH AS BRICKS OR TIMBER TO SUPPORT THE VEHICLE. MODIFICATIONS MUST NOT BE CARRIED OUT OR ACCESSORIES ADDED.**

## Lifting The Vehicle

Lifting a vehicle using a jack can be dangerous. Follow all instructions and precautions provided by the jack manufacturer. Do not lift any vehicle with its engine running or start any vehicle that is supported by jack or vehicle support stands.

1. With lifting arm completely lowered, roll jack into position beneath jack support area of vehicle.
2. Inspect position of lifting saddle beneath support area, making sure it is centered and properly engaging support area.
3. Use jack until vehicle is lifted to desired height. Pay attention to lifting saddle position as vehicle is being raised to be sure there is no danger of jack support area slipping off or lifting from the saddle.
4. Place vehicle support stands under additional vehicle support areas. **ALWAYS USE VEHICLE SUPPORT STANDS IN PAIRS.**
5. Ensure vehicle support stand locking mechanism is fully engaged.
6. Do not extend the height of the stand beyond its maximum height.
7. Check that no part of the underbody of the vehicle will foul as the stands are positioned.
8. SLOWLY lower vehicle down onto vehicle support stands.
9. Lower jack so as saddle does not bear any weight but do not remove jack from jacking position.

## Working on Vehicle

Any vehicle being supported by a Jack or Vehicle support stands creates a potentially hazardous working environment. Do not move or roll a Jack that is supporting a vehicle. Never place any part of your body beneath a vehicle supported by a Jack. Be careful of forces applied to vehicle such as torque on a nut or bolt. These forces could cause vehicle to become unstable on Vehicle support stands if they are not properly placed. Do not turn on the vehicle's ignition or attempt to start any vehicle supported by a Jack or Vehicle support stands.

## Lowering the Vehicle

**Caution!** Make certain that all personnel are clear of the vehicle before lowering. Control the rate of descent of the vehicle at all times. The more you open the Release Valve, the faster the vehicle descends.

1. Re-position jack under same support area used to lift vehicle.
2. Raise Jack until lifting saddle just makes contact with support area under vehicle.
3. Check to be sure lifting saddle is centered under support area. Slowly lift vehicle off from vehicle support stands.
4. Remove vehicle support stands, setting them aside, well clear of vehicle.
5. SLOWLY lower vehicle.
6. Carefully control speed of descending vehicle. Lowering a vehicle too fast can cause property damage or injury.

## Maintenance and Storage (Refer to Product Specifications for Maintenance QR codes)

### Cleaning

Vehicle support stands should be wiped clean with soft cloth only. Do not use gasoline, kerosene, or other such solvents or any

abrasive cleanser as cleaning agents and solvents will cause deterioration of the rust protection coating.

## Storage

Store vehicle support stands level, in a clean environment preferably indoors, in a dry area to protect vehicle support stands from moisture.

## Repairing Vehicle Support Stands

There are no user serviceable parts. Only trained, licensed and certified repair personnel should attempt any repairs or replacing of parts. Any modifications to this product, except those performed by the manufacturer, or their designee, will void all warranties both written and implied.

## Office Contact Details:

Phone: +61 3 9730 7100



Fax: 1300 556 005



Email: [enquiries@kincrome.com.au](mailto:enquiries@kincrome.com.au)



Website: [www.kincrome.com.au](http://www.kincrome.com.au)



### Caring for the environment

When a vehicle support stands is no longer usable it should not be disposed of with household waste, but in an environmentally friendly way.

Please recycle where facilities exist. Check with your local council authority for recycling advice.

Recycling packaging reduces the need for landfill and raw materials. Reuse of recycled material



decreases pollution in the environment. Please recycle packaging where facilities exist. Check with your local council authority for recycling advice.





## Office Contact Details:



Phone: +61 3 9730 7100



Fax: 1300 556 005



Email: [enquiries@kincrome.com.au](mailto:enquiries@kincrome.com.au)



Website: [www.kincrome.com.au](http://www.kincrome.com.au)

# **KINCROME**

[www.kincrome.com.au](http://www.kincrome.com.au)



Warranty given by Kincrome Australia Pty Ltd of 3 Lakeview Drive, Caribbean Park, Scoresby, Victoria (Tel +61 3 9730 7100). The applicable warranty period (24 months) commences on the date that the product is purchased. If this product has materials or workmanship defects (other than defects caused by abnormal or non warranted use) you can, at your cost, send the product to place of purchase, an authorised Kincrome service agent or one of Kincromes addresses for repair or replacement. Your rights under this warranty are in addition to any other rights you have under the Australian Consumer Law or other applicable laws. Our goods come with guarantees that cannot be excluded under the Australian Consumer Law. You are entitled to a replacement or refund for a major failure and compensation for any other reasonably foreseeable loss or damage. You are also entitled to have the goods repaired or replaced if the goods fail to be of acceptable quality and the failure does not amount to a major failure. For further details please visit [www.kincrome.com.au](http://www.kincrome.com.au) or call us. Due to minor changes in design or manufacture, the product you purchase may sometimes differ from the one shown on the packaging.

Distributed by Kincrome Tools and Equipment  
[www.kincrome.com.au](http://www.kincrome.com.au)  
3 Lakeview Drive Scoresby Victoria  
Phone: +61 3 9730 7100