



EL SERIES

SERVICE INSTRUCTIONS

G10010 Trigger Action Grease Gun

Description

Model G10010 is a trigger action 450gm grease gun capable of generating a maximum pressure of up to 7,000 psi. It comes standard with a 30cm flexible extension & a 4 jaw coupler for those difficult to get at lubrication points. The G10010 has a 600gm capacity when using bulk grease & delivers up to 0.80 grams of grease per stroke. The G10010 is suitable for most grease up to NLGI2.

Specifications

Uses	450gm Grease Cartridges, Suction loading, Bulk loader pump from bulk grease drum.
Capacity	450gm or 600gm bulk grease
Pressure Capabilities	Nominal: 6,000 psi. Maximum: Up to 7,000 psi grease pressure
Delivery	0.80 grams per stroke
Weight	1.5kg

Operating Instructions

There are two ways to fill the gun with grease:

A) 450gm Grease Cartridge:

Unscrew the grease barrel from the gun and insert the 450gm grease cartridge by holding the barrel assembly & pulling the rod back. Remove cap from the grease cartridge, insert the cartridge into the barrel & then rescrew the barrel assembly back onto the gun so that the cartridge sits well against the follower cup. Once in position, press the clamp down & push the rod firmly back into the barrel.

When using the gun with a cartridge, the follower cup must be folded back. The gun is supplied standard with the follower cup in this position.

B) Bulk Grease Loading:

When using the gun with bulk grease, the follower cup does not need to be changed to the forward position like other grease guns. Please leave the follower plate as it is, folded back.



Maintenance

Cleaning: always keep the follower cup free of impurities. Your grease should be clear of any foreign particles, dirt etc and the gun should be checked and cleaned regularly.

Troubleshooting

AIR POCKETS IN GREASE: If the gun is pumped but no grease appears from the coupler:

Depress the air bleeder valve on the head and pump a few strokes. Unscrew the barrel assembly from the gun head with two or three turns and then push on the plunger rod. With the follower cup engaged, the follower cup will move further down into the barrel venting any trapped air out through the thread connections between the barrel and head. Unscrew the flexible extension as well.

Head Office NSW
TEL: (02) 9939 0711
FAX: (02) 9939 0411

VIC
TEL: (03) 8787 8288
FAX: (03) 8787 8266

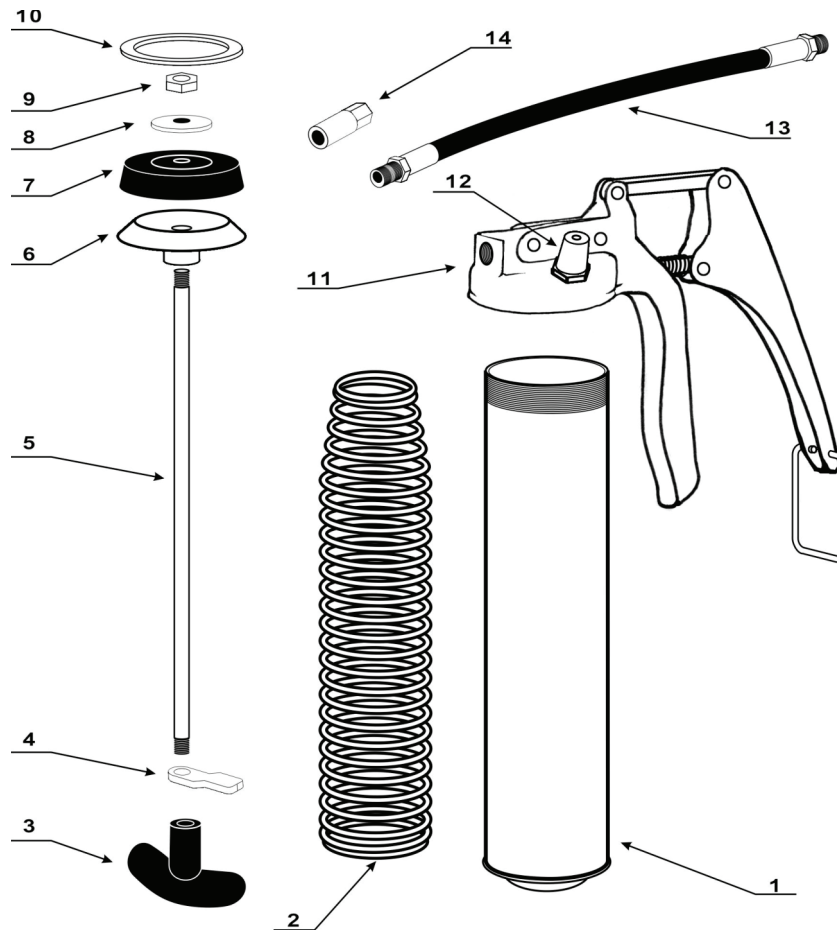
QLD
TEL: (07) 3889 8480
FAX: (07) 3889 8490

SA/NT
TEL: (08) 8241 7111
FAX: (08) 8241 7011

WA
TEL: (08) 9209 3066
FAX: (08) 9209 3933

TAS
TEL: (03) 6343 0477
FAX: (03) 6343 0911

Parts And Drawing Breakdown G10010



Ordering Spare Parts

Parts List – Part No. G10010

Item Number	Part Number	Product Description	Quantity
1	G10010-1	Barrel	1
2	G10010-2	Spring	1
3	G10010-3	T-grip handle	1
4	G10010-4	Arrestor clamp	1
5	G10010-5	Piston Rod	1
6	G10010-6	Disc Position Holder	1
7	G10010-7	Follower Cup Rubber	1
8	G10010-8	Disc	1
9	G10010-9	Hex Nut	1
10	G10010-10	Head Seal	1
11	G10010-11	Complete Head Assembly	1
12	G10010-12	Relief Valve/Bulk loader pump valve	1
13	14551	Flexible Extension	1
1,2,3,4,5,6,7,8,9	G10010-BA	Complete Barrel Assembly	1
6,7,8,9	G10010-FC	Follower Cup Assembly	1

Head Office NSW
TEL: (02) 9939 0711
FAX: (02) 9939 0411

VIC
TEL: (03) 8787 8288
FAX: (03) 8787 8266

QLD
TEL: (07) 3889 8480
FAX: (07) 3889 8490

SA/NT
TEL: (08) 8241 7111
FAX: (08) 8241 7011

WA
TEL: (08) 9209 3066
FAX: (08) 9209 3933

TAS
TEL: (03) 6343 0477
FAX: (03) 6343 0911