

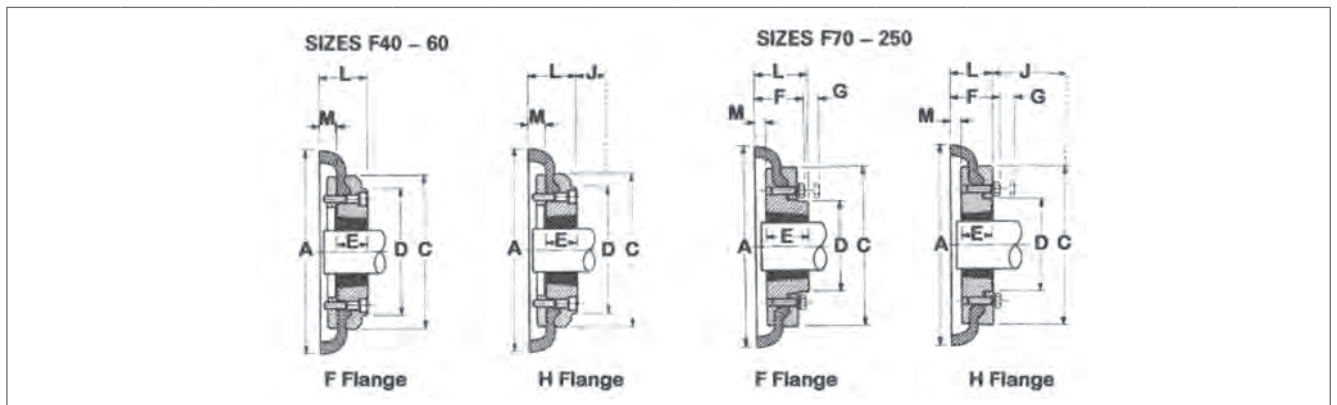
"Your Supermarket of Industrial Parts"

Industrial World stock a range of the highly flexible Tyre Couplings. Consisting of two flanges, the two halves are joined by a rubber tyre. The tyre itself is torsionally soft and flexible; this allows the Tyre Coupling to compensate for large amounts of shock loading and backlash, as well as both parallel and axial misalignment. Industrial also source all tyres in the Fire Resistant Anti-Static (FRAS) compound for those certain sensitive environments.

Highly Flexible

Compensates for misalignment, upto; 4° angular, 6mm parallel, 8mm axial.
Torsional flexibility of upto 12°, at max. torque.

Size	Power @ 100 rpm in Kw	Nominal Torque	Max. Speed rpm	Bore B		Bush F	Bush H	Max. Misalignment		End Float
				Max.	Min.			Parallel	Angular	
F40	0.26	25	4500	25	10	1008	1008	1.1	4	1.3
F50	0.69	66	4500	32	11	1210	1210	1.3	4	1.7
F60	1.33	127	4000	42	14	1610	1610	1.6	4	2
F70	2.62	250	3600	50	14	2012	1610	1.9	4	2.3
F80	3.93	375	3100	65	14	2517	2012	2.1	4	2.6
F90	5.24	500	3000	65	16	2517	2517	2.4	4	3
F100	7.07	675	2600	75	16	3020	2517	2.6	4	3.3
F110	9.20	875	2300	75	24	3020	3020	2.9	4	3.7
F120	13.9	1300	2050	100	24	3525	3020	3.2	4	4
F140	24.3	2320	1800	100	35	3525	3525	3.7	4	4.6
F160	39.4	3770	1600	115	40	4030	4030	4.2	4	5.3
F180	65.7	6270	1500	125	55	4535	4535	4.8	4	6



Size	A	C	D	E		F	L		G	J	M	Kg	
				F	H		F	H				F	H
F40	104	82	-	22	22	-	33.5	33.5	N/A	29	11	0.8	0.8
F50	133	100	79	25	25	-	38	38	N/A	38	12.5	1.2	1.2
F60	165	125	103	25	25	-	42	42	N/A	36	16.5	2.0	2.0
F70	187	144	80	32	25	50	44	42	13	36	11.5	3.1	3.0
F80	211	167	98	45	32	54	58	45	16	42	12.5	4.9	4.6
F90	235	188	108	45	45	60	59	59	16	48	13.5	7.0	7.0
F100	254	216	120	51	45	62	65	59	16	48	13.5	9.9	9.4
F110	279	233	134	51	51	62	63.5	63.5	16	55	12.5	11.7	11.7
F120	314	264	140	65	51	67	78.5	65.5	16	67	14.5	16.5	16.9
F140	359	311	178	65	65	73	81	81	14	67	16	22.3	22.3
F160	402	345	197	77	77	78	92	92	16	80	15	32.5	32.5
F180	470	398	205	90	90	94	112	112	19	89	23	42.2	42.2

J is the clearance required for tightening and loosening the bush on the shaft
G is the distance required to release the clamping screws

