

Chain Coupling

The Industrial World Chain Coupling consists of two sprockets joined together by standard duplex roller chain. This highly compact structure provides high flexibility between shafts, power transmission capabilities and is durable and robust.

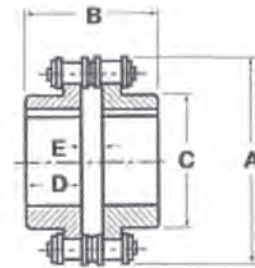
Chain Couplings allow for easy maintenance, it is a simple easy on/easy off process. Industrial World Chain Couplings are supplied with casings standard.

Chain Coupling Ratings

Coupling	Min. Bore	Max. Bore	Max. RPM		Weight Kg
			Without Cover	With Cover	
C4012	14	22	875	5000	0.73
C4016	16	32	875	5000	1.5
C5016	18	40	800	4000	2.75
C5018	18	45	800	4000	3.6
C6018	22	56	675	3000	6.55
C6022	28	71	675	3000	10.4
C8018	32	80	500	2000	13.2
C8022	40	100	500	2000	21.8
C10020	45	110	450	1800	32.4

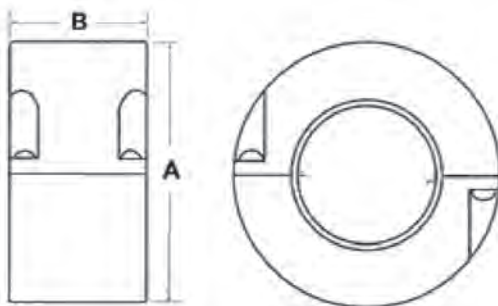


Coupling	A	B	C	D	E	K(2)
C4012	62	79.4	36	36	7.4	-
C4016	77	87.4	51.5	40	7.4	0.75
C5016	96	99.7	64	45	9.7	-
C5018	106	99.7	73.5	45	9.7	1.06
C6018	127	123.5	89.5	56	11.5	-
C6022	151	123.5	116	56	11.5	1.38
C8018	169	141.2	115	63	15.2	-
C8022	202	157.2	142	71	15.2	2.06
C10020	233	178.8	162	80	18.8	2.34



Straight Bore Chain Coupling

For increased safety Chain Coupling covers should be used. The cover not only improves the safety of the work place but also increases the Chain Couplings overall durability.



Coupling Covers	Cover Required when RPM Exceeds	A	B	Weight
C4012	875	77	72	0.3
C4016		92	72	0.35
C5016	800	110	87	0.5
C5018		122	85	0.6
C6018	675	147	105	1.2
C6022		168	117	1.2
C8018	500	190	129	1.9
C8022		226	137	2.7
C10020	450	281	153	4.1

(2) Space required to loosen bushing with shortened hex key