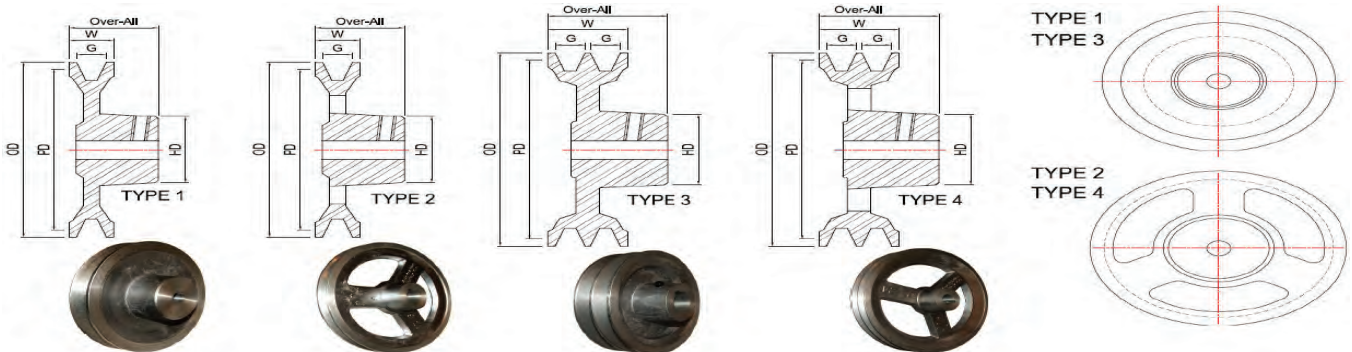


Aluminium V-Pulleys (Made in Australia)

Aluminium Pulleys that are manufactured in Australia.

In addition to the below stocked range, we can supply specific bore sizes made to order.



A Section

PCD		No of Grooves	Type	OD	W	HD	G	Over-All	LTB	Grub Screw	1/2"	5/8"	3/4"	1"
Inches	mm										No Key	3/16" Key	3/16" Key	1/4" Key
1.25	32	1	1	41	19	35	12.7	38	34	5/16" UNC	✓	✓	✓	
1.5	38	1	1	49	19	35	12.7	38	34	5/16" UNC	✓	✓	✓	
1.75	44	1	1	54	19	39	12.7	38	34	5/16" UNC	✓	✓	✓	
2	50	1	1	61	19	40	12.7	38	34	5/16" UNC	✓	✓	✓	✓
		2	3		34	41		55	49	5/16" UNC	✓	✓	✓	✓
2.25	57	1	1	67	19	39	12.7	38	33	5/16" UNC	✓	✓	✓	✓
2.5	63	1	1	74	19	43	12.7	55	33	5/16" UNC	✓	✓	✓	✓
		2	3		34	43		38	48	5/16" UNC	✓	✓	✓	✓
2.75	70	1	1	79	19	43	12.7	36	32	5/16" UNC	✓	✓	✓	✓
3	76	1	1	86	19	43	12.7	38	35	5/16" UNC	✓	✓	✓	✓
		2	3		34	49		55	43	5/16" UNC	✓	✓	✓	✓
3.25	82	1	1	92	19	45	12.7	48	35	5/16" UNC	✓	✓	✓	✓
3.5	89	1	1	99	19	44	12.7	36	35	5/16" UNC	✓	✓	✓	✓
		2	3		34	49		55	43	5/16" UNC	✓	✓	✓	✓
4	102	1	1	112	19	46	12.7	48	47	5/16" UNC	✓	✓	✓	✓
		2	3		34	46		50	42	5/16" UNC	✓	✓	✓	✓
4.5	114	1	1	124	19	47	12.7	38	35	5/16" UNC	✓	✓	✓	✓
		2	3		34	48		56	45	5/16" UNC	✓	✓	✓	✓
5	127	1	1	137	19	48	12.7	40	37	5/16" UNC	✓	✓	✓	✓
		2	3		34	49		51	41	5/16" UNC	✓	✓	✓	✓
5.5	140	1	2	150	19	49	12.7	40	36	5/16" UNC	✓	✓	✓	✓
		2	3		34	50		54	46	5/16" UNC	✓	✓	✓	✓
6	152	1	2	163	19	49	12.7	40	37	5/16" UNC	✓	✓	✓	✓
		2	4		34	55		53	44	5/16" UNC	✓	✓	✓	✓
6.5	165	1	2	176	19	52	12.7	40	37	5/16" UNC	✓	✓	✓	✓
7	178	1	2	189	19	57	12.7	40	38	5/16" UNC	✓	✓	✓	✓
		2	4		34	57		53	44	5/16" UNC	✓	✓	✓	✓

A Section

PCD		No of Grooves	Type	OD	W	HD	G	Over-All	LTB	Grub Screw	1/2"	5/8"	3/4"	1"
Inches	mm										No Key	3/16" Key	3/16" Key	1/4" Key
8	203	1	2	215	20	55	12.7	45	42	5/16" UNC	✓	✓	✓	✓
		2	4		34	55		68	47	5/16" UNC	✓		✓	✓
9	229	1	2	248	20	55	12.7	44	42	5/16" UNC	✓	✓	✓	✓
		2	4		34	55		55	47	5/16" UNC	✓		✓	✓
10	254	1	2	265	20	55	12.7	49	47	5/16" UNC	✓	✓	✓	✓
		2	4		34	55		59	49	5/16" UNC	✓		✓	✓
12	305	1	2	315	20	58	12.7	48	45	5/16" UNC	✓	✓	✓	✓
		2	4		34	55		58	48	5/16" UNC	✓		✓	✓
14	355	1	2	369	21	66	12.7	62	49	5/16" UNC	✓	✓	✓	✓
		2	4		34	67		64	55	5/16" UNC	✓			
15	381	1	2	393	20	67	12.7	62	60	5/16" UNC	✓		✓	✓
16	406	1	2	420	22	66	12.7	60	59	5/16" UNC	✓		✓	✓
		2	4		35	67		66	56	5/16" UNC	✓			
18	457	1	2	471	22	75	12.7	66	63	5/16" UNC	✓		✓	✓
		2	4		35	75		70	60	5/16" UNC	✓			

B Section

PCD		No of Grooves	Type	OD	W	HD	G	Over-All	LTB	Grub Screw	1/2"	5/8"	3/4"	1"
Inches	mm										No Key	3/16" Key	3/16" Key	1/4" Key
2	50	1	1	63	24	40	16	44	38	5/16" UNC	✓	✓	✓	✓
		2	3		44	43		34	59	5/16" UNC	✓	✓	✓	✓
2.5	63	1	1	76	24	44	16	43	38	5/16" UNC	✓	✓	✓	✓
3	76	1	1	89	24	45	16	42	38	5/16" UNC	✓	✓	✓	✓
		2	3		45	50		65	51	5/16" UNC	✓	✓	✓	✓
3.5	89	1	1	102	24	50	17	43	35	5/16" UNC	✓	✓	✓	✓
		2	3		45	50		66	53	5/16" UNC	✓	✓	✓	✓
4	102	1	1	114	24	52	18	43	37	5/16" UNC	✓	✓	✓	✓
		2	3		45	70		66	50	5/16" UNC	✓	✓	✓	✓
4.5	114	1	1	127	24	52	19	41	36	5/16" UNC	✓	✓	✓	✓
		2	3		45	65		66	50	5/16" UNC	✓	✓	✓	✓
5	127	1	1	140	24	52	20	42	36	5/16" UNC	✓	✓	✓	✓
		2	3		45	60		77	55	5/16" UNC	✓	✓	✓	✓
5.5	140	1	1	152	24	53	21	46	40	5/16" UNC	✓	✓	✓	✓
		2	3		45	53		66	58	5/16" UNC	✓	✓	✓	✓
6	152	1	1	165	24	60	22	45	40	5/16" UNC	✓	✓	✓	✓
		2	3		45	58		62	50	5/16" UNC	✓	✓	✓	✓
7	165	1	1	190	24	49	23	49	43	5/16" UNC	✓		✓	✓
		2	3		45	55		66	51	5/16" UNC	✓		✓	✓

Aluminium V-Pulleys (Made in Australia)

B Section

PCD		No of Grooves	Type	OD	W	HD	G	Over-All	LTB	Grub Screw	1/2"	5/8"	3/4"	1"
Inches	mm										No Key	3/16" Key	3/16" Key	1/4" Key
		mm												
8	178	1	1	216	24	60	24	54	47	5/16" UNC	✓		✓	✓
		2	3		45	63		69	55	5/16" UNC	✓		✓	✓
9	203	1	2	241	24	53	25	53	47	5/16" UNC	✓		✓	✓
		2	4		45	57		68	53	5/16" UNC	✓		✓	✓
10	229	1	2	267	24	56	26	49	44	5/16" UNC	✓		✓	✓
		2	4		45	57		64	51	5/16" UNC	✓		✓	✓
12	305	1	2	318	24	65	27	48	46	5/16" UNC	✓		✓	✓
		2	4		45	64		70	58	5/16" UNC	✓	✓	✓	✓
14	355	1	2	368	24	67	28	62	58	5/16" UNC				✓
		2	4		45	67		74	69	5/16" UNC				
16	406	1	2	419	24	68	29	58	52	5/16" UNC	✓			
		2	4		45	73		75	62	5/16" UNC			✓	
18	457	1	2	470	24	67	30	65	64	5/16" UNC				✓
		2	4		45	78		71	55	5/16" UNC	✓			

