

BM21

PORTABLE BEVELLER

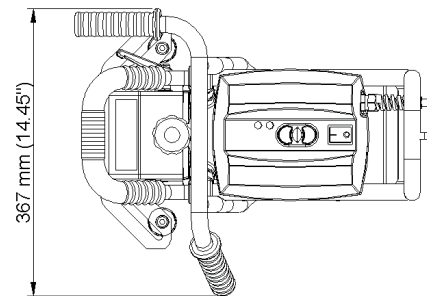
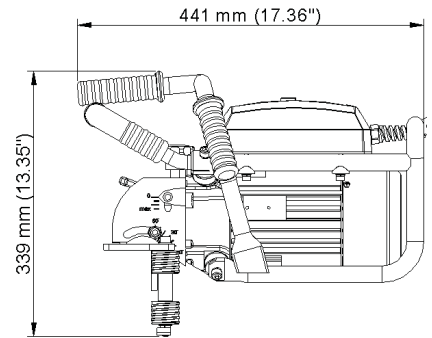
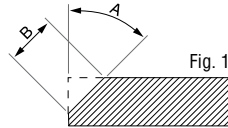
- Maximum 21mm bevel width
- 0° to 60° continuous angle adjustment
- Allows 0° angle for edge planing
- Improved design offers a number of innovative solutions that increase ergonomics and ensure even more comfort and work safety of the operator
- Single milling head equipped with 10 indexable inserts that require no set up and makes the machining process far more efficient with little operator's effort
- Easy setting of chamfer angle and bevel width
- One universal guide for bevelling both plates and pipes
- Bevells pipes 150 - 300mm diameter with optional attachment available for bevelling pipes 260 - 600mm diameter
- 4 vibration isolators

Part No.	WA-BM21
Voltage	240 V 50/60 Hz
Power	1600W
Spindle Speed	2800rpm
Maximum Bevel Width (B)	21mm
Bevelling Angle	0° - 60°
Weight	21kg

Maximum Bevel Width - Refer Fig. 1					
A	0°	15°	30°	45°	60°
B	21mm	18.5mm	18.5mm	21mm	18.5mm

Accessories & Consumables

Part No.	Description
WAP-B020	Replacement Standard Cutting Tips (10 Required)
WAP-B040	Replacement Cutting Tips For Hard Steels (10 Required) Also Requires Insert Screws WAP-B050 (10)
WAP-B21/3010	Large Pipe Attachment For 258 - 600mm Pipe



• Pipe bevelling



• Plate facing-off



• Plate bevelling