



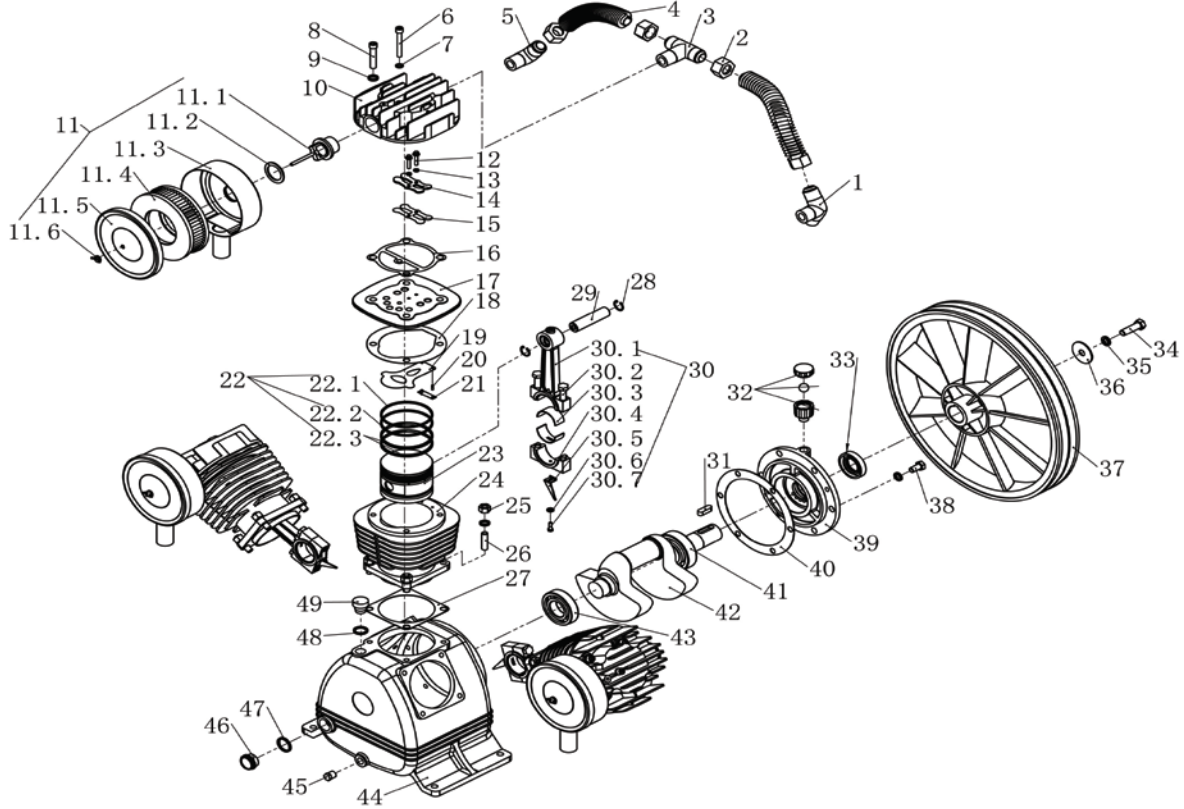
Pump Belt Driven

TM359-060

Type : 10HP Triple

Date: Oct 2020

Version : 00



No.	Qty.	Part no.	Part Name
1	1	30603FE025000	3-Way manifold nipple
2	4	326B027000000	Sleeve Nut
3	1	30603FE020001	3-Way manifold nipple
4	2	7462020022600	Copper Tube
5	1	30602FE020001	2-Way manifold nipple
6	3	320N200806016	Hex.Socket bolt
7	3	349FE00800000	SP.Washer
8	12	320N201005060	Hex.Socket bolt
9	30	349FE01000000	Sp.Washer
10	3	569AL09000001	Cylinder Head
11	3	2460BE00XSQ00	Air filter Ass'Y
11.1	3	2460BE00XSQ00_1	Screw
11.2	3	2460BE00XSQ00_2	O ring
11.3	3	2460BE00XSQ00_3	case
11.4	3	2460BE00XSQ00_4	Element
11.5	3	2460BE00XSQ00_5	case
11.6	3	321N500500000	Nut, Butterfly
12	6	320N000501261	Hex.Bolt
13	6	349FE00500000	SP.Washer

No.	Qty.	Part no.	Part Name
14	3	45100900XWQ02	Valve holder
15	3	24109000FP014	Valve blade
16	3	3440900000000	Gasket ,Cylinder Cover
17	3	24001090FB011	Blade,Valve
18	3	3421090000000	Gasket Valve
19	3	24109000FP014	Blade,Valve
20	6	331ND00301000	Locating pin
21	3	331ND00301000_1	Locating plate
22	3	2340090000000	Piston ring Kit
22.1	3	2340090000000_1	Compression Ring
22.2	3	2340090000000_2	Scraping Ring
22.3	6	2340090000000_3	Oil Ring
23	3	2330090000000	Piston
24	3	2390090070002	Cylinder
25	12	321N001000001	Hex.Nut
26	12	322NF01004000	Stud Bolt
27	3	3422090000000	Cylinder Gasket
28	6	337M020001000	Circlip
29	3	2352000800000	Piston Pin
30	3	2362004501570	Connecting rod
30.1	3	2362004501570_1	Conrod Part 1
30.2	6	320N201005061	Hex.Bolt
30.3	3	2370800000000	Bearing Bushing
30.4	3	2362004501570_2	Conrod Part 2
30.5	3	4512015000000	Oil Finger
30.6	3	349FE00600000	SP.Washer
30.7	3	320N000501261	Hex.Bolt
31	1	2980100300000	Key
32	1	0830A016HXZ02	Breather
33	1	3400350550100	Oil Seal
34	1	320N001204061	Hex.Bolt
35	6	349FE01200000	SP.Washer
36	6	335FE01205000	PL.Washer
37	1	2941010420B20	Fly wheel
38	6	320N001002061	Hex.Bolt
39	1	567FE09000000	Front cover
40	1	567FE09000000	Gasket Front cover
41	1	2430000063070	Bearing 6307
42	1	2310900000000	Crankshaft
43	1	2430000062070	Bearing
44	1	566FE09000000	Crankcase
45	1	32301FE008000	Plug
46	1	2450DN0200001	Oil Sight Glass
47	1	2450DN0200001_1	O-Ring
48	1	08440020JYS05_1	O-Ring
49	1	08440020JYS05	Oil Cap