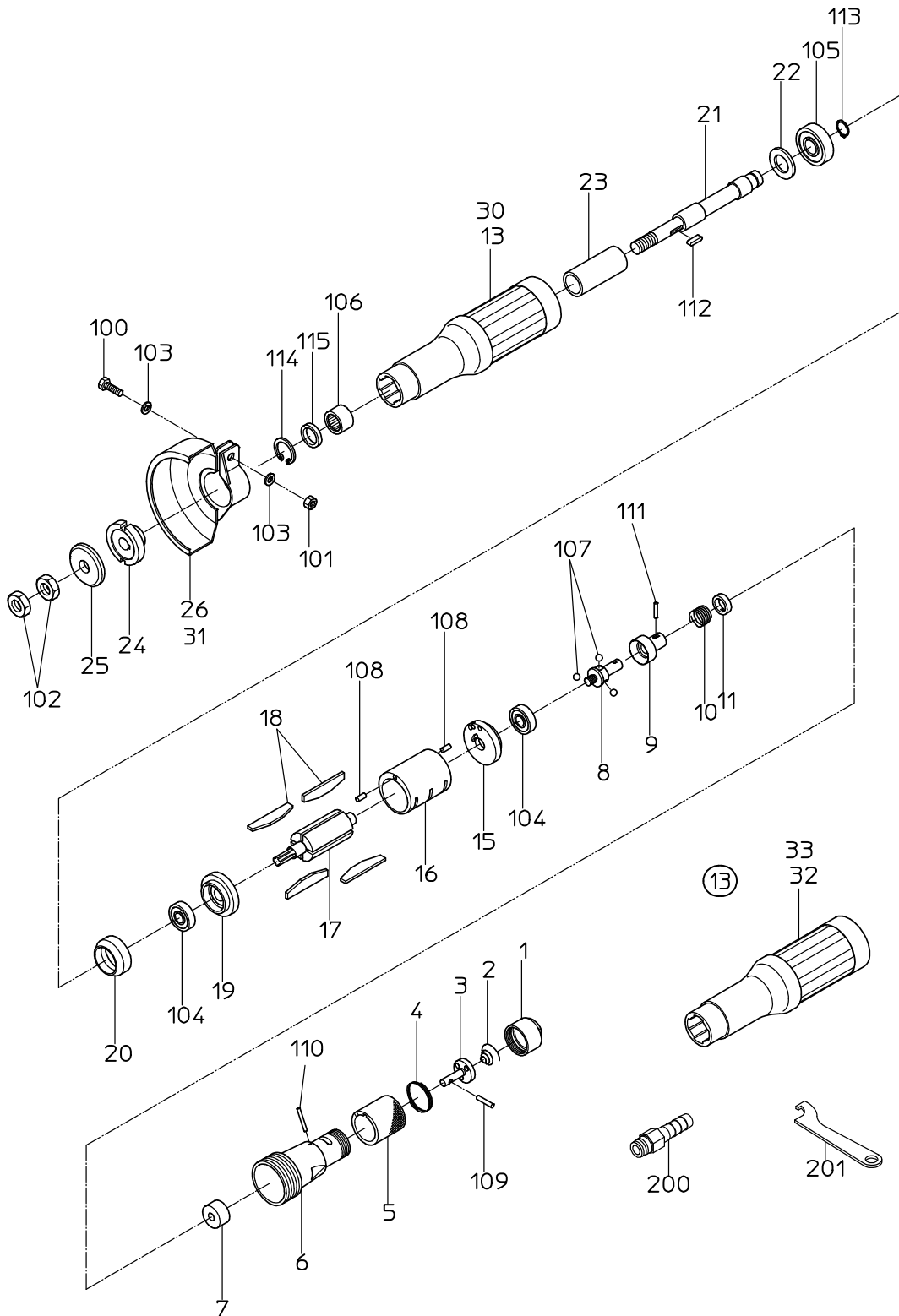


PARTS LIST

NHG-100A

505222



NIPPON PNEUMATIC MFG. CO., LTD.

PARTS LIST

(1/2)

MODEL : **NHG-100A**

505222

ITEM	PART NO.	PART NAME	Q' ty
1	15007730	INLET BUSHING	1
2	15007640	THROTTLE SPRING	1
3	15007770	THROTTLE VALVE	1
4	15007660	PUSH SPRING	1
5	15005990	GRIFE	1
6	Not available separately. Available only as HANDLE WB or HANDLE CP (P/No. 15015248 No. 15015247)		1
7	15003740	GOVERNOR BUSH	1
8	15003730	GOVERNOR BODY	1
9	15003720	GOVERNOR VALVE	1
10	15015726	GOVERNOR SPRING	1
11	15003120	GOVERNOR WASHER	1
13	15015730	ROTOR CASE AS	1
15	15003800	TOP PLATE	1
16	15003790	CYLINDER	1
17	15003830	ROTOR	1
18	15016108	VANE	4
19	15003820	BOTTOM PLATE	1
20	15003860	COLLAR	1
21	15003850	STONE SPINDLE	1
22	15003890	WASHER	1
23	15003880	MOVING COLLAR	1
24	15016052	STONE FLANGE	1
25	15003770	STONE WASHER	1
26	Not available separately. Available only as STONE COVER CP (P/No. 15015855)		1
30		NAME PLATE	1
31		NAME PLATE	1
32	Not available separately. Available only as ROTOR CASE AS (P/No. 15015730)		1
33	Not available separately. Available only as ROTOR CASE AS (P/No. 15015730)		1
100	72206018	HEX. BOLT	1
101	76111206	NUT	1
102	28100392	HEX. NUT	2
103	76310206	WASHER	2
104	28201080	BALL BEARING	2
105	28201081	BALL BEARING	1
106	28203052	NEEDLE BEARING	1
107	25502020	STEEL BALL	3
108	28206057	PIN	2
109	28206062	PIN	1
110	28207052	ROLLER PIN	1
111	28209075	ROLLER PIN	1
112	28209020	KEY	1
113	25307500	RETAINING RING	1
114	25307956	RETAINING RING	1
115	28302054	OIL SEAL	1
201	24999128	TURNING SPANNER	1

PARTS LIST

(2/2)

MODEL : **NHG-100A**

505222

ITEM	PART NO.	PART NAME	Q' ty
	CP LIST		
【13】	15015730	ROTOR CASE AS 32, 33	
	15015245	GOVERNOR CP 8, 9, 10, 11, 12, 107, 111	
	15015855	STONE COVER CP 26, 31, 100, 101, 103	
	15015247	HANDLE CP 1, 2, 3, 4, 5, 6, 7, 109, 110	
	15015248	HANDLE WB 6, 7	
	15015662	BNOTTOM PLATE WBR 19, 104	
	15015676	TOP PLATE WBR 15, 104	