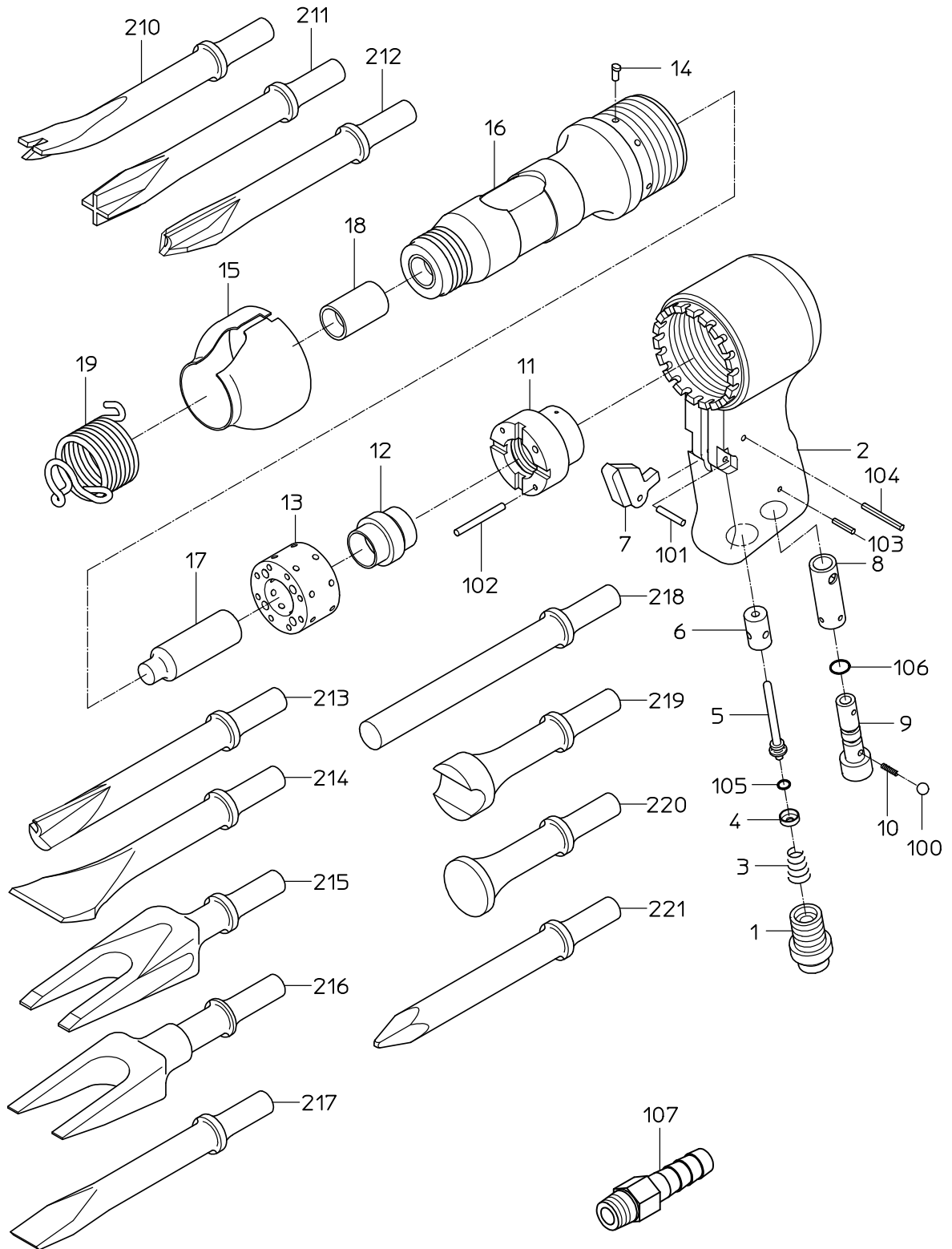


# PARTS LIST

## NBH-600A

600056



NIPPON PNEUMATIC MFG. CO., LTD.

# PARTS LIST

(1/2)

MODEL : **NBH-600A**

600056

ITEM	PART NO.	PART NAME	Q' ty
1	15205580	INLET BUSHING	1
2	Not available separately. Available only as HANDLE WB or HANDLE CP (P/No. 17514591 No. 17514592)	HANDLE	1
3	15204250	THROTTLE SPRING	1
4	15203750	THROTTLE CAP	1
5	15204270	THROTTLE VALVE	1
6	Not available separately. Available only as HANDLE WB or HANDLE CP (P/No. 17514591 No. 17514592)	THROTTLE BUSH	1
7	15205140	LEVER	1
8	Not available separately. Available only as HANDLE WB or HANDLE CP (P/No. 17514591 No. 17514592)	ADJUSTER BUSHING	1
9	15205050	ADJUSTER VALVE	1
10	15200930	SPRING	1
11	17500390	VALVE SHEET	1
12	17500370	VALVE	1
13	17500380	VALVE BOX	1
14	17500580	STOPPER PIN	1
15	17500350	EXHAUST COVER	1
16	17500310	CYLINDER	1
17	17500330	PISTON	1
18	17500320	SHANK BUSHING	1
19	17500340	QUICK SPRING	1
100	28205023	STEEL BALL	1
101	28207061	ROLLER PIN	1
102	28207092	ROLLER PIN	1
103	28208052	SPRING PIN	1
104	25305020	SPRING PIN	1
105	61200050	O RING	1
106	61200070	O RING	1
	Option		
210	17500400	PANEL CUTTER	
211	17500410	SHEET METAL CUTTER	
212	17500420	MUFFLER CUTTER	
213	17500430	BUSHING REMOVER	
214	17500440	PAINT SCRAPER	
215	17500450	FORK CHISEL (19)	
216	17500460	FORK CHISEL (25)	
217	17500500	FLAT CHISEL	
218	17500470	STRAIGHT PUNCH	
219	17500480	TIE ROD TOOL	
220	17500490	SMOOTHING TOOL	
221	17500510	DEMOLITION POINT CHISEL	

# PARTS LIST

(2/2)

MODEL : **NBH-600A**

600056

ITEM	PART NO.	PART NAME	Q' ty
	ASSY LIST		
	17514548	CYLINDER WB	
	16, 18		
	17514591	HANDLE WB	
	2, 6, 8, 104		
	17514592	HANDLE CP	
	1, 2, 3, 4, 5, 6, 7, 8, 9, 10, 100, 101, 103, 104, 105, 106		