



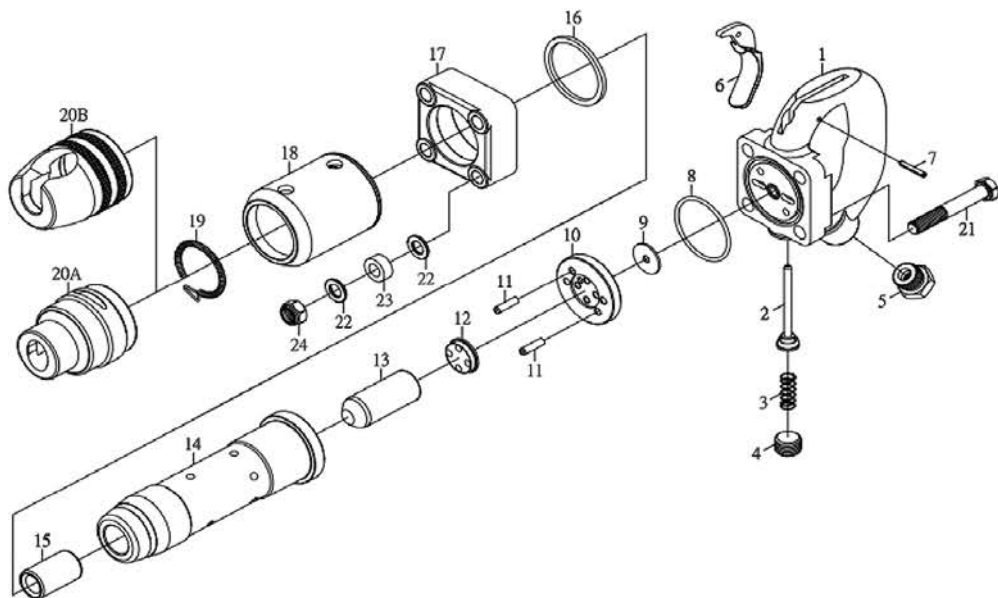
# Air Pistol Needle Scaler

Item No : SN-3212 / SN-3222 / SN-3213

SN-3223 / SN-3214 / SN-3224



● The consumable parts ▲ The replacement parts ★ The non-replacement parts



# Part List

SN-3212 / SN-3222 / SN-3213 /  
SN-3223 / SN-3214 / SN-3224



	NO.	INDEX NO.	DESCRIPTION	Q'TY
★	1	SN-32P01	Handle	1
★	2	SN-32P02	Throttle Valve	1
★	3	SN-32P03	Spring	1
★	4	SN-32P04	Throttle Cap	1
★	5	SN-32P05	Hose Adapter	1
▲	6	SN-32P06	Trigger	1
★	7	SN-32P07	Spring Pin ( $\phi 4 \times 26L$ )	1
▲	8	SN-32P08	O-Ring ( $d55.0 \times W3.0$ )	1
●	9	SN-32P09	Valve	1
●	10	SN-32P10	Valve Spacer	1
●	11	SN-32T11	Valve Dowel ( 2pcs )	1set
●	12	SN-32P12	Bumper Valve Seat	1
●	13	SN-3212P13	Piston ( 2" Stroke ) ( for SN-3212 / 3222 )	1
●		SN-3213P13	Piston ( 3" Stroke ) ( for SN-3213 / 3223 )	1
●		SN-3214P13	Piston ( 4" Stroke ) ( for SN-3214 / 3224 )	1

	NO.	INDEX NO.	DESCRIPTION	Q'TY
▲	14	SN-3212P14	Cylinder ( 2" Stroke ) ( for SN-3212 / 3222 )	1
▲		SN-3213P14	Cylinder ( 3" Stroke ) ( for SN-3213 / 3223 )	1
▲		SN-3214P14	Cylinder ( 4" Stroke ) ( for SN-3214 / 3224 )	1
●	15A	SN-321P15A	Cylinder Bushing-Round ( .680" )	1
●	15B	SN-322P15B	Cylinder Bushing-Hex ( .580" )	1
★	16	SN-32P16	Lock Ring Bumper	1
★	17	SN-32P17	Flange-Cylinder	1
★	18	SN-32P18	Exhaust Deflector	1
★	19	SN-32P19	Lock Spring	1
★	20A	SN-32P20A	Oval Collar Retainer	1
★	20B	SN-32P20B	Hitch Cutter Retainer	1
★	21	SN-32T21	Handle Bolt ( 4pcs )	1set
★	22	SN-32T22	Handle Bolt Spacer ( 8pcs )	1set
★	23	SN-32T23	Bumper Washer ( 4pcs )	1set
★	24	SN-32T24	Handle Bolt Nut ( 4pcs )	1set