

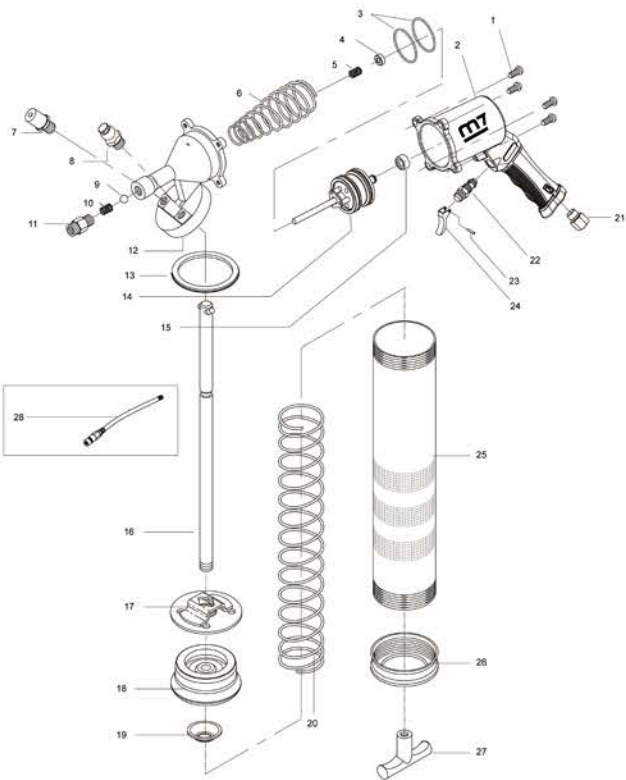


Air Grease Gun

Item No : SG-401



● The consumable parts ▲ The replacement parts ★ The non-replacement parts



Part List SG-401

	NO.	INDEX NO.	DESCRIPTION	D'TY
▲	01	SG-401T01	Screw	4
★	02	SG-401P02	Main Housing	1
▲	03	SG-401T03	O-Ring	2
▲	04	SG-401P04	Bump	1
▲	05	SG-401P05	Spring	1
▲	06	SG-401P06	Conical Spring	1
▲	07	SG-401P07	Filling Plug	1
▲	08	SG-401P08	Pressure Relief Valve	1
●	09	SG-401P09	Ball	1
●	10	SG-401P10	Spring	1
▲	11	SG-401P11	Adapter	1
★	12	SG-401P12	Housing Cap	1
▲	13	SG-401P13	Gasket	1
▲	14	SG-401P14	Piston Set	1
▲	15	SG-401P15	Rubber Sleeve	1
★	16	SG-401P16	Piston Rod	1
▲	17	SG-401P17	Plunger Lock	1
▲	18	SG-401P18	Plunger	1
▲	19	SG-401P19	Washer	1
▲	20	SG-401P20	Spring	1
★	21	SG-401P21	Air Inler	1
▲	22	SG-401P22	Air Throttle	1
▲	23	SG-401P23	Pin	1
▲	24	SG-401P24	Trigger	1
★	25	SG-401P25	Grease Container	1
★	26	SG-401P26	End Cap	1
▲	27	SG-401P27	Handle	1
●	28	SG-401P28	Grease Spout	1