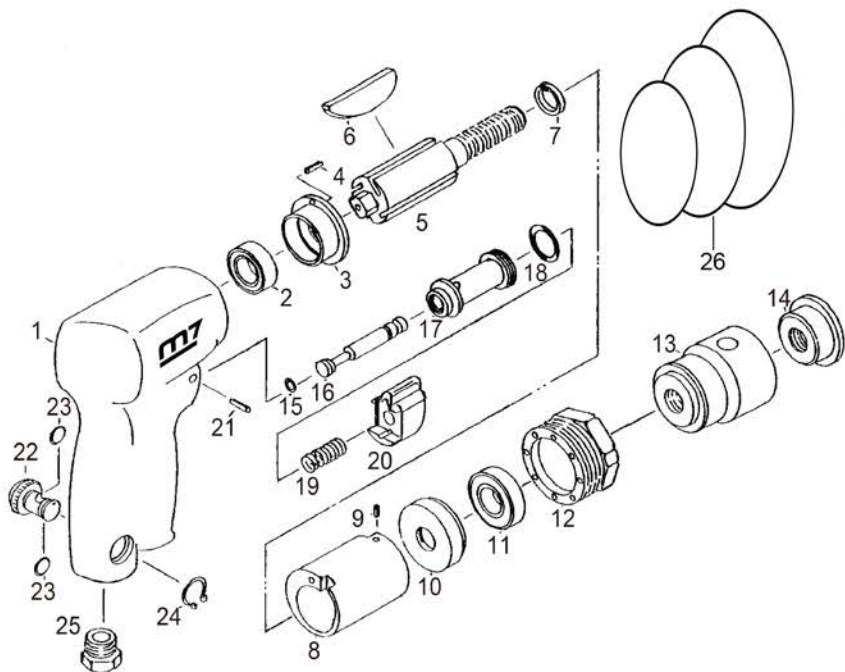




5" Air Sander

Item No : QP-215

● The consumable parts ▲ The replacement parts ★ The non-replacement parts



Part List

Item No : QP-215



NO.	Index No.	Description	Q'ty
★	1	QP-215P01 Motor Housing	1
●	2	QP-215P02 Rear Rotor Ball Bearing	1
▲	3	QP-215P03 Rear End Plate	1
★	4	QP-215P04 Roll Pin	1
★	5	QP-215P05 Rotor	1
●	6	QP-215T06 Rotor Blade (4 pcs)	1 SET
★	7	QP-215P07 Rotor Collar	1
▲	8	QP-215P08 Cylinder	1
▲	9	QP-215P09 Cylinder Pin	1
▲	10	QP-215P10 Front End Plate	1
●	11	QP-215P11 Front Rotor Ball Bearing	1
★	12	QP-215P12 Lock Screw	1
★	13	QP-215P13 Sanding Adaptor	1
★	14	QP-215P14 Padlocking Screw	1
●	15	QP-215P15 Throttle Valve "O" Ring	1
★	16	QP-215P16 Throttle Valve	1
★	17	QP-215P17 Throttle Valve Bushing	1
●	18	QP-215P18 Throttle Valve "O" Ring	1
★	19	QP-215P19 Throttle Valve Spring	1
★	20	QP-215P20 Trigger	1
★	21	QP-215P21 Trigger Pin	1
★	22	QP-215P22 Air Regulator	1
●	23	QP-215T23 Regulator "O" Ring (2 pcs)	1 SET
★	24	QP-215P24 Snap Ring	1
★	25	QP-215P25 Air Inlet Bushing	1
●	26	QP-215T26 PAD (3",4.5",5")	1 SET