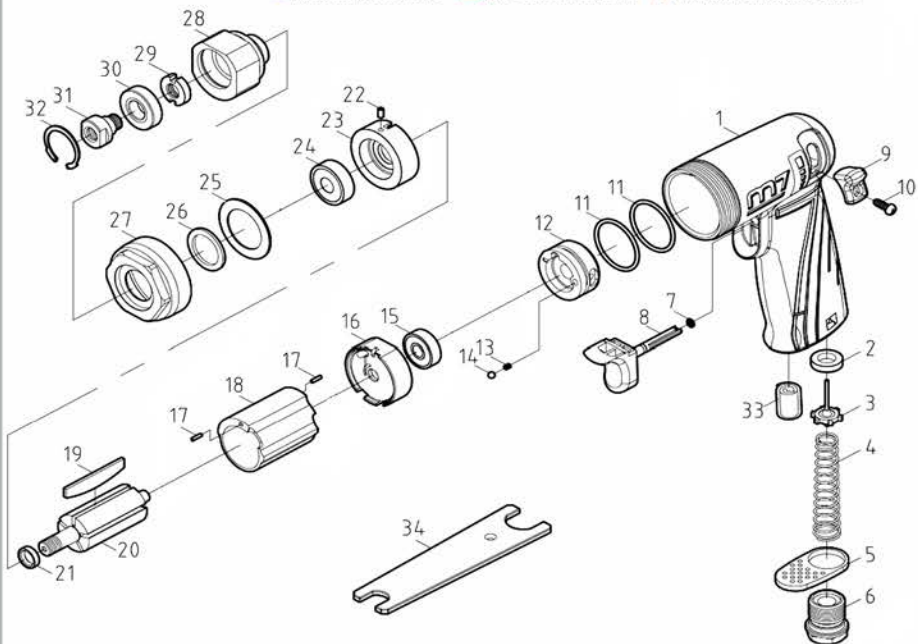




AIR SANDER

Item No : QP-213N

● The consumable parts ▲ The replacement parts ★ The non-replacement parts



Part List

Air Sander QP-213N

NO.	Part No.	Description	Q'TY
★	1	QP-213P01 Housing	1
★	2	QP-213P02 Oil Seal	1
★	3	QP-213P03 Pin Valve Rod	1
★	4	QP-213P04 Cone Spring	1
★	5	QP-213P05 Exhaust Deflector	1
★	6	QP-213P06A Air Inlet, 19PT	1
★		QP-213P06B Air Inlet, 18NPT	1
★	7	QP-213P07 O-Ring	1
★	8	QP-213P08 Trigger	1
★	9	QP-213P09 Reverse Lever	1
★	10	QP-213P10 Screw	1
●	11	QP-213T11 O-Ring (2 pcs)	1 SET
▲	12	QP-213P12 Rear Plate Spacer	1
★	13	QP-213P13 Spring	1
★	14	QP-213P14 Steel Ball	1
●	15	QP-213P15 Ball Bearing	1
▲	16	QP-213P16 Rear Plate	1
★	17	QP-213T17 Spring Pin (2 pcs)	1 SET
★	18	QP-213P18 Cylinder	1
●	19	QP-213T19 Rotor Blade (5 pcs)	1 SET
★	20	QP-213P20 Rotor	1
▲	21	QP-213P21 Washer	1
★	22	QP-213P22 Spring Pin	1
▲	23	QP-213P23 Front Plate	1
●	24	QP-213P24 Ball Bearing	1
★	25	QP-213P25 Washer	1
★	26	QP-213P26 Felt	1
★	27	QP-213P27 Front Casing	1
★	28	QP-213P28 Eccentric Shaft	1
★	29	QP-213P29 Lock Nut	1
●	30	QP-213P30 Ball Bearing	1
★	31	QP-213P31 Anvil	1
▲	32	QP-213P32 Retaining Ring	1
▲	33	QP-213P33 Muffler Filter	1
★	34	QP-213P34 Wrench	1