

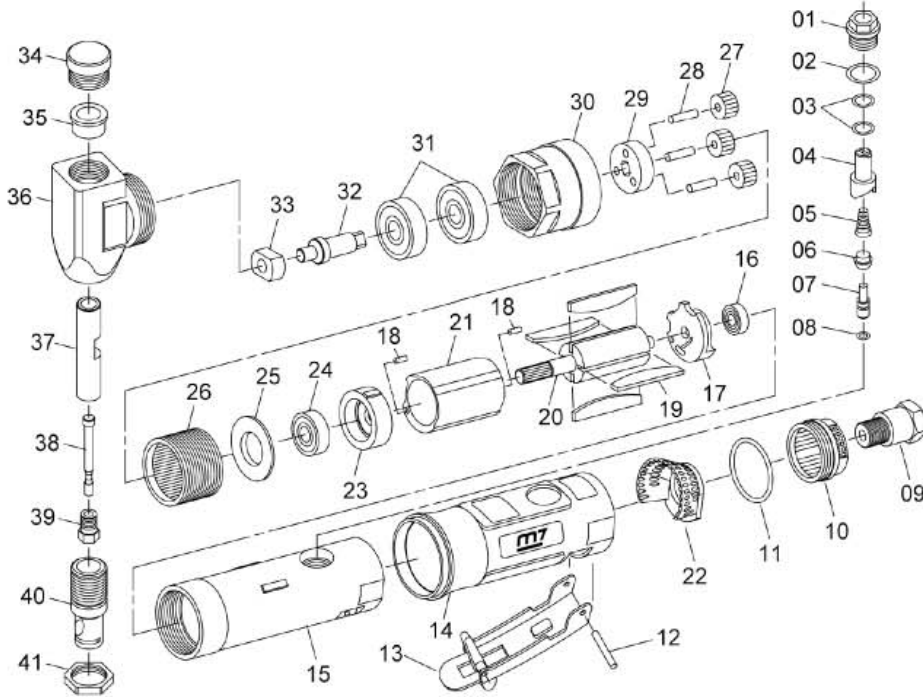


# Straight Type Air Shear

Item No : QG-103



● The consumable parts ▲ The replacement parts ★ The non-replacement parts



# Part List QG-103

NO.	INDEX NO.	DESCRIPTION	Q'TY
★	01	QG-103P01 Screw	1
★	02	QG-103P02 O-Ring (P12)	1
★	03	QG-103T03 O-Ring (P8) (2 pcs)	1 set
★	04	QG-103P04 Air Regulator	1
★	05	QG-103P05 Spring	1
★	06	QG-103P06 Valve Stem Bushing	1
★	07	QG-103P07 Valve Stem	1
★	08	QG-103P08 O-Ring(3.5*1.4)	1
★	09	QG-103P09 Air Inlet	1
★	10	QG-103P10 Exhaust Sleeve	1
★	11	QG-103P11 O-Ring (26.7*1.78)	1
★	12	QG-103P12 Spring Pin	1
★	13	QG-103P13 Throttle Lever	1
★	14	QG-103P14 Rubber	1
★	15	QG-103P15 Motor Housing	1
▲	16	--- Bearing (696ZZ)	1
▲	17	--- Rear Plate	1
★	18	QG-103T18 Positioning Pin (2 pcs)	1 set
●	19	QG-103T19 Rotor Blade (4 pcs)	1 set
★	20	QG-103P20 Rotor(6T)	1
★	21	QG-103P21 Cylinder	1
★	22	QG-103P22 Cone Muffler	1
▲	23	--- Front Plate	1
▲	24	--- Bearing (608ZZ)	1
★	25	QG-103P25 Washer	1
★	26	QG-103P26 Internal Gear(42T)	1
●	27	QG-103T27 Idler Gear (18T) (3 pcs)	1 set
●	28	--- Planet Pin	3
●	29	--- Idler Spindle	1
★	30	QG-103P30 Clamp Nut	1
▲	31	QG-103T31 Bearing (6200ZZ) (2 pcs)	1 set
●	32	QG-103P32 Crank Shaft	1
●	33	QG-103P33 Cam	1
★	34	QG-103P34 Head Cap	1
▲	35	QG-103P35 Bushing	1
★	36	QG-103P36 Head	1
●	37	QG-103P37 Sliding Shaft	1
●	38	QG-103P38 Punch	1
▲	39	QG-103P39 Screw	1
●	40	QG-103P40 Die	1
▲	41	QG-103P41 Nut	1
★		QG-103T01 Rear End Plate Assembly(16.17)	1 set
★		QG-103T02 Front End Plate Assembly(23.24)	1 set
★		QG-103T03 Gear Plate Assembly(28.29)	1 set