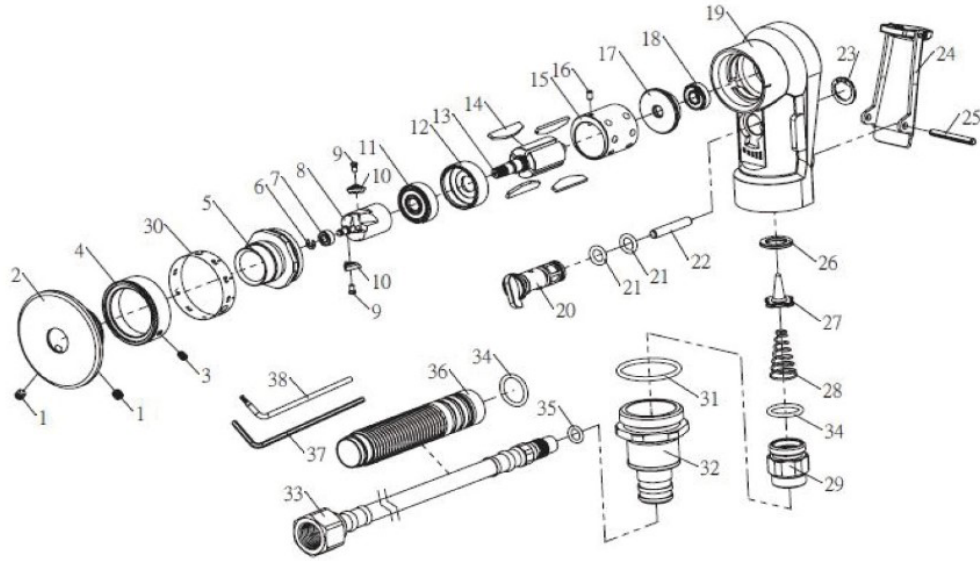




Air Chamfering Tools

Item No : QC-512

● The consumable parts ▲ The replacement parts ★ The non-replacement parts



Part List

Item No : QC-512



NO.	INDEX NO.	DESCRIPTION	Q'TY
1	QC-512T01	Set Screw (M4x4) (2 pcs)	1 SET
2	QC-512P02	Guide Plate	1
3	QC-512P03	Set Screw (M3x4)	1
4	QC-512P04	Scale Ring	1
5	QC-512P05	Lock Screw	1
6	QC-512P06	E-Ring	1
7	QC-512P07	Ball Bearing (683zz)	1
8	QC-512P08	Shank	1
9	QC-512T09	Indexable Insert Set Screw (2 pcs)	1 SET
10	QC-512T10	Indexable Insert (2 pcs)	1 SET
11	QC-512P11	Ball Bearing (626zz)	1
12	QC-512P12	Front End Plate	1
13	QC-512P13	Rotor	1
14	QC-512T14	Rotor Blade (4 pcs)	1 SET
15	QC-512P15	Cylinder	1
16	QC-512P16	Spring Pin (Ø2x4)	1
17	QC-512P17	Rear End Plate	1
18	QC-512P18	Ball Bearing (695zz)	1
19	QC-512P19	Housing	1
20	QC-512P20	Adjust Valve	1

NO.	INDEX NO.	DESCRIPTION	Q'TY
21	QC-512T21	O-Ring (ID6.07x1.78) (2 pcs)	1 SET
22	QC-512P22	Parallel Pin (Ø4x23.8)	1
23	QC-512P23	Retaining Ring	1
24	QC-512P24	Lever Ass'y	1
25	QC-512P25	Spring Pin (Ø3x25)	1
26	QC-512P26	Washer	1
27	QC-512P27	Valve	1
28	QC-512P28	Valve Spring	1
29	QC-512P29	Connection	1
30	QC-512P30	Label	1
31	QC-512P31	O-Ring (ID24.5x2)	1
32	QC-512P32	Hose Holder	1
33	QC-512P33	Air Hose Ass'y	1
34	QC-512T34	O-Ring (ID12.42x1.78) (2 pcs)	1 SET
35	QC-512P35	O-Ring (ID5.5x1.5)	1
36	QC-512P36	Exhaust Hose	1
37	QC-512P37	Hex. Wrench	1
38	QC-512P38	Spanner	1