

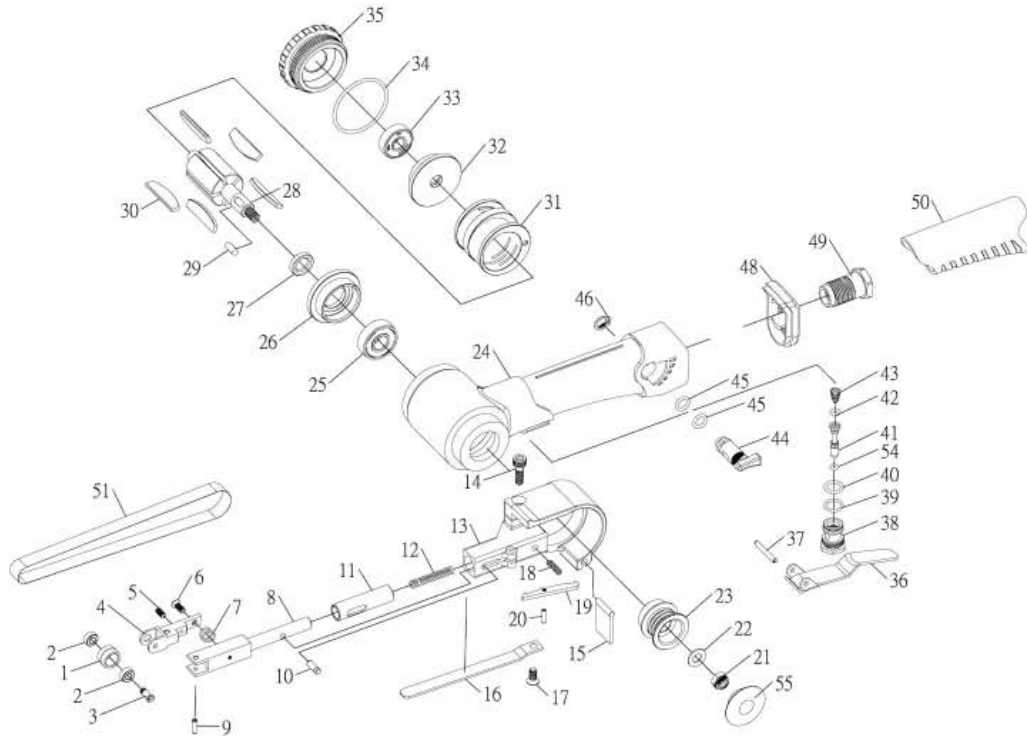


Air Belt Sander

Item No : QB-321



● The consumable parts ▲ The replacement parts ★ The non-replacement parts



Part List

Item No : QB-321



	NO.	INDEX NO.	DESCRIPTION	Q'TY
▲	1	QB-321P01	Idle Pulley	1
★	2	QB-321T02	Ball Bearing (684zz) (2 pcs)	1 set
★	3	QB-321P03	Idle Pulley Screw	1
★	4	QB-321P04	Bracket 10	1
★	5	QB-321P05	Set Screw (M3×8)	1
★	6	QB-321P06	Hexagon Socket Headless Set Screw	1
▲	7	QB-321P07	Spring	1
★	8	QB-321P08	Tension Bar	1
★	9	QB-321P09	Spring Pin (3×10)	1
★	10	QB-321P10	Stopper Pin	1
★	11	QB-321P11	Guard Bushing	1
★	12	QB-321P12	Tension Spring	1
★	13	QB-321P13	Guard Sub Ass'y 11	1
★	14	QB-321P14	Head Cap Screw (M5×15)	1
●	15	QB-321P15	Dust Cover	1
★	16	QB-321P16	Shoe 10	1
★	17	QB-321P17	Hexagon Socket Headless Set Screw	1
★	18	QB-321P18	Stopper Spring	1
★	19	QB-321P19	Stopper	1
★	20	QB-321P20	Spring Pin (2.5×10)	1
★	21	QB-321P21	Hexagon Nut (M6)	1
★	22	QB-321P22	Washer (M6)	1
▲	23	QB-321P23	Drive Pulley	1
★	24	QB-321P24	Housing	1
●	25	QB-321P25	Ball Bearing(6000ZZ)	1
★	26	QB-321P26	Front End Plate	1
★	27	QB-321P27	Spacer	1

	NO.	INDEX NO.	DESCRIPTION	Q'TY
★	28	QB-321P28	Rotor	1
●	29	QB-321P29	Parallel Key Both Ends Round 4×4×9.5	1
●	30	QB-321T30	Rotor Blade (5 pcs)	1 set
★	31	QB-321P31	Cylinder	1
★	32	QB-321P32	Rear End Plate	1
▲	33	QB-321P33	Ball Bearing (608zz)	1
●	34	QB-321P34	O-Ring(S38)	1
★	35	QB-321P35	Cap	1
★	36	QB-321P36	Throttle Lever	1
★	37	QB-321P37	Spring Pin (3×20)	1
★	38	QB-321P38	Valve Body	1
●	39	QB-321P39	O-Ring (S11.2)	1
●	40	QB-321P40	O-Ring(P9)	1
★	41	QB-321P41	Valve Stem	1
●	42	QB-321P42	O-Ring (P3)	1
▲	43	QB-321P43	Valve Spring	1
★	44	QB-321P44	Air Regulator	1
●	45	QB-321T45	O-Ring (P7) (2 pcs)	1 set
★	46	QB-321P46	External Stop Ring(STW-8)	1
★	48	QB-321P48	Exhaust Diffuser	1
★	49	QB-321P49	Inlet Bushing	1
▲	50	QB-321P50	Housing Cover	1
●	51	QB-321P51	Grinding Belt (#100×10)	1
●	52	QB-321P52	Grinding Belt (#80×10)	1
●	53	QB-321P53	Grinding Belt (#120×10)	1
●	54	QB-321P54	O-Ring (AS-004)	1
●	55	QB-321P55	Pulley Cover	1