

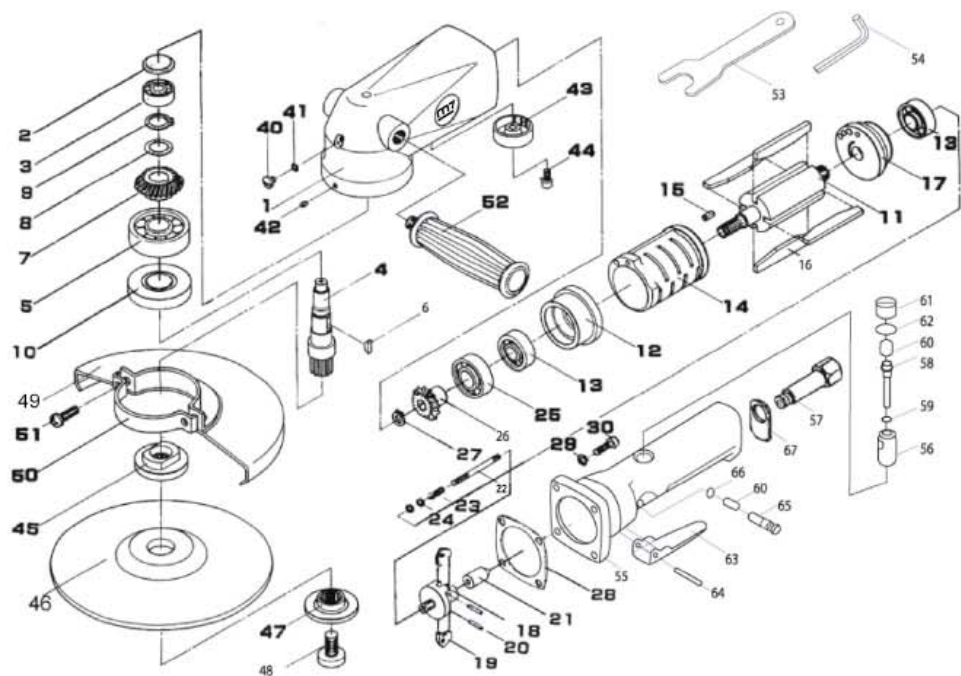


Air Angle Grinder

Item No : QB-117



● The consumable parts ▲ The replacement parts ★ The non-replacement parts



Part List QB-117

NO.	INDEX NO.	DESCRIPTION	QTY
★	01	QB-117P01 Motor Housing	1
★	02	QB-117P02 Seal Plate	1
▲	03	QB-117P03 Ball Bearing (626z)	1
★	04	QB-117P04 Arbor	1
●	05	QB-117P05 Ball Bearing (6303z)	1
▲	06	QB-117P06 Woodruff Key	1
X	07	— Bevel Gear	1
★	08	QB-117P08 Wave Washer	1
▲	09	QB-117P09 Retaining Ring	1
★	10	QB-117P10 Arbor Bearing Cap	1
★	11	QB-117P11 Rotor	1
★	12	QB-117P12 Front End Plate	1
▲	13	QB-117T13 Ball Bearing (2 pcs) (6201z)	1 set
★	14	QB-117P14 Cylinder	1
★	15	QB-117T15 Spring Pin	1 set
●	16	QB-117T16 Rotor Blade (4 pcs)	1 set
▲	17	QB-117P17 Rear End Plate	1
X	18	— Governor	1
X	19	— Pendulum	8
X	20	— Spring Pin	2
X	21	— Plunger	1
X	22	— Adjust Screw	1
X	23	— Spring	1
X	24	— Hex Nut	2
●	25	QB-117P25 Ball Bearing (6202z)	1
X	26	— Bevel Pinion	1
▲	27	QB-117P27 Retaining Ring	1
●	28	QB-117P28 Gasket	1
★	29	QB-117T29 Spring Washer (4 pcs)	1 set
★	30	QB-117T30 Cap Bolt (4 pcs)	1 set
★	40	QB-117P40 Grease Inlet Plug	1
▲	41	QB-117P41 O-Ring	1
★	42	QB-117P42 Set Screw	1
★	43	QB-117P43 Exhaust Deflector	1
★	44	QB-117P44 Cap Bolt	1
★	45	QB-117P45 Wheel Flange	1
●	46	QB-117P46 7" Grinding Wheel	1
★	47	QB-117P47 Wheel Clamp	1
★	49	QB-117T49 Wheel Guard Assembly (49, 50)	1 set
★	51	QB-117T51 Cross Head Screw (+) (2 pcs)	1 set
★	52	QB-117P52 Handle	1
★	53	QB-117P53 Wheel Wrench	1
★	54	QB-117P54 Hex Wrench	1
X	55	— Throttle Housing	1
X	56	— Throttle Bushing	1
X	57	— Air Inlet Bushing	1
X	58	— Valve Stem	1
X	59	— O-Ring	1
X	60	— Valve Spring (2 pcs)	1 set
X	61	— Throttle Valve Plug	1
X	62	— O-Ring	1
X	63	— Throttle Lever	1
X	64	— Spring Pin	1
X	65	— Lock Pin	1
X	66	— E-Ring	1
X	67	— Support Plate	1
★	—	QB-117T01 Throttle Housing Assembly (55, 56, 57, 60, 63, 64, 65, 66, 67)	1 set
★	—	QB-117T02 Throttle Valve Assembly (58, 59, 60, 61, 62)	1 set
★	—	QB-117T03 Governor Assembly (18, 19, 20, 21, 22, 23, 24)	1 set
●	—	QB-117T04 Bevel Gear Assembly (07, 26)	1 set