

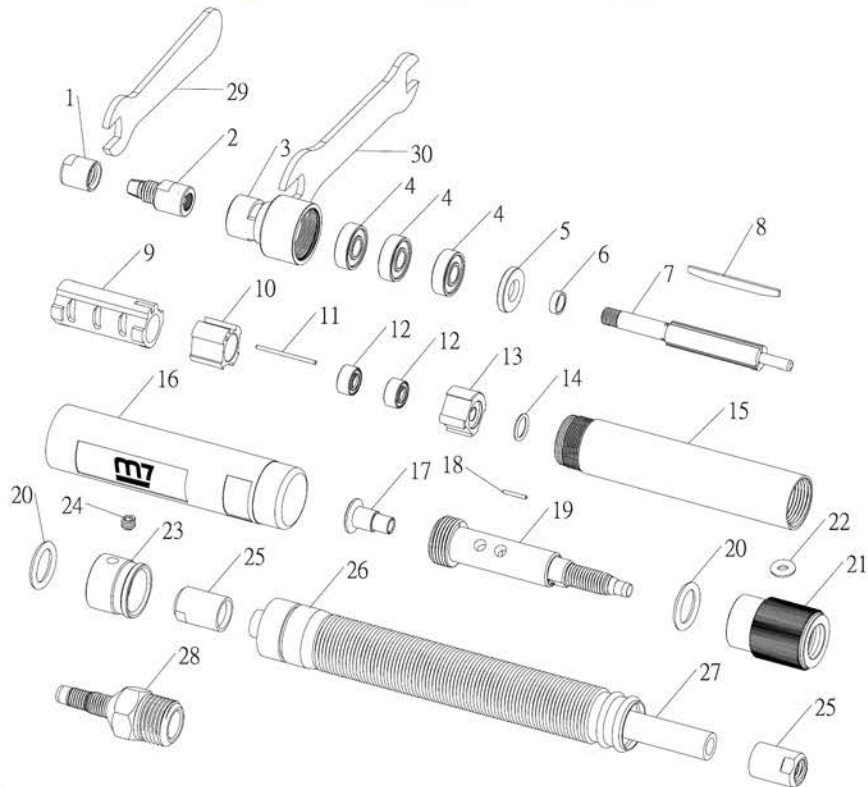


Heavy Duty Micro Air Die Grinder

Item No : QA-441



● The consumable parts ▲ The replacement parts ★ The non-replacement parts



Part List QA-441

NO.	PART NO.	DESCRIPTION	Q'TY	
★	1	QA-441P01	Collet Nut	1
▲	2	QA-441P02	Collet 3mm	1
★	3	QA-441P03	Nut	1
●	4	QA-441T04	Ball Bearing (3 pcs)	1 SET
★	5	QA-441P05	Front End Plate	1
★	6	QA-441P06	Bearing Spacer	1
▲	7	QA-441P07	Rotor	1
●	8	QA-441T08	Rotor Blade (3 pcs)	1 SET
▲	9	QA-441P09	Cylinder	1
▲	10	QA-441P10	Rear End Plate	1
▲	11	QA-441P11	Cylinder Pin	1
●	12	QA-441T12	Ball Bearing (2 pcs)	1 SET
▲	13	QA-441P13	Intake Plate	1
●	14	QA-441P14	O-Ring	1
★	15	QA-441P15	Housing	1
★	16	QA-441P16	Housing Rubber	1
★	17	QA-441P17	Plug	1
★	18	---	Pin	1
★	19	QA-441T19	Hose Plug (18,19)	1 SET
●	20	QA-441T20	O-Ring (2 pcs)	1 SET
★	21	QA-441P21	Air Regulator	1
●	22	QA-441P22	O-Ring	1
★	23	QA-441P23	Rear End Holder	1
★	24	QA-441P24	Screw	1
★	25	QA-441T25	Hose Net (2 pcs)	1 SET
★	26	QA-441P26	Exhaust Hose	1
★	27	QA-441P27	Hose	1
★	28	QA-441P28	Inlet Adapter	1
★	29	QA-441P29	Collet Wrench	1
★	30	QA-441P30	Collet Wrench	1