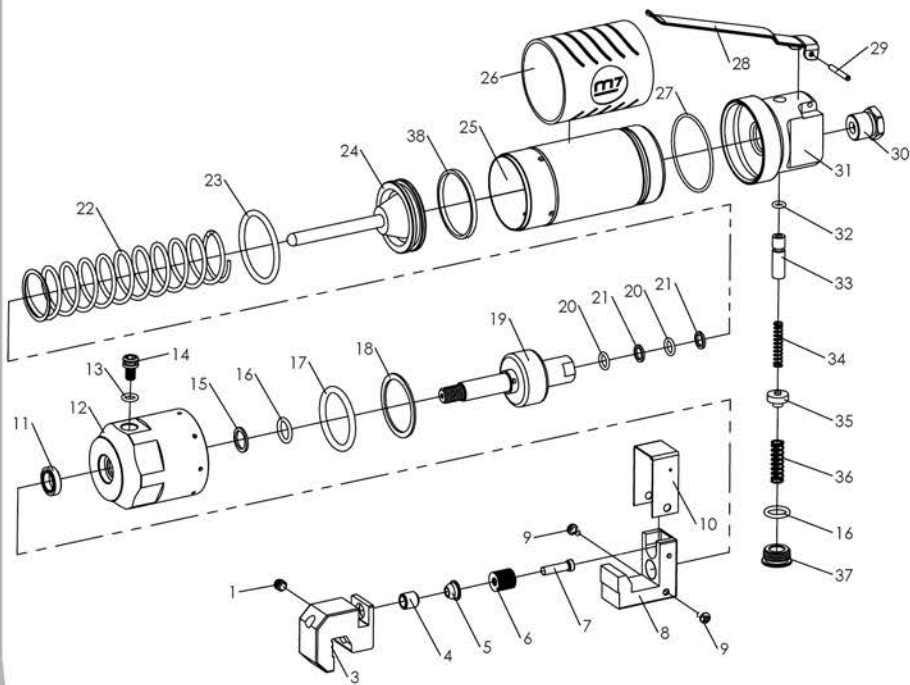




Air Rivet Nut Tool

Item No : PN-150

● The consumable parts ▲ The replacement parts ★ The non-replacement parts



Part List

Item No : PN-150



	NO.	PART NO.	DESCRIPTION	QTY
★	01	PN-150P01	Set Screw (M6x6)	1
★	02	PN-150P02	Plug	1
●	03	PN-150P03	Clamp	1
●	04	PN-150P04	Punch Die	1
●	05	PN-150P05	Guide Bushing	1
●	06	PN-150T06	Cup Spring (13pcs)	1 set
●	07	PN-150P07	Punch	1
●	08	PN-150P08	Anvil	1
★	09	PN-150T09	Screw (M4x6) (2pcs)	1 set
▲	10	PN-150P10	Cover Plate	1
●	11	PN-150P11	Oil Seal	1
★	12	PN-150P12	Hydr Cylinder	1
▲	13	PN-150P13	O-Ring (ID6.8x1.9)	1
★	14	PN-150P14	Screw	1
▲	15	PN-150P15	Support Ring	1
▲	16	PN-150T16	O-Ring (ID11.8x2.4) (2pcs)	1 set
▲	17	PN-150P17	O-Ring	1
▲	18	PN-150P18	Support Ring	1
▲	19	PN-150P19	Piston	1
▲	20	PN-150T20	O-Ring (ID7.8x1.9) (2pcs)	1 set
▲	21	PN-150T21	Support Ring (2pcs)	1 set
▲	22	PN-150P22	Spring	1
●	23	PN-150P23	O-Ring	1
●	24	PN-150P24	High Press Piston	1
★	25	PN-150P25	Air Cylinder	1
▲	26	PN-150P26	Rubber Grip	1
●	27	PN-150P27	O-Ring (ID47.35x1.78)	1
▲	28	PN-150P28	Lever	1
★	29	PN-150P29	Spring Pin (φ3x23)	1
★	30	PN-150P30	Air Inlet	1
★	31	PN-150P31	Valve Body	1
▲	32	PN-150P32	O-Ring (ID4.8x1.9)	1
★	33	PN-150P33	Push Rod	1
★	34	PN-150P34	Spring	1
★	35	PN-150P35	Valve	1
★	36	PN-150P36	Spring	1
★	37	PN-150P37	Screw	1
●	38	PN-150P38	Rubber Band	1