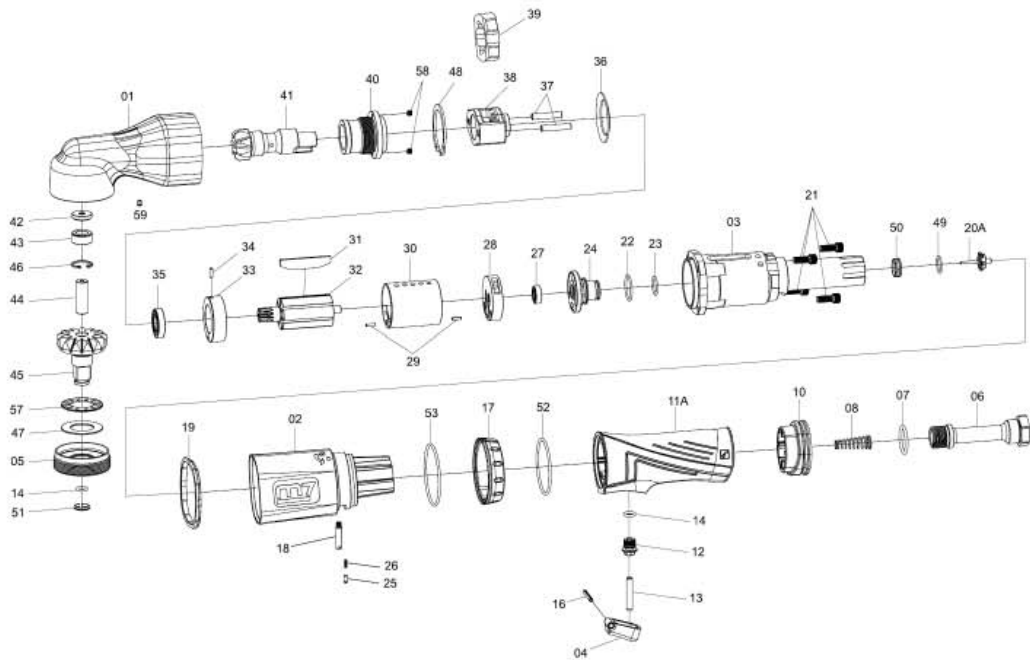




1/2" Air Impact Wrench

Item No : NE-499

● The consumable parts ▲ The replacement parts ★ The non-replacement parts



Part List

Jumbo Hammer Type

NE-499



| | NO. | PART NO. | DESCRIPTION | QTY |
|---|-----|-----------|-----------------------------------|-------|
| ★ | 01 | NE-499T01 | Hammer Case Ass'y (Ol. 42.43.59) | 1 SET |
| ★ | 02 | NE-499P02 | Housing | 1 |
| ★ | 03 | NE-499P03 | Motor Housing | 1 |
| ★ | 04 | NE-499P04 | Trigger | 1 |
| ★ | 05 | NE-499P05 | Lock Ring | 1 |
| ★ | 06 | NE-499P06 | Air Inlet | 1 |
| ● | 07 | NE-499P07 | O-Ring | 1 |
| ★ | 08 | NE-499P08 | Spring | 1 |
| ★ | 10 | NE-499P10 | Exhaust Deflector | 1 |
| ★ | 11 | NE-499P11 | Motor Housing | 1 |
| ▲ | 12 | NE-499P12 | Bushing | 1 |
| ★ | 13 | NE-499P13 | Throttle Valve Plunger | 1 |
| ● | 14 | NE-499P14 | O-Ring | 1 |
| ★ | 16 | NE-499P16 | Spring Pin | 1 |
| ★ | 17 | NE-499P17 | Reverse Knob | 1 |
| ★ | 18 | NE-499P18 | Pin | 1 |
| ● | 19 | NE-499P19 | Gasket | 1 |
| ▲ | 20 | NE-499P20 | Throttle Valve Assembly | 1 |
| ★ | 21 | NE-499T21 | Screw (4 PCS) | 1 SET |
| ▲ | 22 | NE-499P22 | O-Ring | 1 |
| ▲ | 23 | NE-499P23 | O-Ring | 1 |
| ▲ | 24 | NE-499P24 | Reverse Valve | 1 |
| ★ | 25 | NE-499P25 | Pin | 1 |
| ★ | 26 | NE-499P26 | Steel Ball Spring | 1 |
| ▲ | 27 | NE-499P27 | Bearing | 1 |
| ▲ | 28 | NE-499P28 | End Plate | 1 |
| ★ | 29 | NE-499T29 | Spring Pin (2 PCS) | 1 SET |

| | NO. | PART NO. | DESCRIPTION | QTY |
|---|-----|-----------|--------------------------------|-------|
| ★ | 30 | NE-499P30 | Cylinder | 1 |
| ● | 31 | NE-499T31 | Rotor Blade (7 PCS) | 1 SET |
| ★ | 32 | NE-499P32 | Rotor | 1 |
| ▲ | 33 | NE-499P33 | End Plate | 1 |
| ▲ | 34 | NE-499P34 | Spring Pin | 1 |
| ▲ | 35 | NE-499P35 | Bearing | 1 |
| ▲ | 36 | NE-499P36 | Washer | 1 |
| ● | 37 | NE-499T37 | Hammer Pin (2 PCS) | 1 SET |
| ▲ | 38 | NE-499P38 | Hammer Frame | 1 |
| ● | 39 | NE-499P39 | Hammer | 1 |
| ★ | 40 | NE-499T40 | Bushing (2 PCS) | 1 SET |
| ● | 41 | NE-499P41 | Work Spindle | 1 |
| ★ | 42 | --- | Washer | 1 |
| ★ | 43 | --- | Hammer Case Bushing | 1 |
| ▲ | 44 | NE-499P44 | Pin | 1 |
| ● | 45 | NE-499T45 | 1/2" Standard Anvil (45.14.51) | 1 SET |
| ★ | 46 | NE-499P46 | Retainer | 1 |
| ▲ | 47 | NE-499P47 | Thrust Washer | 1 |
| ★ | 48 | NE-499P48 | Retainer | 1 |
| ★ | 49 | NE-499P49 | O-Ring | 1 |
| ★ | 50 | NE-499P50 | Throttle Valve Seat | 1 |
| ★ | 51 | --- | Socket Retainer | 1 |
| ● | 52 | NE-499P52 | O-Ring | 1 |
| ● | 53 | NE-499P53 | O-Ring | 1 |
| ● | 57 | NE-499P57 | Needle Bearing | 1 |
| ★ | 58 | NE-499T58 | Screw (2 PCS) | 1 SET |
| ★ | 59 | --- | Grease Inlet | 1 |