

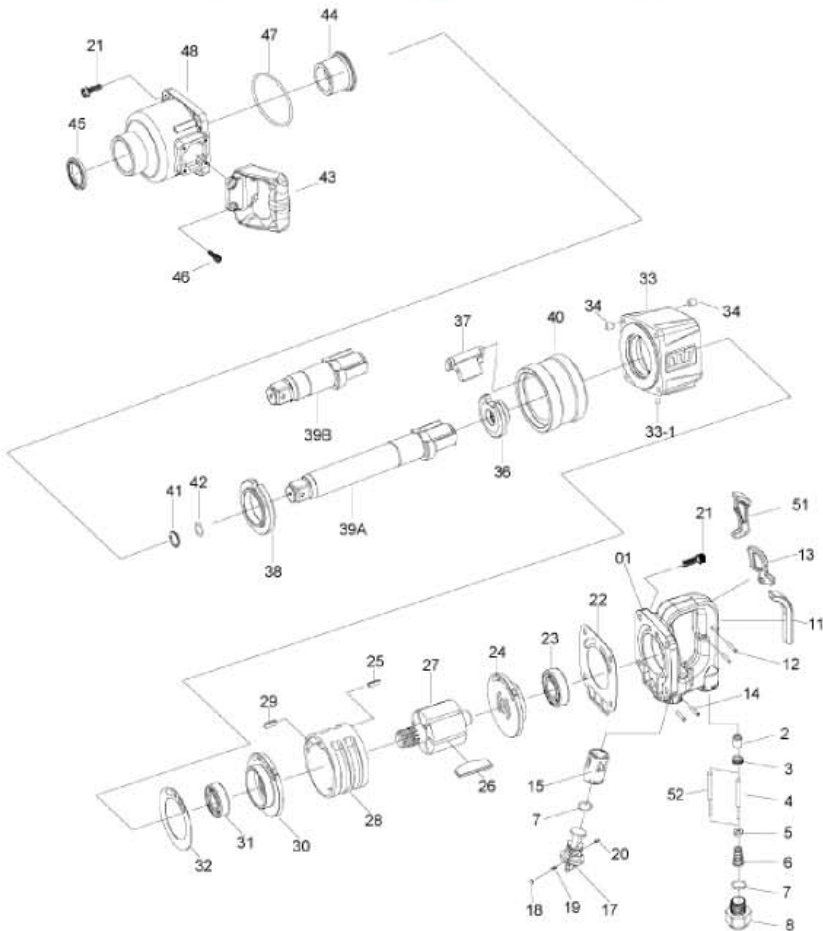


1" Air Impact Wrench

Item No : NC-8311 NC-8351



● The consumable parts ▲ The replacement parts ★ The non-replacement parts



Part List

Pin Less Type NC-8311 NC-8351

	NO.	PART NO.	DESCRIPTION	Q'TY
★	1	---	Backhead	1
★	2	---	Bushing	1
★	3	NC-8311P03	Throttle Valve Seat	1
★	4	NC-8311P04	Throttle Valve Plunger (For Inside Trigger)	1
★	5	NC-8311P05	Throttle Valve	1
★	6	NC-8311P06	Spring	1
●	7	NC-8311T07	O-Ring (2 PCS)	1 Set
★	8	NC-8311P08	Straight Air Inlet	1
★	11	NC-8311P11	Rubber Cap (For Inside Trigger)	1
★	12	NC-8311T12	Pin (2 PCS)	1 Set
★	13	NC-8311P13	Inside Trigger	1
★	14	NC-8311T14	Spring Pin (2 PCS)	1 Set
★	15	---	Reverse Valve Bushing	1
★	17	---	Reverse Valve	1
★	18	NC-8311P18	Steel Ball	1
★	19	NC-8311P19	Spring	1
★	20	---	Spring Pin	1
★	21	NC-8311T21	Screw (8 PCS)	1 Set
●	22	NC-8311P22	Gasket	1
▲	23	---	Ball Bearing	1
▲	24	---	Rear End Plate	1
★	25	NC-8311P25	Spring Pin	1
●	26	NC-8311T26	Rotor Blade (6 PCS)	1 Set
●	27	NC-8311P27	Rotor	1
★	28	NC-8311P28	Cylinder	1
★	29	NC-8311P29	Spring Pin	1
▲	30	---	Front End Plate	1
▲	31	---	Ball Bearing	1

	NO.	PART NO.	DESCRIPTION	Q'TY
●	32	NC-8311P32	Gasket	1
★	33	---	Housing	1
★	33-1	---	Steel Ball	4
★	34	---	Heli-Coil	8
●	36	NC-8311P36	Cam	1
●	37	NC-8311P37	Hammer	1
●	38	NC-8311P38	Axle Bushing	1
●	39A	---	6" Extend Anvil for NC-8351	1
●	39B	---	Standard Anvil for NC-8311	1
▲	40	NC-8311P40	Hammer Frame	1
●	41	---	Socket Retainer	1
●	42	---	O-Ring	1
●	43	NC-8311P43	Side Spade Handle	1
★	44	NC-8311P44	Bushing	1
★	45	NC-8311P45	Oil Seal	1
★	46	NC-8311T46	Screw (4 PCS)	1 Set
★	47	NC-8311P47	O-Ring	1
★	48	NC-8311P48	Hammer Case	1
★	51	NC-8311P51	Outside Trigger	1
★	52	NC-8311P52	Throttle Valve Plunger	1
★		NC-8311T01	Backhead Ass'y (1, 2, 15)	1 Set
★		NC-8311T02	Reverse Valve Ass'y (17, 20)	1 Set
★		NC-8311T03	Rear End Plate Ass'y (23, 24)	1 Set
▲		NC-8311T04	Front End Plate Ass'y (30, 31)	1 Set
▲		NC-8311T05	Housing Ass'y (33, 33-1(4), 34(8))	1 Set
★		NC-8311T06A	6" Extend Anvil Ass'y (39A, 41, 42)	1 Set
★		NC-8311T06B	Standard Anvil Ass'y (39B, 41, 42)	1 Set