

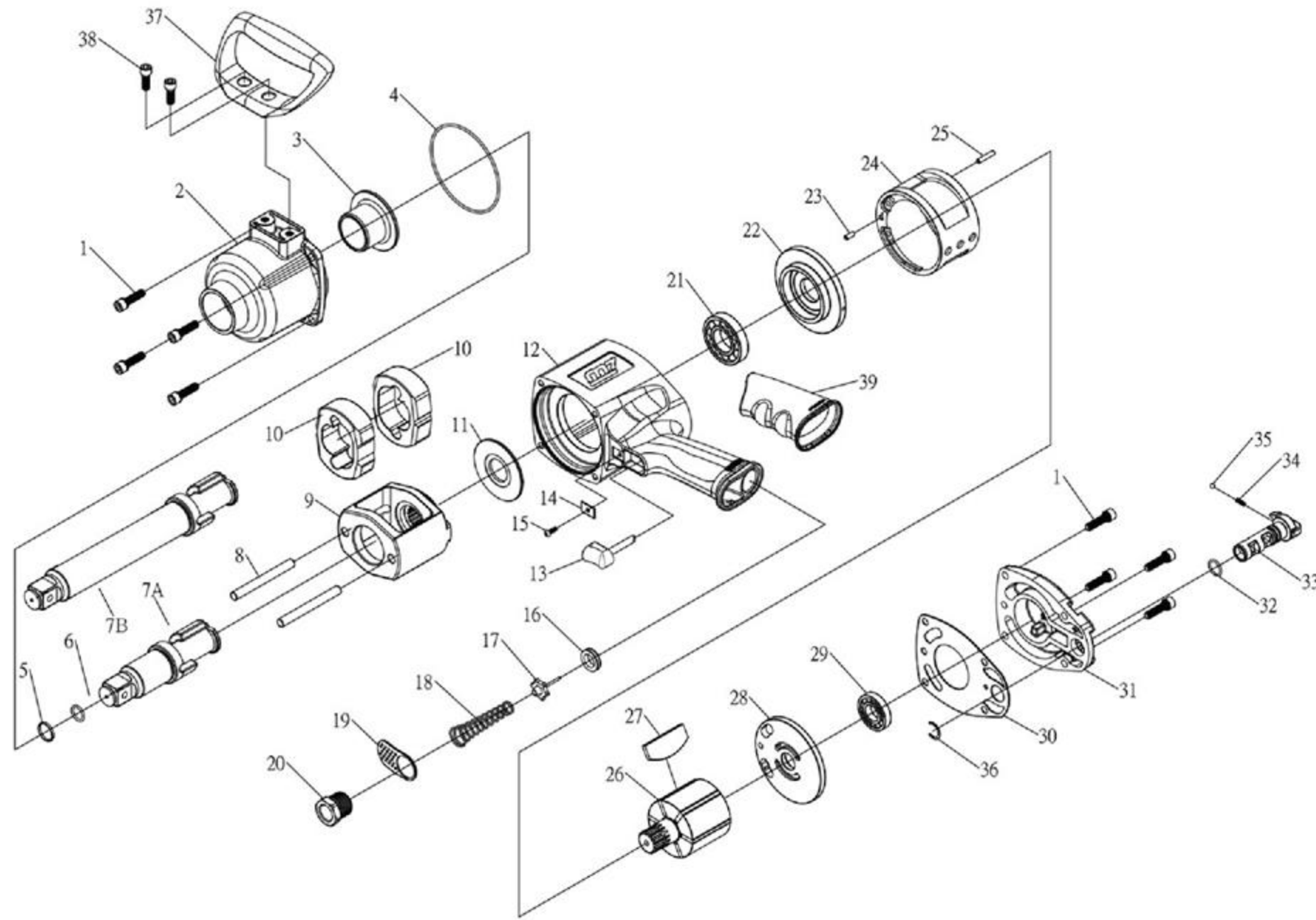


1" Air Impact Wrench

Item No : NC-8237



● The consumable parts ▲ The replacement parts ★ The non-replacement parts



Part List

Twin Hammer Type
NC-8237



NO.	Part No.	Description	Q'TY
★ 1	NC-8237T01	Screw (8Pcs)	1SET
★ 2	NC-8237T02	Hammer Housing (02.03)	1SET
★ 3	NC-8237P03	Anvil Bushing	1
● 4	NC-8237P04	O-Ring	1
● 5	NC-8237P05	Socket Retainer	1
● 6	NC-8237P06	Retainer O-Ring	1
● 7	NC-8237T07	Standard Anvil 1" (05.06.07)	1SET
● 7A	NC-8237T07A	6" Extended Anvil 1" (05.06.07A)	1SET
▲ 8	NC-8237T08	Hammer Pin (2Pcs)	1SET
▲ 9	NC-8237P09	Hammer Cage	1
● 10	NC-8237T10	Hammer Dog (2Pcs)	1SET
● 11	NC-8237P11	Hammer Frame Rear Spacer	1
★ 12	NC-8237P12	Motor Housing	1
★ 13	NC-8237P13	Trigger	1
★ 14	NC-8237P14	Trigger Retainer	1
★ 15	NC-8237P15	Screw	1
★ 16	NC-8237P16	Throttle Bushing	1
★ 17	NC-8237P17	Valve Stem	1
★ 18	NC-8237P18	Spring	1
★ 19	NC-8237P19	Exhaust Deflector	1

NO.	Part No.	Description	Q'TY
★ 20	NC-8237P20	Inlet Bushing	1
▲ 21	NC-8237P21	Ball Bearing	1
▲ 22	NC-8237P22	Front Plate	1
★ 23	NC-8237P23	Cylinder Pin	1
★ 24	NC-8237T24	Cylinder (23.24.25)	1SET
★ 25	NC-8237P25	Cylinder Pin	1
★ 26	NC-8237P26	Rotor	1
● 27	NC-8237T27	Rotor Blade (6Pcs)	1SET
▲ 28	NC-8237P28	Rear Plate	1
▲ 29	NC-8237P29	Ball Bearing	1
● 30	NC-8237P30	Gasket	1
★ 31	NC-8237P31	Housing Cap	1
● 32	NC-8237P32	O-Ring	1
★ 33	NC-8237P33	Reverse Valve	1
★ 34	NC-8237P34	Spring	1
★ 35	NC-8237P35	Steel Ball	1
★ 36	NC-8237P36	Retainer	1
★ 37	NC-8237P37	Handle	1
★ 38	NC-8237T38	Screw (2Pcs)	1SET
▲ 39	NC-8237P39	Grip	1