

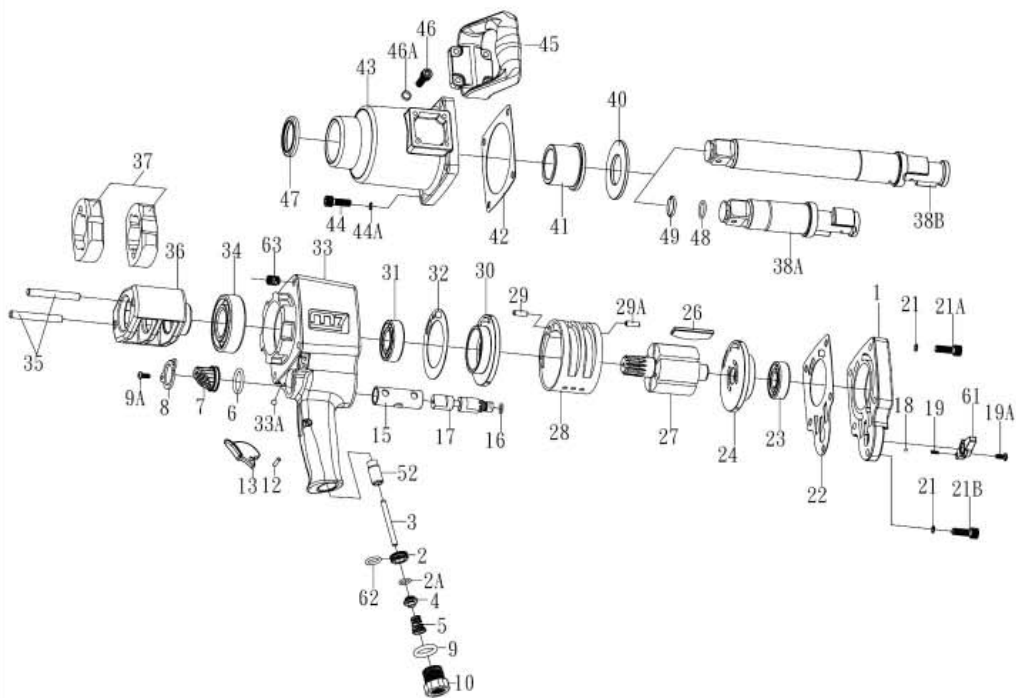


# 1" Air Impact Wrench

Item No : NC-8219



● The consumable parts ▲ The replacement parts ★ The non-replacement parts



## Part List

### New Twin Hammer Type NC-8219

|   | NO. | INDEX NO.    | DESCRIPTION             | QTY  |
|---|-----|--------------|-------------------------|------|
| ★ | 1   | ONC-8219P01  | Backhead                | 1    |
| ★ | 2   | ONC-8219P02  | Throttle Valve Seat     | 1    |
| ★ | 2A  | ONC-8219P02A | O-Ring                  | 1    |
| ★ | 3   | ONC-8219P03  | Throttle Valve Plunger  | 1    |
| ★ | 4   | ONC-8219P04  | Throttle Valve          | 1    |
| ★ | 5   | ONC-8219P05  | Spring                  | 1    |
| ★ | 6   | ONC-8219P06  | O-Ring                  | 1    |
| ★ | 7   | ONC-8219P07  | Exhaust Deflector       | 1    |
| ★ | 8   | ONC-8219P08  | Retainer                | 1    |
| ★ | 9   | ONC-8219P09  | O-Ring                  | 1    |
| ★ | 9A  | ONC-8219T09A | Screw                   | 2    |
| ★ | 10  | ONC-8219P10  | Air Inlet               | 1    |
| ★ | 12  | ONC-8219P12  | Trigger Pin             | 1    |
| ★ | 13  | ONC-8219P13  | Trigger                 | 1    |
| ★ | 15  | -            | Reverse Valve Bushing   | 1    |
| ★ | 16  | ONC-8219P16  | O-Ring                  | 1    |
| ★ | 17  | ONC-8219P17  | Reverse Valve           | 1    |
| ★ | 18  | ONC-8219P18  | Steel Ball              | 1    |
| ★ | 19  | ONC-8219P19  | Spring                  | 1    |
| ★ | 19A | ONC-8219P19A | Screw                   | 1    |
| ★ | 21  | -            | Spring Washer           | 5    |
| ★ | 21A | ONC-8219T21A | Screw Assembly 4pcs     | 1set |
| ★ | 21B | ONC-8219T21B | Screw Assembly          | 1    |
| ● | 22  | ONC-8219P22  | Gasket                  | 1    |
| ▲ | 23  | -            | Ball Bearing            | 1    |
| ▲ | 24  | ONC-8219T24  | Rear End Plate Assembly | 1    |
| ● | 26  | ONC-8219T26  | Rotor Blade 6pcs        | 1set |
| ▲ | 27  | ONC-8219P27  | Rotor                   | 1    |
| ★ | 28  | ONC-8219P28  | Cylinder                | 1    |
| ★ | 29  | ONC-8219P29  | Spring Pin              | 1    |

|   | NO. | INDEX NO.    | DESCRIPTION                | QTY  |
|---|-----|--------------|----------------------------|------|
| ★ | 29A | ONC-8219P29A | Spring Pin                 | 1    |
| ▲ | 30  | ONC-8219T30  | Front End Plate Assembly   | 1    |
| ▲ | 31  | -            | Ball Bearing               | 1    |
| ★ | 32  | ONC-8219P32  | Gasket                     | 1    |
| ★ | 33  | ONC-8219T33  | Housing Assembly           | 1    |
| ★ | 33A | -            | Steel Ball 4pcs            | 1set |
| ▲ | 34  | ONC-8219P34  | Ball Bearing               | 1    |
| ▲ | 35  | ONC-8219T35  | Hammer Pin 2pcs            | 1set |
| ▲ | 36  | ONC-8219P36  | Hammer Frame               | 1    |
| ● | 37  | ONC-8219T37  | Hammer 2pcs                | 1set |
| ● | 38A | ONC-8219T38A | standard Anvil (38A,48,49) | 1set |
| ● | 38B | ONC-8219T38B | 6" Anvil (38B,48,49)       | 1set |
| ★ | 40  | ONC-8219P40  | Washer                     | 1    |
| ★ | 41  | ONC-8219P41  | Bushing                    | 1    |
| ● | 42  | ONC-8219P42  | Gasket                     | 1    |
| ★ | 43  | ONC-8219P43  | Hammer Case                | 1    |
| ★ | 44  | ONC-8219T44  | Screw Assembly 4pcs        | 1set |
| ★ | 44A | -            | Spring Washer 4pcs         | 1set |
| ★ | 45  | ONC-8219P45  | Side Spade Handle          | 1    |
| ★ | 46  | ONC-8219T46  | Screw 4pcs                 | 1set |
| ★ | 46A | -            | Spring Washer 4pcs         | 1set |
| ★ | 47  | ONC-8219P47  | Oil Seal                   | 1    |
| ● | 48  | -            | O-Ring                     | 1    |
| ● | 49  | -            | Socket Retainer            | 1    |
| ★ | 52  | -            | Bushing                    | 1    |
| ★ | 61  | ONC-8219P61  | Reverse Valve Knob         | 1    |
| ★ | 62  | ONC-8219P62  | O-Ring                     | 1    |
| ★ | 63  | -            | Heli-Coil 9pcs             | 1set |