

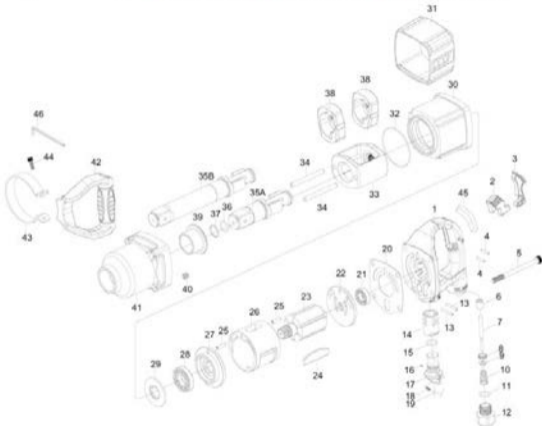


1" Air Impact Wrench

Item No : NC-8216 NC-8226



● The consumable parts ▲ The replacement parts ★ The non-replacement parts



Part List

Twin Hammer Type
NC-8216 NC-8226

	NO.	INDEX NO.	DESCRIPTION	Q'TY
★	1	NC-8216T01	Backhead Ass'y (1,6,14)	1set
★	2	NC-8216P02	Inside Trigger	1
★	3	NC-8216P03	Outside Trigger	1
★	4	NC-8216T04	Pin (2 PCS)	1set
★	5	NC-8216T05	Screw (4 PCS)	1set
★	6	-	Bushing	1
★	7	NC-8216P07	Throttle Valve Plunger	1
▲	8	NC-8216P08	Throttle Valve Seat	1
▲	9	NC-8216P09	Throttle Valve	1
▲	10	NC-8216P10	Spring	1
●	11	NC-8216P11	O-Ring	1
★	12	NC-8216P12	Air Inlet	1
★	13	NC-8216T13	Spring Pin (2 PCS)	1set
★	14	-	Reverse Valve Bushing	1
●	15	NC-8216P15	O-Ring	1
★	16	NC-8216T16	Spring Pin (2 PCS)	1set
★	17	NC-8216P17	Reverse Valve	1
★	18	NC-8216P18	Steel Ball	1
★	19	NC-8216P19	Spring	1
●	20	NC-8216P20	Gasket	1
▲	21	NC-8216P21	Ball Bearing	1
▲	22	NC-8216T22	Rear End Plate (21,22)	1Set
★	23	NC-8216P23	Rotor	1
●	24	NC-8216T24	Rotor Blade (6 PCS)	1set

	NO.	INDEX NO.	DESCRIPTION	Q'TY
★	25	NC-8216T25	Spring Pin (2 PCS)	1set
★	26	NC-8216P26	Cylinder	1
★	27	NC-8216P27	Front End Plate	1
▲	28	NC-8216P28	Ball Bearing	1
★	29	NC-8216P29	Washer	1
★	30	NC-8216P30	Motor Housing	1
●	31	NC-8216P31	Rubber Grp	1
★	32	NC-8216P32	O-Ring	1
▲	33	NC-8216P33	Hammer Cage	1
▲	34	NC-8216T34	Hammer Pin (2 PCS)	1set
●	35A	-	Standard Anvil Ass'y	1
●	35B	-	6" Extended Anvil for NC-8226	1
●	36	-	O-Ring	1
●	37	-	Socket Retainer	1
▲	38	NC-8216T38	Hammer (2 PCS)	1set
★	39	-	Anvil Bushing	1
★	40	-	Helix-Coil (4 PCS)	1set
★	41	NC-8216T41	Clutch Housing Ass'y (39,40,41)	1set
★	42	NC-8216T42	Side Spade Handle Ass'y (42,43)	1set
★	43	-	Strap	1
★	44	NC-8216T44	Screw (2 PCS)	1set
●	45	NC-8216P45	Rubber Cap (for inside Trigger)	1
★	46	NC-8216P46	setHex Key Wrench	1
●		NC-8216T02	Standard Anvil Ass'y(35A,36,37)	1set
●		NC-8216T03	6"Extended Anvil Ass'y (35B,36,37) for NC-8226	1set