

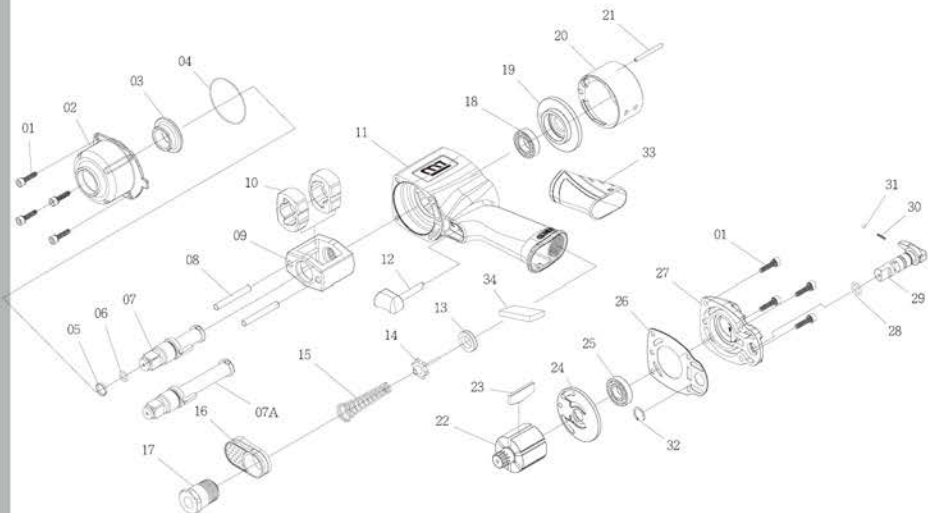


1/2" Air Impact Wrench

Item No : NC-4256Q NC-4256Q-2



● The consumable parts ▲ The replacement parts ★ The non-replacement parts



Part List Twin Hammer Type NC-4256Q NC-4256Q-2

No.	Part No.	Description	Q'ty
★	1	NC-4256T01 Screw (8 pcs)	1 SET
★	2	---- Clutch Housing	1
★	3	---- Anvil Bushing	1
▲	4	NC-4256P04 O-Ring	1
●	5	NC-4256P05 Socket Retainer	1
●	6	NC-4256P06 O-Ring	1
●	7	---- Standard Anvil Ass'y (05.06.07)	1 SET
●		NC-4256T07A 2" Ext. Anvil Ass'y (05.06.07A) for NC-4256Q-2	1 SET
▲	8	NC-4256T08 Hammer Pin (2 pcs)	1 SET
▲	9	NC-4256P09 Hammer Cage	1
●	10	NC-4256T10 Hammer (2 pcs)	1 SET
★	11	NC-4256P11 Motor Housing	1
★	12	NC-4256P12 Trigger	1
★	13	NC-4256P13 Throttle Valve Seat	1
★	14	NC-4256P14 Throttle Valve	1
★	15	NC-4256P15 Spring	1
★	16	NC-4256P16 Exhaust Deflector	1
★	17	NC-4256P17 Inlet Bushing	1

No.	Part No.	Description	Q'ty
▲	18	NC-4256P18 Ball Bearing	1
▲	19	NC-4256P19 Front End Plate	1
★	20	NC-4256P20 Cylinder	1
★	21	NC-4256P21 Cylinder Pin	1
★	22	NC-4256P22 Rotor	1
●	23	NC-4256T23 Rotor Blade (6 pcs)	1 SET
▲	24	NC-4256P24 Rear End Plate	1
▲	25	NC-4256P25 Ball Bearing	1
●	26	NC-4256P26 Gasket	1
★	27	NC-4256P27 BackHead	1
●	28	NC-4256P28 O-Ring	1
★	29	NC-4256P29 Reverse Valve	1
★	30	NC-4256P30 Spring	1
★	31	NC-4256P31 Steel Ball	1
★	32	NC-4256P32 Retainer	1
●	33	NC-4256P33 Rubber Grip	1
●	34	NC-4256P34 Muffler Element (for NC-4256Q,NC-4256Q-2)	1
★		NC-4256T02 Clutch Housing Ass'y (02.03)	1 Set
●		NC-4256T07 Anvil Ass'y (05.06.07)	1 Set
●		NC-4256T07A 2" Anvil Ass'y (05.06.07A) (NC-4266)	1 Set