

HOLEMAKER PRO 65

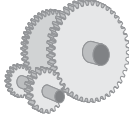
ULTRA HEAVY DUTY STEEL FABRICATION WORKHORSE



Cutters
65mm



Twist Drills
18mm

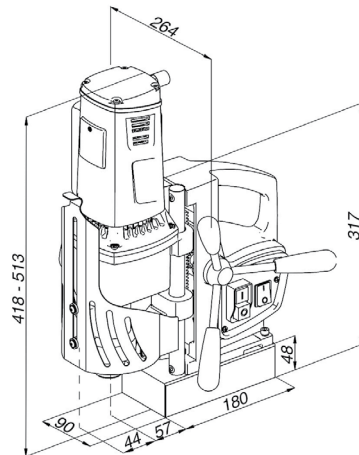


Gearbox
160 rpm
390 rpm

The Holemaker Pro 65 is designed to deliver exceptional value for money and return on investment, for both the machine and annular cutters. Every aspect of this machine has been designed to give zero lateral movement of the Annular Cutter, and constant RPM, meaning this machine will give massively increased cutter life - A very important factor for any high volume steel fabrication workshop.

Features:

- European made machine
- New 1600 watt Italian motor
- Dual rail slide system increases machine rigidity and cutter life
- Through cutter coolant system
- Feed handles can be placed on both sides
- Supplied in a blow mould carry case



Part No.	Capacity (Diameter)	Capacity (Depth)	Capacity (Twist Drills)	Motor Power	Input Power	Speed	Weight	Magnetic Dead Lift	Stroke	Height (min / max)
HMPRO65	65mm	75mm	18mm	1500 Watt	1600 Watt Single Phase 240V	2 Speed 160 / 390rpm	17kg	11000Nm On 25mm Steel Plate	95mm	479 / 574mm