

# HOLEMAKER PRO 35

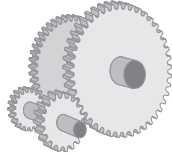
**QUALITY, COMPACT & ROBUST  
FULLY FEATURED MACHINE**



**Cutters**  
35mm



**Twist Drills**  
16mm



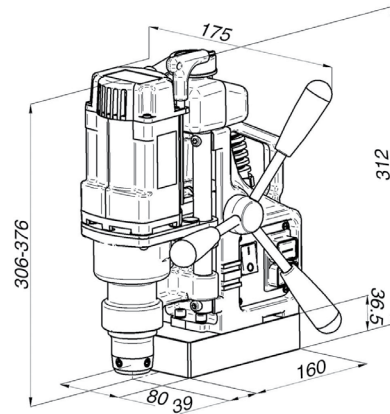
**Speed**  
350 rpm

**FEATURES**

- European Made
- Ideal for on-site and overhead tasks
- Solid, robust construction
- Dual rail slide system provides rigidity and eliminates the need for gib adjustments
- Gravity feed, through spindle coolant system
- Magnetically attached coolant bottle, which can be easily removed and attached to the work piece, allowing coolant feed whilst drilling in horizontal applications
- The feed handles can be placed on either the left or right hand side
- Cutter guard system is easy to use and practical.
- Smart magnet technology to ensure sufficient magnetic adhesion
- Supplied in a blow mold plastic carry case



Part No.	<b>HMPR035</b>
Capacity ( Diameter )	35mm
Capacity ( Depth )	52mm
Capacity ( Weldon Shank Twist Drills )	16mm
Motor Power	920 Watt
Input Power	1000 Watt Single Phase 240V
Speed	350rpm
Weight	10.0kg
Magnetic Dead Lift	9500Nm On 25mm Steel Plate
Stroke	70mm
Height ( min / max )	306 / 376mm



Part No.	Capacity (Diameter)	Capacity (Depth)	Capacity (Weldon Shank Twist Drills)	Motor Power	Input Power	Speed	Weight	Magnetic Dead Lift	Stroke	Height (min / max)
<b>HMPR035</b>	35mm	52mm	16mm	920 Watt	1000 Watt Single Phase 240V	350rpm	10.0kg	9500Nm On 25mm Steel Plate	70mm	306 / 376mm