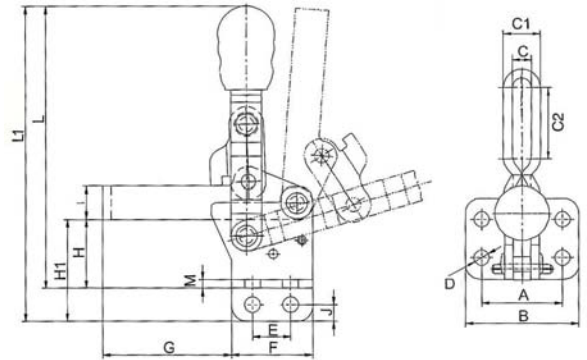


# TRADEMASTER TOGGLE CLAMPS

• Manufactured by Clamptek

## VERTICAL HANDLE

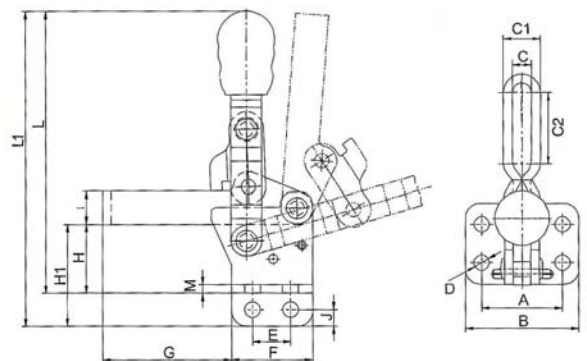
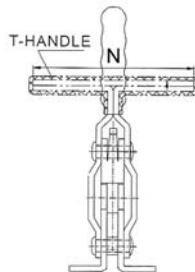
- Flanged base type
- Straight handle



Part No.	Hold Capacity	Spindle Type	Bar Type	Bar Opens	Handle Opens	Weight	A	B	C	C1	C2	D	E	F	G	H	I	J	L	M
CH-101-A	50kg	Cushion	U Bar	100°	56°	60g	23.8	33.3	5	9	17.5	4.4	15.9	25.4	26	19	8	4.8	77	2
CH-10752-B	75kg	Bolt	U Bar	195°	125°	50g	24	34	5.5	9.5	17	4.4	16	26	31	16	9	5	86.5	2
CH-12050	91kg	Cushion	Solid	100°	60°	170g	27	39.7	-	-	-	5.2	12.7	25.4	32.9	22.7	9.8	6.4	97.3	3
CH-11401	100kg	Bolt	Solid	95°	65°	200g	30	44	6.3	-	-	6.3	18	33	34	21.5	13	7	110	3
CH-11502-B	150kg	Bolt	U Bar	185°	110°	230g	26.8	37.8	6.2	12.2	24.5	5.1	12.7	27	43	23	11	5.4	123	3
CH-101-D-15	180kg	Cushion	U Bar	100°	60°	412g	31	42	9.4	15.4	132.7	6.3	19	39.4	154	36	14	5.5	145	3
CH-101-E-20	180kg	Cushion	U Bar	100°	60°	440g	31	42	9.4	15.4	182.7	6.3	19	39.4	204	36	14	5.5	145	3
CH-12205	182kg	Cushion	U Bar	101°	57°	620g	34.9	54	8.7	14.7	79.4	7.2	28.6	49.2	106.3	50.8	19	9.6	200	3
CH-11421	200kg	Bolt	U Bar	94°	45°	370g	33	50	11	17	-	8.5	24	43	63	38	16	8.5	139	3
CH-12130	227kg	Cushion	U Bar	100°	60°	355g	31.8	46	8.7	14.7	47.6	7.2	19	34.9	71.4	31.8	16	7.1	140	3
CH-12132	227kg	Cushion	U Bar	100°	60°	370g	31.8	46	8.7	14.7	71.4	7.2	19	34.9	95.2	31.8	16	7.1	140	3
CH-12265	340kg	Cushion	U Bar	105°	58°	635g	45.3	64.3	11	19	62.5	8.7	31.8	49.2	85.1	44	19	9.5	202	3
CH-101-EL	360kg	Cushion	U Bar	90°	60°	860g	45	65	11	19	52.3	8	41	62	85	47	18	10	230	4
CH-101-H	450kg	Bolt	U Bar	101°	63°	1250g	43	70	16.5	24.5	90.5	9	40	70	128	60	20.8	13.5	280	4
CH-10247	450kg	Bolt	U Bar	115°	68°	1250g	45.2	64.2	13.4	23.4	79.4	8.7	31.8	50.8	125.4	51	22.5	9.5	225.4	5

## VERTICAL HANDLE

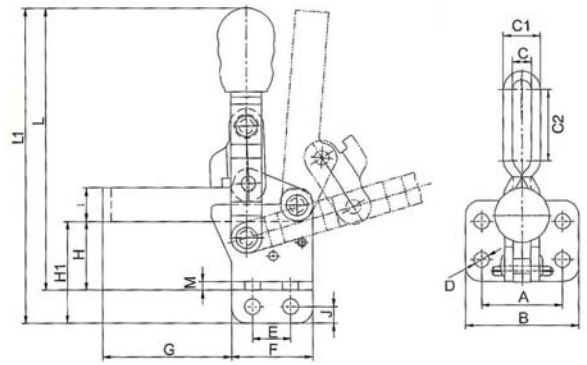
- Flanged base type
- Tee handle



Part No.	Hold Capacity	Spindle Type	Bar Type	Bar Opens	Handle Opens	Weight	A	B	C	C1	C2	D	E	F	G	H	I	J	L	M	N
CH-12131	227kg	Cushion	U Bar	100°	60°	370g	31.8	46	8.7	14.7	71.4	7.2	19	34.9	71.4	31.8	16	7.1	140	3	87
CH-12133	227kg	Cushion	U Bar	100°	60°	400g	31.8	46	8.7	14.7	71.4	7.2	19	34.9	95.2	31.8	16	7.1	140	3	87
CH-12285	340kg	Cushion	U Bar	105°	58°	710g	45.3	64.3	11	19	62.5	8.7	31.8	49.2	85.1	44	19	9.5	152	3	129

# VERTICAL HANDLE

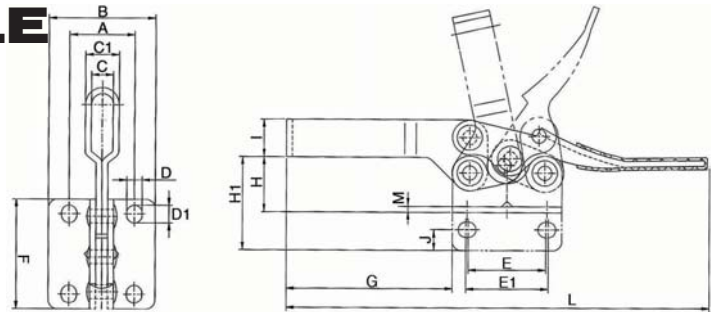
- Straight base type
- Straight handle



Part No.	Hold Capacity	Spindle Type	Bar Type	Bar Opens	Handle Opens	Weight	A	B	C	C1	C2	D	E	F	G	H1	I	J	L1	M
CH-10751-B	75kg	Bolt	U Bar	195°	125°	50g	-	-	5.5	9.5	17	4.4	16	26	31	28	9	5	98	2
CH-11501-B	150kg	Bolt	U Bar	185°	110°	230g	-	-	6.2	12.2	24.5	5.1	12.7	27	43	33.4	11	5.4	135	3
CH-12210	182kg	Cushion	U Bar	101°	57°	620g	-	-	8.7	14.7	79.4	7.2	28.6	49.2	106.3	70.4	19	9.6	220	3
CH-12137	227kg	Cushion	U Bar	100°	60°	370g	-	-	8.7	14.7	71.4	7.2	19	34.9	95.2	46.9	16	7.1	154	3
CH-12270	340kg	Cushion	U Bar	105°	58°	635g	-	-	11	19	62.5	8.7	31.8	49.2	85.1	67.2	19	9.5	224	3
CH-10248	450kg	Bolt	U Bar	115°	68°	1250g	-	-	13.4	23.4	79.4	8.7	31.8	50.8	125.4	67	22.5	9.5	241	5

# HORIZONTAL HANDLE

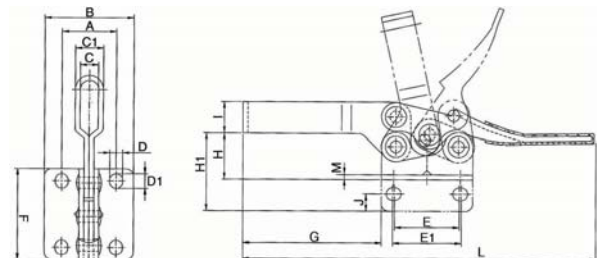
- Flanged base type



Part No.	Hold Capacity	Spindle Type	Handle Type	Bar Opens	Handle Opens	Weight	A	B	C	C1	D	D1	E	E1	F	G	H	I	J	L	M
CH-20400	20kg	Bolt	Flat	55°	60°	25.5g	15	24.5	5	8	4	5.75	11.3	14.8	24	17.6	9.8	6.5	4.75	66	1.5
CH-201-B	90kg	Cushion	Flat	85°	60°	130g	22	36	7.4	11.4	5.2	6.4	25.4	27.8	37	56.2	25.4	12.7	7	142	2
CH-201-C	100kg	Cushion	Straight	79°	92°	147g	25.0	38	7	11	5	5	28	28	40	50	26	13	6.5	146	2
CH-225-D	227kg	Cushion	Flat	90°	65°	265g	22.2	35	8.7	14.7	6.7	9	20.8	25.4	38	70	34.9	12.7	6.4	168	3
CH-22165	250kg	Cushion	Flat	96°	88°	285g	22.2	34.9	8.7	14.7	7.1	10.3	25.4	31.8	55.5	71.4	33.3	14.3	6.35	185	3
CH-20235	340kg	Cushion	Straight	85°	50°	700g	41.3	57.2	11	19	8.3	8.3	41.3	41.3	57.1	107	44.5	19	7.9	292	4
CH-200-W	400kg	Cushion	Straight	75°	77°	600g	30.0	50	12.6	19	10	10	42	42	70	60	54	20.5	10	240	3

# HORIZONTAL HANDLE

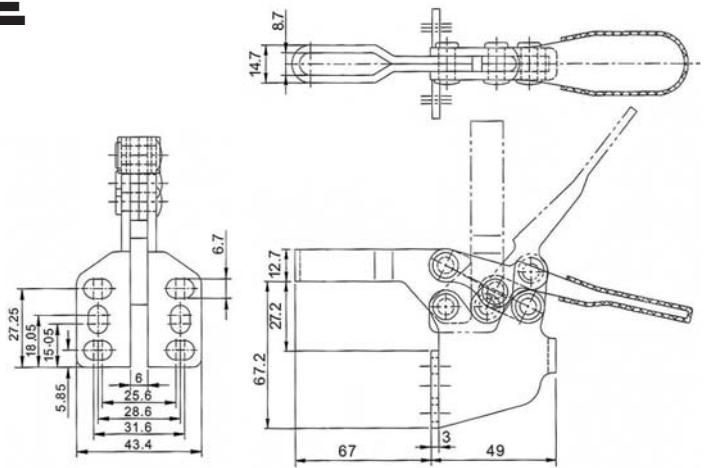
- Straight base type



Part No.	Hold Capacity	Spindle Type	Handle Type	Bar Opens	Handle Opens	Weight	A	B	C	C1	D	D1	E	E1	F	G	H1	I	J	L	M
CH-201-BI	90kg	Cushion	Flat	85°	60°	130g	-	-	7.4	11.4	5.2	6.4	25.4	27.8	37	56.2	37.9	12.7	7	142	2
CH-225-DI	227kg	Cushion	Flat	90°	65°	265g	-	-	8.7	14.7	6.7	9	20.8	25.4	38	70	48.7	12.7	6.4	168	3
CH-22170	250kg	Cushion	Flat	96°	88°	285g	-	-	8.7	14.7	7.1	10.3	25.4	31.8	55.5	71.4	45.7	14.3	6.35	185	3
CH-20236	340kg	Cushion	Straight	85°	50°	700g	-	-	11	19	8.3	8.3	41.3	41.3	57.1	107	63	19	7.9	292	4

# HORIZONTAL HANDLE

- Side mount type

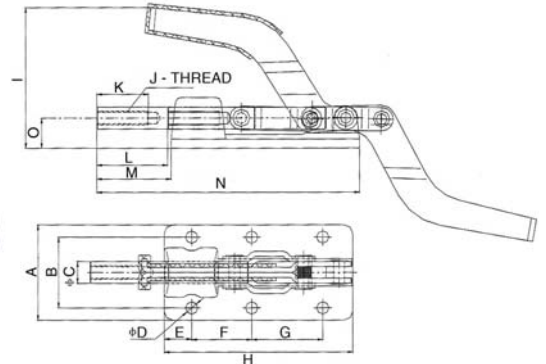
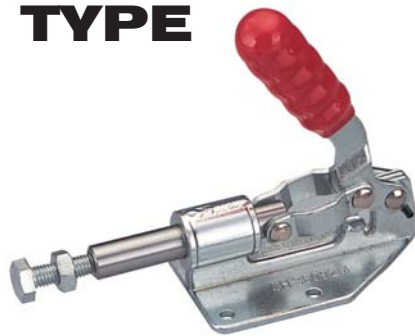


**PART NO.** CH-225-DSM

Holding Capacity	Spindle Type	Bar Type	Bar Opens	Handle Opens	Weight
227kg	Cushion	U Bar	90°	65°	315g

# PUSH / PULL TYPE

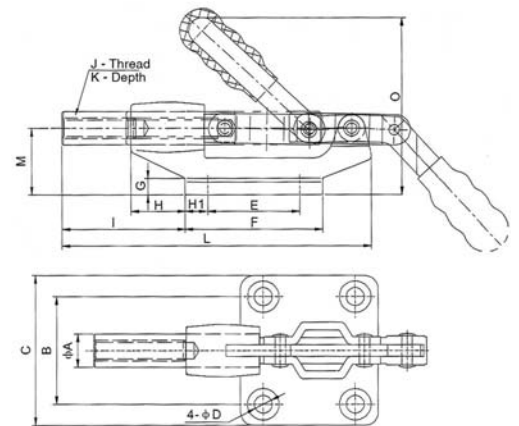
- Alloy base



Part No.	Hold Capacity	Plunger Stroke	Handle Opens	Weight	A	B	ΦC	ΦD	E	F	G	H	I	J	L	M	N	O
CH-302-FM	136kg	32mm	180°	300g	56	41	11	5.5	11	35	-	91	78	M8 X 1.25	32	49	150	24.6
CH-36092M	180kg	32mm	180°	397g	55.6	41.3	12.7	5.2	7	34	-	92	78	M8 X 1.25	32	38	130	24.6
CH-30607M	318kg	41.3mm	180°	700g	55.6	41.3	12.7	7.1	15.9	34.9	41.3	109.5	83	M8 X 1.25	41.3	43.7	152.7	17.5
CH-36010M	364kg	40.9mm	180°	800g	57.2	41.3	15.7	8.7	7.9	41.3	-	57.2	114.8	M10 X 1.5	40.9	-	171.4	44.4
CH-36330M	1136kg	50.8mm	180°	1050g	57	41.3	15.8	8.7	12.7	34.9	41.3	127.8	72	M10 X 1.5	50.8	52.4	180.2	20.6

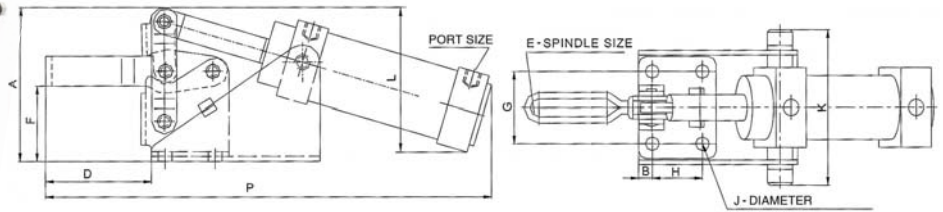
# PUSH / PULL TYPE

- Iron base



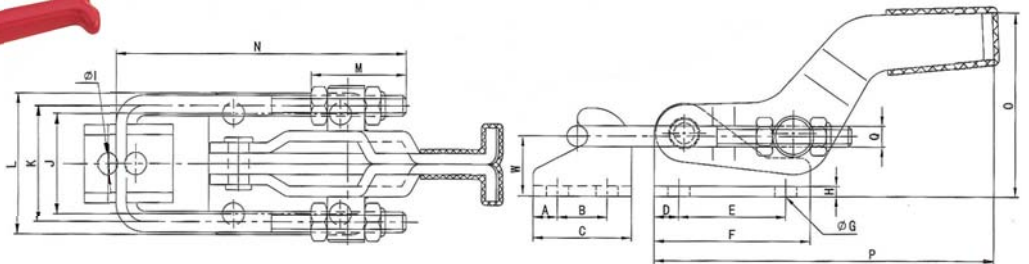
Part No.	Hold Capacity	Plunger Stroke	Handle Opens	Weight	ΦA	B	C	ΦD	E	F	G	H	H1	I	J	K	L	M	O
CH-304-CM	227kg	32mm	185°	340g	12.7	41.1	57.2	6.7	35	52.4	4.8	20.6	8.7	54.8	M8X1.25	30.2	125.7	25.4	74.2
CH-305-EM	386kg	42mm	185°	580g	16	41.1	57.2	8.3	41.1	58.8	4.8	31.8	8.8	76	M10X1.50	39.2	158.2	31.8	119.5
CH-304-HM	680kg	60mm	185°	1480g	19.2	50.8	71.4	8.3	50.8	73.2	6.4	50.8	11.1	119.8	M12X1.75	49.2	235	44.4	133.4

# PNEUMATIC POWERED



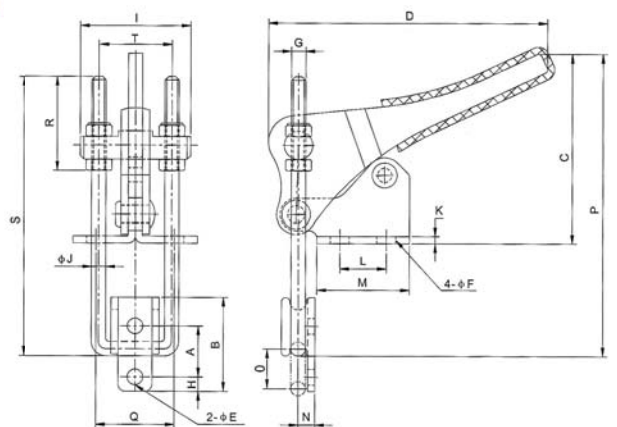
Part No.	Hold Capacity	Spindle Type	Bar Type	Bar Opens	Port Size	Weight	A	B	D	E	F	G	H	J	K	L	P
CH-12050-UA	91kg	Cushion	Solid bar	92°	G 1/8"	620g	57	6.3	35	1/4 -20 x 1- 3/4	25.7	27	12.7	5.2	69	51	185
CH-12130-A	227kg	Cushion	U Bar	92°	G 1/8"	900g	75.4	11	68	5/16-18 x 2- 1/2	34.8	31.8	19	7.1	74	75	246
CH-12132-A	227kg	Cushion	U Bar	92°	G 1/8"	900g	75.4	11	88	5/16-18 x 2- 1/2	34.8	31.8	19	7.1	74	75	270
CH-12265-A	340kg	Cushion	U Bar	86°	G 1/8"	1640g	97	8.7	92	3/8-16 x 3- 1/2	47.2	45.2	31.8	8.7	98	92	302
CH-10247-A	450kg	Bolt	U Bar	95°	G 1/8"	3620g	110	9.5	125.4	1/2 -12 x 3	56.8	45.2	31.8	8.7	113	105	407

# LATCH CLAMPS



Part No.	Hold Capacity	Weight	A	B	C	D	E	F	G	H	I	J	K	L	M	N	O	P	Q	W
CH-40323	163kg	70g	5	10	20	5.2	15.9	26.2	4.4	2	4.4	19	19	28.2	24	57	29.3	75	M4 X 0.7	12
CH-431	318kg	225g	6.8	12	25.4	6.4	19	39.7	6.7	3	6.3	31.6	27	44.4	38	87	41.3	123.7	M5 X 1.0	12.2
CH-40341	900kg	680g	9.5	19.2	38.1	9.5	41.3	60.3	8.6	4	8.5	38.1	44.5	54	52	115	74	168.5	M8 X 1.25	23.2

# CORNER LATCH CLAMPS



Part No.	Hold Capacity	Weight	A	B	C	D	E	F	G	H	I	J	K	L	M	N	O	P	Q	R	S	T
CH-40324	225kg	100g	14.3	25.4	53.3	79	4.4	5.3	M4 X 0.7	4	31	4	2	13	26	4.7	11.1	85	22	26.5	78.5	20.5
CH-40334	450kg	290g	20.6	38.1	61.9	120	7.1	7.1	M6 X 1.0	7.1	41.3	6.35	3	19.1	33.3	8.7	17.5	108.5	25.4	40.5	114	28
CH-40344	900kg	660g	27	54	88.7	130.2	8.7	8.7	M8 X 1.25	9.5	60.3	7.9	4	31.8	47.6	12.7	28.6	150	36.5	58	154	44.5