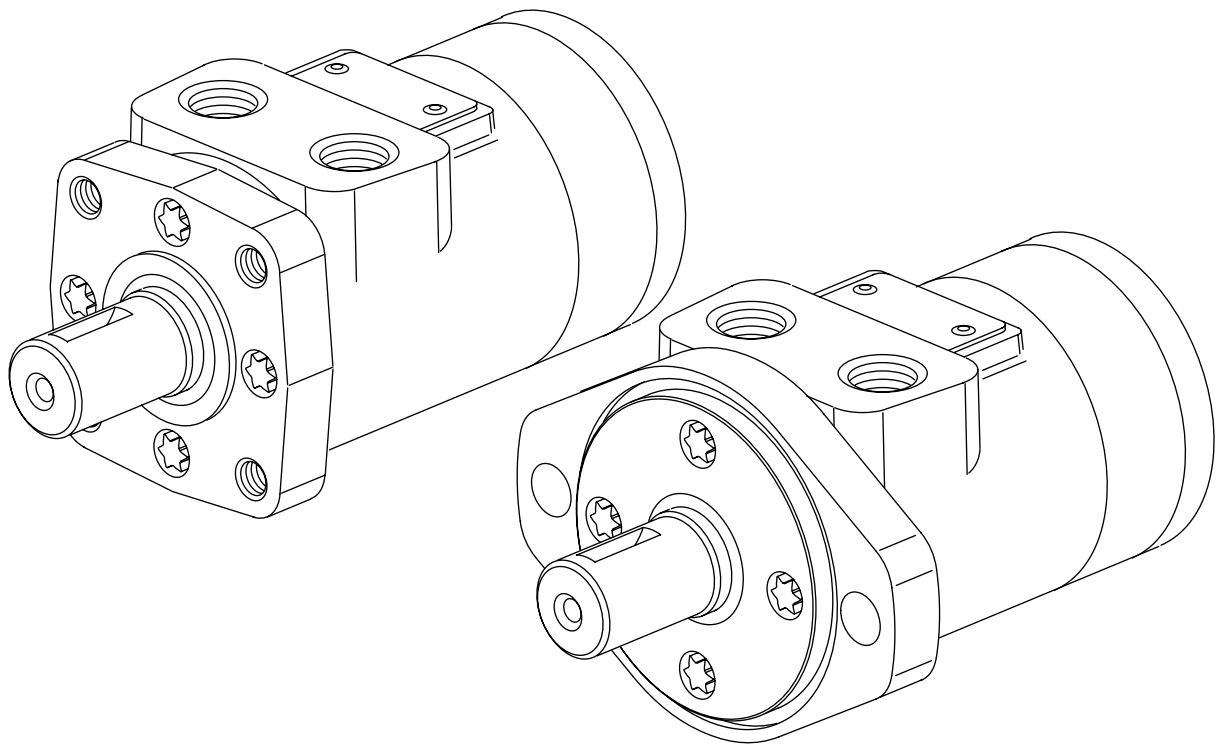




Parts Information



General Purpose
H Series Motors

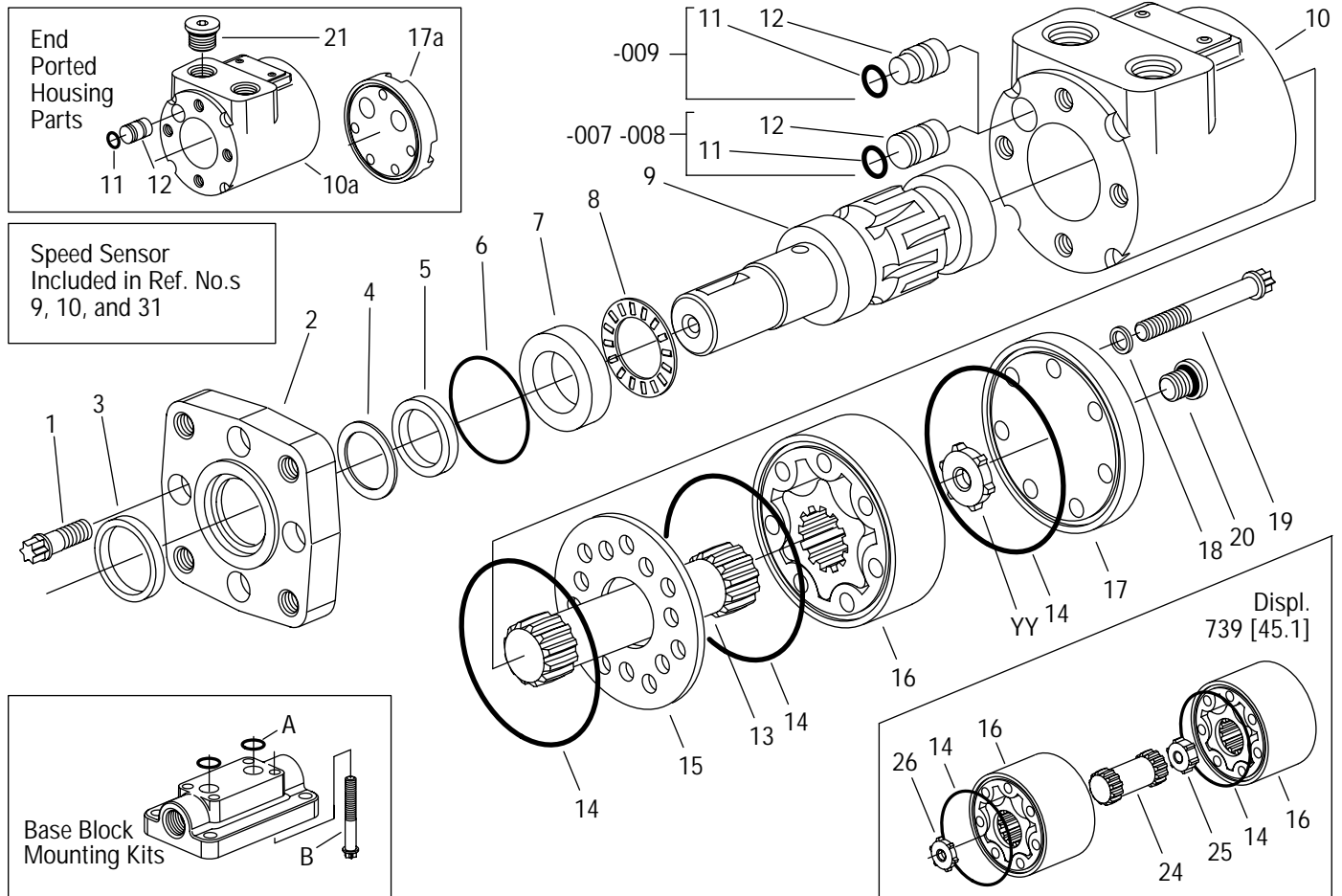
007 008 009

-007 Design Code

Displ. cm ³ /r [in ³ /r]	Ref. No. 13		Ref. No. 16		Ref. No. YY		Ref. No. 19	
	Drive	Length mm [in.]	Gerotor	Width mm [in.]	Spacer	Width mm [in.]	Screw, Cap	Length mm [in.]
49 [3.0]	602-000	76,2 [3.00]	8277-001	6,4 [.25]	N/A		16294-150	38,1 [1.50]
74 [4.5]	602-000	76,2 [3.00]	8277-002	9,7 [.38]	N/A		16294-162	41,4 [1.62]
102 [6.2]	616-000	81,8 [3.22]	8277-003	13,2 [.52]	N/A		16294-175	44,5 [1.75]
169 [10.3]	616-000	81,8 [3.22]	8277-004	21,8 [.86]	6901-002	7,9 [.31]	16294-212	54,1 [2.12]
195 [11.9]	616-000	81,8 [3.22]	8277-005	25,4 [1.00]	6901-003	12,2 [.48]	16294-225	57,1 [2.25]
244 [14.9]	616-000	81,8 [3.22]	8277-006	31,7 [1.25]	6901-005	18,5 [.73]	16294-250	63,5 [2.50]
277 [16.9]	616-000	81,8 [3.22]	8277-007	38,1 [1.50]	6901-006	24,9 [.98]	16294-275	69,8 [2.75]
390 [23.8]	616-000	81,8 [3.22]	8277-008	50,8 [2.00]	6901-008	37,6 [1.48]	16294-325	82,6 [3.25]

-008 Design Code

Displ. cm ³ /r [in ³ /r]	Ref. No. 13		Ref. No. 16		Ref. No. YY		Ref. No. 19	
	Drive	Length mm [in.]	Gerotor	Width mm [in.]	Spacer	Width mm [in.]	Screw, Cap	Length mm [in.]
49 [3.0]	602-000	76,2 [3.00]	8277-001	6,4 [.25]	N/A		16294-150	38,1 [1.50]
74 [4.5]	602-000	76,2 [3.00]	8277-002	9,7 [.38]	N/A		16294-162	41,4 [1.62]
102 [6.2]	616-000	81,8 [3.22]	8277-003	13,2 [.52]	N/A		16294-175	44,5 [1.75]
169 [10.3]	8664-000	91,7 [3.61]	8277-004	21,8 [.86]	N/A		16294-212	54,1 [2.12]
195 [11.9]	8664-000	91,7 [3.61]	8277-005	25,4 [1.00]	6901-009	3,4 [.14]	16294-225	57,1 [2.25]
244 [14.9]	8664-000	91,7 [3.61]	8277-006	31,7 [1.25]	6901-002	7,9 [.31]	16294-250	63,5 [2.50]
277 [16.9]	8634-000	107,4 [4.24]	8277-007	38,1 [1.50]	N/A		16294-275	69,8 [2.75]
390 [23.8]	8634-000	107,4 [4.24]	8277-008	50,8 [2.00]	6901-004	14,0 [.55]	16294-325	82,6 [3.25]



H Series Motors

-009 Design Code

Displ. cm ³ /r [in ³ /r]	Ref. No. 13		Ref. No. 16		Ref. No. YY		Ref. No. 19	
	Drive	Length mm [in.]	Gerotor	Width mm [in.]	Spacer	Width mm [in.]	Screw, Cap	Length mm [in.]
37 [2.2]	602-000	76,2 [3.00]	21850-022	6,4 [.25]	N/A		16294-150	38,1 [1.50]
46 [2.8]	602-000	76,2 [3.00]	8277-001	6,4 [.25]	N/A		16294-150	38,1 [1.50]
59 [3.6]	22250-000	80,0 [3.15]	21850-023	10,2 [.40]	N/A		16294-162	41,1 [1.62]
74 [4.5]	22250-000	80,0 [3.15]	8277-024	10,2 [.40]	N/A		16294-162	41,1 [1.62]
96 [5.9]	616-000	81,8 [3.22]	8277-003	13,2 [.52]	N/A		16294-175	44,5 [1.75]
120 [7.3]	22251-000	86,4 [3.40]	8277-009	16,5 [.65]	N/A		16294-188	47,8 [1.88]
146 [8.9]	22252-000	89,9 [3.54]	8277-020	20,1 [.79]	N/A		16294-200	50,8 [2.00]
159 [9.7]	8664-000	91,7 [3.61]	8277-004	21,8 [.86]	N/A		16294-212	53,8 [2.12]
185 [11.3]	22189-000	95,8 [3.77]	8277-005	25,4 [1.00]	N/A		16294-225	57,1 [2.25]
231 [14.1]	22190-000	102,1 [4.02]	8277-025	31,7 [1.25]	N/A		16294-250	63,5 [2.50]
293 [17.9]	22253-000	110,5 [4.35]	8277-026	40,4 [1.59]	N/A		16294-288	73,2 [2.88]
370 [22.6]	22191-000	121,2 [4.77]	8277-027	50,8 [2.00]	N/A		16294-325	82,6 [3.25]
739 [45.1]	8634-000	107,4 [4.23]	21850-028 (2)	50,8 [2.00] (ea.)	(See Ref. 25 and 26)		16294-525	133,3 [5.25]

Ref. No.	Design Code/Part Number			Description	Quantity
	-007	-008	-009		
1	16292-088	16292-088	16292-088	Screw, Cap (6 Point (E10) Drive 5/16-24 UNF x 7/8)	4
2	7463-000	22000-001	22000-001	Flange Mounting (2 Bolt)	1
	7464-000	22000-002	22000-002	Flange Mounting (4 Bolt) 3/8-16 UNC	1
	—	22000-006	22000-006	Flange Mounting (4 Bolt) M10 x 1,5	1
	—	22000-004	22000-004	Flange Mounting (2 Bolt SAE B)	1
	—	22000-005	22000-005	Flange Mounting (4 Bolt Magneto)	1
X 3	9121-002	9121-002	9121-002	Seal, Exclusion	1
X 4	N/A	22002-000	22002-000	Washer, Backup	1
X 5	9057-001	9057-014	9057-014	Seal, Pressure	1
X 6	9091-001	9091-001	9091-001	Seal	1
7	7462-000	7462-000	7462-000	Race, Thrust Bearing	1
8	7537-000	7537-000	7537-000	Bearing, Thrust Needle	1
9	7360-001	7360-001	7360-001	Shaft, Output (1 in. Dia. Straight with Woodruff Key Slot)	1
			220879-001	Shaft, Output (1 in. Dia. Straight with Woodruff Key Slot — <i>Sensor Shaft</i>)	1
	7360-002	7360-002	7360-002	Shaft, Output (SAE 6B Splined)	1
	7360-007	7360-007	7360-007	Shaft, Output (1 in. Dia. Straight with .315 Dia. Crosshole)	1
	7360-008	7360-008	7360-008	Shaft, Output (1 in. Dia. Straight with .406 Dia. Crosshole)	1
	7360-024	7360-024	7360-024	Shaft, Output (25 mm Dia. Straight)	1
	7360-016	7360-016	7360-016	Shaft, Output (7/8 in. Dia. SAE B 13 T Splined)	1
	7360-017	7360-017	7360-017	Shaft, Output (7/8 in. Dia. Straight SAE B Straight)	1
	7360-018	7360-018	7360-018	Shaft, Output (1 in. Dia. Tapered)	1
	14193-000	14193-000	14193-000	Key, Woodruff (1 in. Dia. Straight Shaft)	1
	14193-000	14193-000	14193-000	Key, Woodruff (for Tapered Shaft)	1
	14391-004	14391-004	14391-004	Key, Straight (for 7/8 in. Dia. Shaft)	1
	14462-006	14462-006	14462-006	Key, Straight (for 25 mm Dia. Shaft)	1
	14381-000	14381-000	14381-000	Nut (for Tapered Shaft)	1

Continued on Next Page (Page 4)

Char-Lynn General Purpose Motors — H Series



Continued from Page 3

Ref. No.	Design Code/Part Number			Description	Quantity
	-007	-008	-009		
10	7359-001	7359-001	22230-001	Housing, 7/8-14 O-ring Ports	1
			201225-001	Housing, 7/8-14 O-ring Ports — <i>Sensor Housing</i>	1
	7359-002	7359-002	22230-002	Housing, 1/2 NPTF Ports	1
			201225-002	Housing, 1/2 NPTF Ports — <i>Sensor Housing</i>	1
	7359-003	7359-003	22230-003	Housing, Manifold Ports (5/16-18 UNC)	1
	7359-006	7359-006	22230-006	Housing, G 1/2 (BSP) Ports	1
	7359-004	7359-004	22230-004	Housing, Manifold Ports (M8 x 1.5)	1
10a	21388-000	21388-000	22294-001	Housing, End Ported Motor	1
X 11	15007-000	15007-000	250001-011	O-ring	1
12	8985-000	8985-000	22229-000	Plug	1
13	*	*	*	Drive	1
X 14	9086-002	9086-002	9086-002	Seal (Displ. 739 [45.1] — Qty. 4)	3
15	7358-000	7358-000	7358-000	Plate, Spacer	1
16	*	*	*	Gerotor (Displ. 739 [45.1] — Qty. 2)	1
17	7461-000	7461-000	7461-000	Cap, End (without Port(s))	1
	7611-000	7611-000	7611-000	Cap, End (with 7/16-20 O-ring Drain Port)	1
	21779-000	21779-000	21779-000	Cap, End (with G 1/4 (BSP) Drain Port)	1
17a	21387-001	21387-001	21387-001	Cap, End (with 3/4-16 O-ring Ports (2))	1
	21387-002	21387-002	21387-002	Cap, End (with 3/4-16 O-ring Ports (2) and 7/16-20 O-ring Drain Port)	1
	21387-003	21387-003	21387-003	Cap, End (with G 1/2 (BSP) Ports (2) and G 1/4 (BSP) Drain Port)	1
X 18	14488-000**	14488-000**	14488-000**	Seal, Washer	7
19	*	*	*	Screw, Cap (6 Point (E10) Drive 5/16-24 UNF) (End Ported— Qty. 5)	7
20	9072-003	9072-003	9072-003	Plug/ O-ring (7/16-20 Drain Port)	1
X	250003-904	250003-904	250003-904	O-ring for 7/16-20 Drain Port Plug	1
	9170-002	9170-002	9170-002	Plug/O-ring (G 1/4 (BSP) Drain Port)	1
	—	—	—	O-ring for G 1/4 (BSP) Drain Port Plug	1
21	9072-007	9072-007	9072-007	Plug/ O-ring, Housing (7/8-14 Plug S/A used w/End Ported Motors)	2
X	250003-910	250003-910	250003-910	O-ring for 7/8-14 Housing Port Plug	2
	9179-007	9179-007	9179-007	Plug/ O-ring (Viton), Housing (7/8-14 Plug S/A used w/End Ported Motors)	2
	250017-910	250017-910	250017-910	O-ring (Viton) for 7/8-14 Housing Port Plug	2
24	—	—	45-000	Drive (Displ. 739 [45.1] Only)	1
25	—	—	6901-002	Spacer (Displ. 739 [45.1] Only)	1
26	—	—	6901-009	Spacer (Displ. 739 [45.1] Only)	1
YY	*	*	N/A	Spacer	1
31			201137-001	Sensor, Speed (127mm [5.0 in.] Lead Wire)	1
Seal Kit	60023-000	60540-000	60540-000	Seal Kit (Buna N) — Contains Parts Indicated by X	
	60032-000	60545-000	60545-000	Seal Kit (Viton) — Contains Parts Indicated by X (Part No.s Differ from those Shown)	
Mounting Kit	123-1007	123-1007	123-1007	Base Block Mounting Kit (1/2 NPTF Ports (Manifold Mount Motors Only))	
	123-1008	123-1008	123-1008	Base Block Mounting Kit (7/8-14 O-ring Ports (Manifold Mount Motors Only))	
X A	15058-000	15058-000	15058-000	Seal, O-ring (2)	
B	267512-019	267512-019	267512-019	Screw, Cap (5/16-18 Thread (4))	
	—	—	14474-003	Screw, Cap (M8 x 1.5) Thread (4))	

* See Chart on Page 2

** Used with 12 Point Cap Screws Only (Replacement Screws are 6 Point (E10) Drive, no Seal Washer Required).

H Series Motors

Notes: _____

H Series Motors

Notes: _____



H Series Motors

Notes: _____

H Series Motors

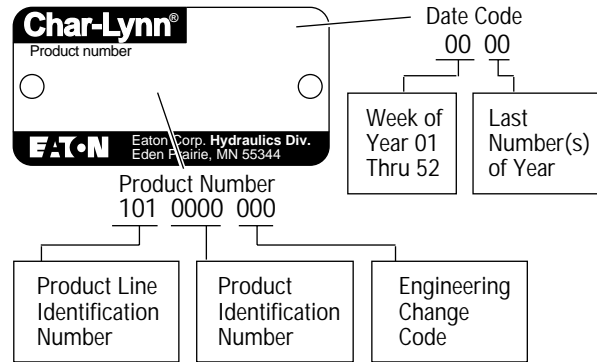
How to Order Replacement Parts

Each Order Must Include the Following:

1. Product Number
2. Date Code
3. Part Name
4. Part Number
5. Quantity of Parts

For More Detailed Information Contact Eaton Corp. Hydraulics Division 15151 Highway 5 Eden Prairie, MN 55344.

- Specifications and performance data, Catalog No. 11-885
- When servicing H Series Motors refer to Repair Information No. 7-117. This repair manual lists tools required, and step by step disassembly and reassembly procedures.



Eaton Corporation
Hydraulics Division
15151 Hwy. 5
Eden Prairie, MN 55344
Telephone 612/937-9800
Fax 612/937-7130

Eaton Ltd.
Hydraulics Division
Glenrothes, Fife
Scotland, KY7 4NW
Telephone 01-592-771-771
Fax 01-592-773-184

Eaton GmbH
Hydraulics Products
Am Schimmersfeld 7
40880 Ratingen, Germany
Telephone 02102-406-830
Fax 02102-406-800



Quality System Certified
Products in this catalog are manufactured
in an ISO-9001-certified site.

<http://www.eaton.com>

Copyright Eaton Corporation, 1987, 1993, 1995, 1996 and 1998
All Rights Reserved
Printed in USA

Form No. 6-121

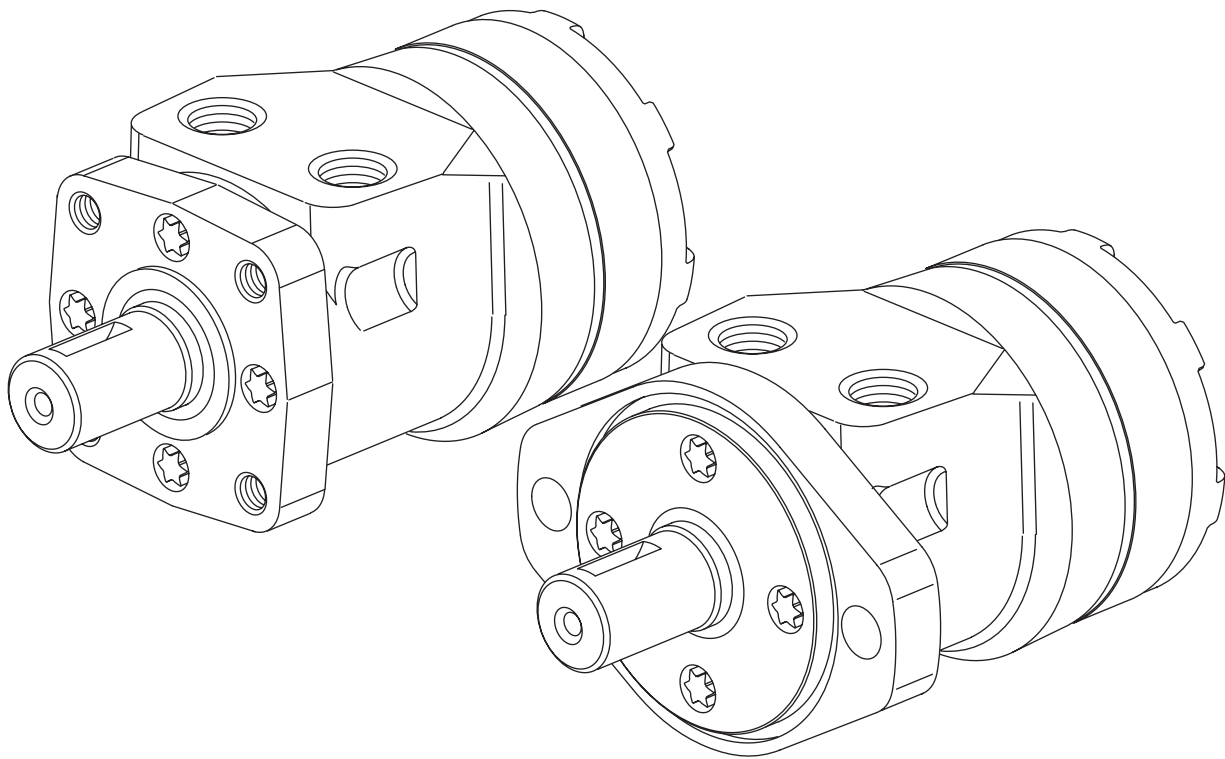


Char-Lynn®
Hydraulic Motors

October, 1997



Parts Information



**General Purpose
S Series Motors**

008 009 010

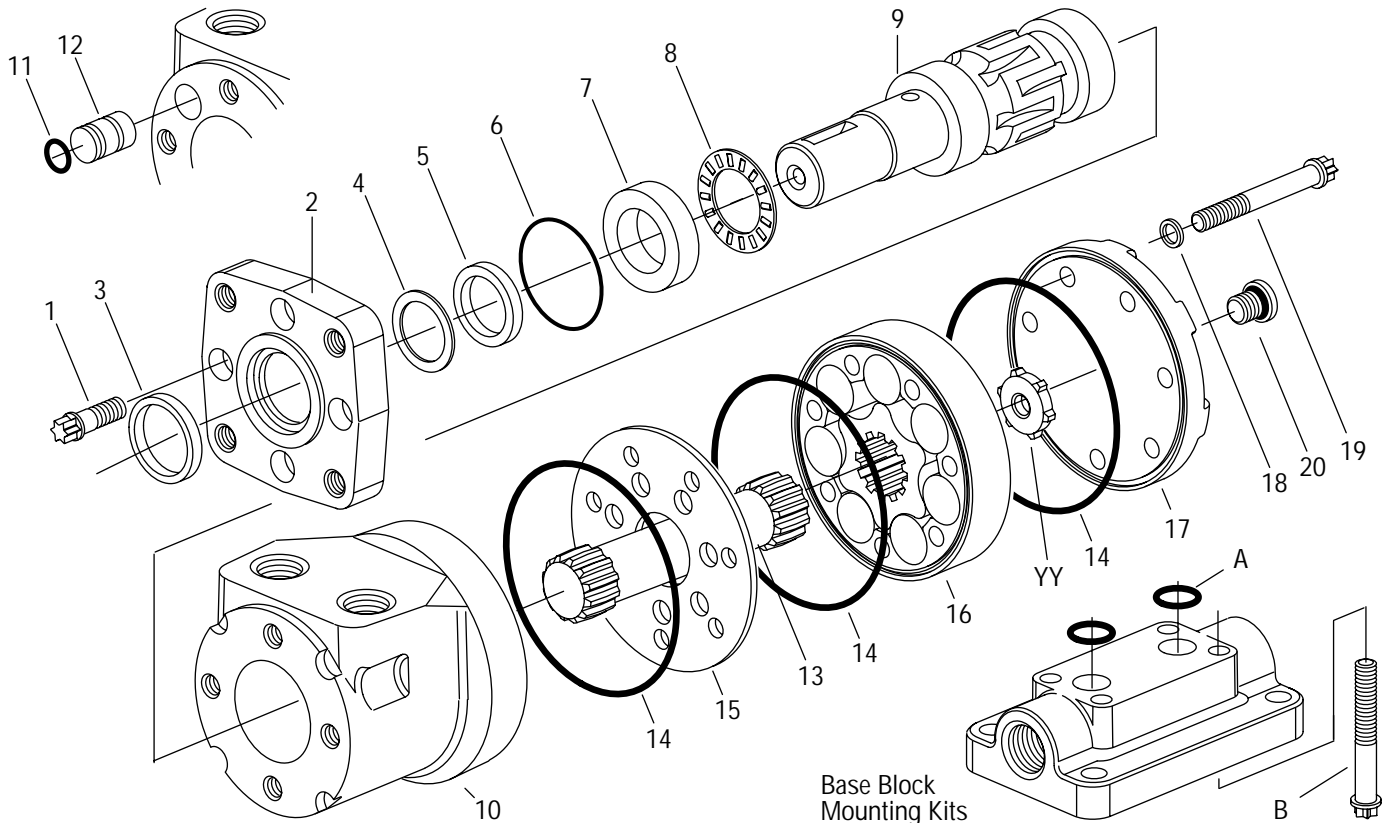
S Series Motors

-008/-009 Design Code

Displ. cm ³ /r [in ³ /r]	Ref. No. 13		Ref. No. 16		Ref. No. YY		Ref. No. 18	Ref. No. 19 (6 pt. Drive)	
	Drive	Length mm [in.]	Geroler®	Width mm [in.]	Spacer	Width mm [in.]	Washer Seal	Screw, Cap	(L) mm [in.]
69 [4.2]	602-000	76,2 [3.00]	8632-002	9,7 [.38]	N/A		14488-000**	16294-150	38,1 [1.50]
95 [5.8]	616-000	81,8 [3.22]	8632-003	13,2 [.52]	N/A		14488-000**	16294-162	41,1 [1.62]
160 [9.7]	8664-000	91,7 [3.61]	8632-004	21,8 [.86]	N/A		N/A	16294-200	50,8 [2.00]
184 [11.7]	8664-000	91,7 [3.61]	8632-005	25,4 [1.00]	6901-009	3,6 [.14]	N/A	16294-212	53,8 [2.12]
229 [14.0]	8664-000	91,7 [3.61]	8632-006	31,7 [1.25]	6901-002	7,9 [.31]	N/A	16294-238	60,5 [2.38]
277 [16.9]	8634-000	107,4 [4.23]	8632-007	38,1 [1.50]	N/A		N/A	16294-262	66,5 [2.62]
369 [22.5]	8634-000	107,4 [4.23]	8632-008	50,8 [2.00]	6901-004	14,0 [.55]	N/A	16294-312	79,2 [3.12]

-010 Design Code

Displ. cm ³ /r [in ³ /r]	Ref. No. 13		Ref. No. 16		Ref. No. YY	Ref. No. 18	Ref. No. 19 (6 pt. Drive)	
	Drive	Length mm [in.]	Geroler®	Width mm [in.]	Spacer	Washer Seal	Screw, Cap	(L) mm [in.]
59 [3.6]	22250-000	80,0 [3.15]	8632-023	10,2 [.40]	N/A	14488-000**	16294-150	38,1 [1.50]
74 [4.5]	22250-000	80,0 [3.15]	8632-024	10,2 [.40]	N/A	14488-000**	16294-150	38,1 [1.50]
97 [5.9]	616-000	81,8 [3.22]	8632-003	13,2 [.52]	N/A	14488-000**	16294-162	41,1 [1.62]
120 [7.3]	22251-000	86,2 [3.40]	8632-009	16,5 [.65]	N/A	N/A	16294-175	44,4 [1.75]
146 [8.9]	22252-000	89,9 [3.54]	8632-020	20,1 [.79]	N/A	N/A	16294-188	47,8 [1.88]
159 [9.7]	8664-000	91,7 [3.61]	8632-004	21,8 [.86]	N/A	N/A	16294-200	50,8 [2.00]
185 [11.3]	22189-000	95,8 [3.77]	8632-005	25,4 [1.00]	N/A	N/A	16294-212	53,8 [2.12]
231 [14.1]	22190-000	102,1 [4.02]	8632-025	31,7 [1.25]	N/A	N/A	16294-238	60,5 [2.38]
293 [17.9]	22253-000	110,5 [4.35]	8632-026	40,4 [1.59]	N/A	N/A	16294-275	69,8 [2.75]
370 [22.6]	22191-000	121,2 [4.77]	8632-027	50,8 [2.00]	N/A	N/A	16294-312	79,2 [3.12]



Ref. No.	Design Code/Part Number			Description	Quantity
	-008	-009	-010		
1	16292-088	16292-088	16292-088	Screw, Cap (6 Point (E10) Drive 5/16-24 x 7/8)	4
2	7463-000	22000-001	22000-001	Flange Mounting (2 Bolt)	1
	7464-000	22000-002	22000-002	Flange Mounting (4 Bolt) 3/8-16 UNC	1
	21501-000	22000-006	22000-006	Flange Mounting (4 Bolt) M10 x 1,5	1
	8281-000	22000-004	22000-004	Flange Mounting (2 Bolt SAE B)	1
	8717-000	22000-005	22000-005	Flange Mounting (4 Bolt Magneto)	1
X 3	9121-002	9121-002	9121-002	Seal, Exclusion	1
X 4	N/A	22002-000	22002-000	Washer, Backup	1
X 5	9057-001	9057-014	9057-014	Seal, Pressure	1
X 6	9091-001	9091-001	9091-001	Seal	1
7	7462-000	7462-000	7462-000	Race, Thrust Bearing	1
8	7537-000	7537-000	7537-000	Bearing, Thrust Needle	1
9	7360-001	7360-001	7360-001	Shaft, Output (1 in. Dia. Straight with Woodruff Key Slot)	1
	7360-002	7360-002	7360-002	Shaft, Output (SAE 6B Splined)	1
	7360-007	7360-007	7360-007	Shaft, Output (1 in. Dia. Straight with .315 Dia. Crosshole)	1
	7360-008	7360-008	7360-008	Shaft, Output (1 in. Dia. Straight with .406 Dia. Crosshole)	1
	7360-024	7360-024	7360-024	Shaft, Output (25 mm Dia. Straight)	1
	7360-016	7360-016	7360-016	Shaft, Output (7/8 in. Dia. SAE B 13 T Splined)	1
	7360-017	7360-017	7360-017	Shaft, Output (7/8 in. Dia. Straight SAE B Straight)	1
	7360-018	7360-018	7360-018	Shaft, Output (1 in. Dia. Tapered)	1
	14193-000	14193-000	14193-000	Key, Woodruff (1 in. Dia. Straight Shaft)	1
	14193-000	14193-000	14193-000	Key, Woodruff (for Tapered Shaft)	1
	14391-004	14391-004	14391-004	Key, Straight (for 7/8 in. Dia. Shaft)	1
	14462-006	14462-006	14462-006	Key, Straight (for 25 mm Dia. Shaft)	1
	14381-000	14381-000	14381-000	Nut (for Tapered Shaft)	1
	10	8631-001	8631-001	8631-001	Housing, 7/8-14 O-ring Ports
8631-002		8631-002	8631-002	Housing, 1/2 NPTF Ports	1
8631-003		8631-003	8631-003	Housing, Manifold Ports (5/16-18 UNC)	1
8631-007		8631-007	8631-007	Housing, Manifold Ports (M8 x 1.5)	1
8631-006		8631-006	8631-006	Housing, (G 1/2 (BSP))	1
X 11	15007-000†	N/A	N/A	O-ring	1
12	8985-000†	N/A	N/A	Plug	1
13	*	*	*	Drive	1
X 14	9086-001	9086-001	9086-001	Seal	3
15	8636-000	8636-000	8636-000	Plate, Spacer	1
16	*	*	*	Geroler	1
17	21774-001	21774-001	21774-001	Cap, End (No Port)	1
	21774-002	21774-002	21774-002	Cap, End (with Drain Port 7/16-20 O-ring)	1
	21774-003	21774-003	21774-003	Cap, End (with Drain Port G 1/4 (BSP))	1
X 18	*	*	*	Seal, Washer	7
19	*	*	*	Screw, Cap (6 Point (E10) Drive 5/16-24)	7
20	9072-003	9072-003	9072-003	Plug/ O-ring (7/16-20 Drain Port)	1
X	250003-904	250003-904	250003-904	O-ring for 7/16-20 Drain Port Plug	1
	9170-002	9170-002	9170-002	Plug/Packing ring (G 1/4 (BSP) Drain Port)	1
YY	*	*	*	Spacer	1

Continued on Back Page

Ref. No.	Design Code/Part Number -008	-009	-010	Description
	60533-000	60539-000	60539-000	Seal Kit (Buna N) — Contains Parts Indicated by X
	60534-000	60546-000	60546-000	Seal Kit (Viton) — Contains Parts Indicated by X (Part No.s Differ from those Shown)
Mounting Kit	123-1007	123-1007	123-1007	Base Block Mounting Kit (1/2 NPTF Ports (Manifold Mount Motors Only))
	123-1008	123-1008	123-1008	Base Block Mounting Kit (7/8-14 O-ring Ports (Manifold Mount Motors Only))
X A	15058-000	15058-000	15058-000	Seal, O-ring (2)
B	267512-019	267512-019	267512-019	Screw, Cap (5/16-18 Thread (4))
	14474-003	14474-003	14474-003	Screw, Cap (M8 x 1.5) Thread (4))

* See Chart on Page 2

** Used with 12 Point Cap Screws Only (Replacement Screws are 6 Point (E10) Drive, no Seal Washer Required).

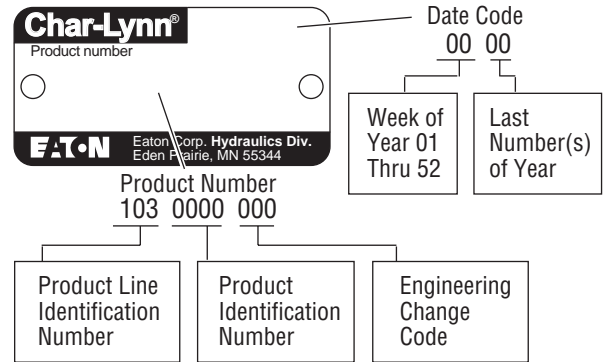
N/A— Not Applicable

†— Does not apply to some -008 motors

How to Order Replacement Parts

Each Order Must Include the Following:

1. Product Number
2. Date Code
3. Part Name
4. Part Number
5. Quantity of Parts



Product Numbers—S Series

Mounting	Shaft	Ports	Displ. cm ³ /r [in ³ /r] Product Number 103-xxxx									
			59 [3.6]	74 [4.5]	97 [5.9]	120 [7.3]	146 [8.9]	159 [9.7]	185 [11.3]	231 [14.1]	293 [17.9]	370 [22.6]
2 Bolt Flange	1 in. Straight w/Woodruff Key	7/8-14 O-ring	103-1537	-1034	-1035	-1538	-1539	-1036	-1037	-1038	-1039	-1040
		1/2 NPTF	103-1540	-1026	-1027	-1541	-1542	-1028	-1029	-1030	-1031	-1032
		Manifold*	103-1543	-1042	-1043	-1544	-1545	-1044	-1045	-1046	-1047	-1048
2 Bolt Flange	1 in. SAE 6B Splined	7/8-14 O-ring	103-1552	-1082	-1083	-1553	-1554	-1084	-1085	-1086	-1087	-1088
		1/2 NPTF	103-1555	-1074	-1075	-1556	-1557	-1076	-1077	-1078	-1079	-1080
		Manifold*	103-1558	-1090	-1091	-1559	-1560	-1092	-1093	-1094	-1095	-1096
4 Bolt Flange	1 in. Straight w/Woodruff Key	7/8-14 O-ring	103-1570	-1010	-1011	-1571	-1572	-1012	-1013	-1014	-1015	-1016
		1/2 NPTF	103-1573	-1002	-1003	-1574	-1575	-1004	-1005	-1006	-1007	-1008
		Manifold*	103-1576	-1018	-1019	-1577	-1578	-1020	-1021	-1022	-1023	-1024
	1 in. SAE 6B Splined	7/8-14 O-ring	103-1579	-1058	-1059	-1580	-1581	-1060	-1061	-1062	-1063	-1064
		1/2 NPTF	103-1582	-1050	-1051	-1583	-1584	-1052	-1053	-1054	-1055	-1056
		Manifold*	103-1585	-1066	-1067	-1586	-1587	-1068	-1069	-1070	-1071	-1072

*5/16-18 Threaded Mounting Hole

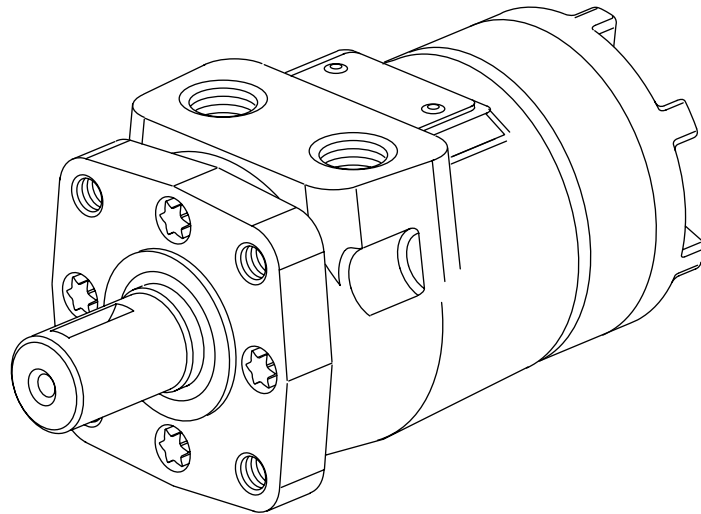
Eaton
Fluid Power Group
Hydraulics Business USA
14615 Lone Oak Road
Eden Prairie, MN 55344
USA
Tel: 952-937-9800
Fax: 952-294-7722
www.eaton.com/hydraulics

Eaton
Fluid Power Group
Hydraulics Business Europe
Route de la Longeraie 7
1110 Morges
Switzerland
Tel: +41 (0) 21 811 4600
Fax: +41 (0) 21 811 4601

Eaton
Fluid Power Group
Hydraulics Business Asia Pacific
11th Floor Hong Kong New World Tower
300 Huaihai Zhong Road
Shanghai 200021
China
Tel: 86-21-6387-9988
Fax: 86-21-6335-3912



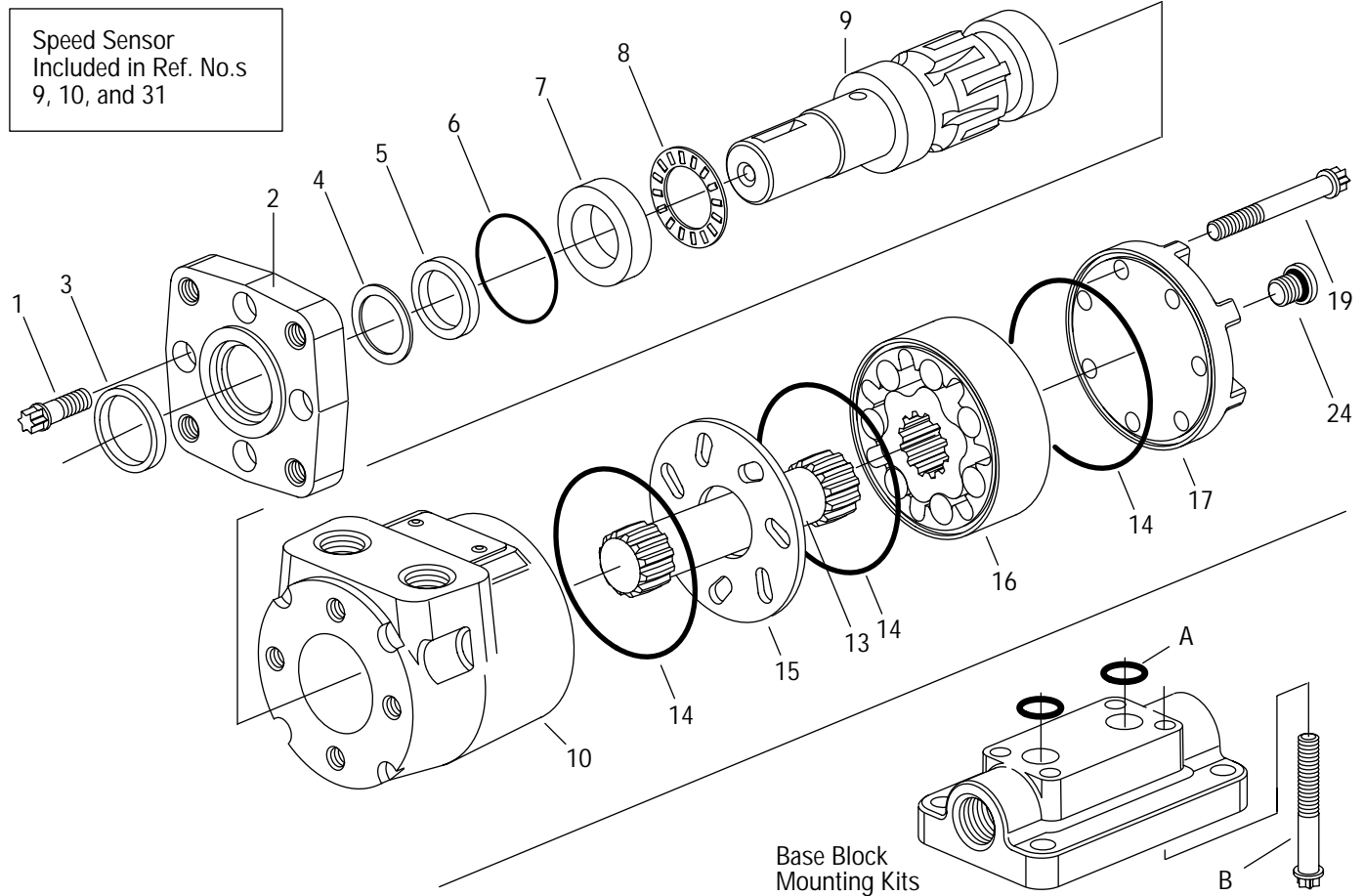
Parts Information



T Series
General Purpose Geroler® Motor

001

Displ. cm ³ /r [in ³ /r]	Ref. No. 13		Ref. No. 16		Ref. No. 19	
	Drive	Length mm [in.]	Geroler®	Width mm [in.]	Screw, Cap	Length mm [in.]
36 [2.2]	602-000	76,2 [3.00]	22801-001	6,6 [.26]	16294-150	38,1 [1.50]
49 [3.0]	201111-001	78,7 [3.10]	22801-002	8,9 [.36]	16294-162	41,1 [1.62]
66 [4.0]	616-000	81,8 [3.22]	22801-003	11,9 [.47]	16294-175	44,5 [1.75]
80 [4.9]	201111-002	84,6 [3.33]	22801-004	14,7 [.58]	16294-188	47,8 [1.88]
102 [6.2]	201111-003	88,6 [3.49]	22801-005	18,5 [.73]	16294-200	50,8 [2.00]
131 [8.0]	201111-004	94,0 [3.70]	22801-006	23,9 [.94]	16294-225	57,2 [2.25]
157 [9.6]	201111-005	90,8 [3.90]	22801-007	29,0 [1.14]	16294-238	60,5 [2.38]
195 [11.9]	201111-006	105,7 [4.16]	22801-008	35,6 [1.40]	16294-262	66,5 [2.62]
244 [14.9]	201111-007	114,8 [4.52]	22801-009	44,5 [1.76]	16294-300	76,2 [3.00]
306 [18.7]	201111-008	126,2 [4.97]	22801-010	56,1 [2.21]	16294-350	88,9 [3.50]
370 [22.6]	201111-009	137,9 [5.43]	22801-012	67,8 [2.66]	16294-400	101,6 [4.00]



Ref. No.	Part Number	Description	Quantity
1	16292-088	Screw, Cap (6 Point (E10) Drive 5/16-24 x 7/8)	4
2	22000-001	Flange Mounting (2 Bolt)	1
	22000-002	Flange Mounting (4 Bolt) 3/8-16 UNC	1
	22000-006	Flange Mounting (4 Bolt) M10 x 1,5	1
	22000-004	Flange Mounting (2 Bolt SAE B)	1
	22000-005	Flange Mounting (4 Bolt Magneto)	1

Continued on Page 3

Continued from Page 2

Ref. No.	Part Number	Description	Quantity
X 3	9121-002	Seal, Exclusion	1
X 4	22002-000	Washer, Backup	1
X 5	9057-014	Seal, Pressure	1
X 6	9091-001	Seal	1
7	7462-000	Race, Thrust Bearing	1
8	7537-000	Bearing, Thrust Needle	1
9	7360-001	Shaft, Output (1 in. Dia. Straight with Woodruff Key Slot)	1
	220879-001	Shaft, Output (1 in. Dia. Straight with Woodruff Key Slot) — <i>Speed Sensor Shaft</i>	1
	7360-002	Shaft, Output (SAE 6B Splined)	1
	7360-007	Shaft, Output (1 in. Dia. Straight with .315 Dia. Crosshole)	1
	7360-008	Shaft, Output (1 in. Dia. Straight with .406 Dia. Crosshole)	1
	7360-024	Shaft, Output (25 mm Dia. Straight)	1
	7360-016	Shaft, Output (7/8 in. Dia. SAE B 13 T Splined)	1
	220880-016	Shaft, Output (7/8 in. Dia. SAE B 13 T Splined) — <i>Speed Sensor Shaft</i>	1
	7360-017	Shaft, Output (7/8 in. Dia. Straight SAE B Straight)	1
	7360-018	Shaft, Output (1 in. Dia. Tapered)	1
	14193-000	Key, Woodruff (1 in. Dia. Straight Shaft)	1
	14193-000	Key, Woodruff (for Tapered Shaft)	1
	14391-004	Key, Straight (for 7/8 in. Dia. Shaft)	1
	14462-006	Key, Straight (for 25 mm Dia. Shaft)	1
	14381-000	Nut (for Tapered Shaft)	1
10	201285-001	Housing, 7/8-14 O-ring Ports	1
	201138-001	Housing, 7/8-14 O-ring Ports — <i>Speed Sensor Housing</i>	1
	201285-002	Housing, 1/2 NPTF Ports	1
	201138-002	Housing, 1/2 NPTF Ports — <i>Speed Sensor Housing</i>	1
	201285-003	Housing, Manifold Ports (5/16-18 UNC)	1
	201138-003	Housing, Manifold Ports (5/16-18 UNC) — <i>Speed Sensor Housing</i>	1
	201285-004	Housing, Manifold Ports (M8 x 1.5)	1
	201285-006	Housing, (G 1/2 (BSP))	1
X 11	N/A	O-ring	1
12	N/A	Plug	1
13	*	Drive	1
X 14	9086-005	Seal	3
15	22808-000	Plate, Spacer	1
16	*	Geroler	1
17	23986-001	Cap, End (No Port)	1
	23986-002	Cap, End (with Drain Port 7/16-20 O-ring)	1
	23986-003	Cap, End (with Drain Port G 1/4 (BSP))	1
X 18	—	Seal, Washer	7
19	*	Screw, Cap (6 Point (E10) Drive 5/16-24)	7
24	9072-003	Plug/ O-ring (7/16-20 Drain Port)	1
X	250003-904	O-ring for 7/16-20 Drain Port Plug	1
	9170-002	Plug/O-ring (G 1/4 (BSP) Drain Port)	1
	—	O-ring for G 1/4 (BSP) Drain Port Plug	1
31	201137-001	Sensor, Speed — 127mm [5.0 in.] Lead Wire	1

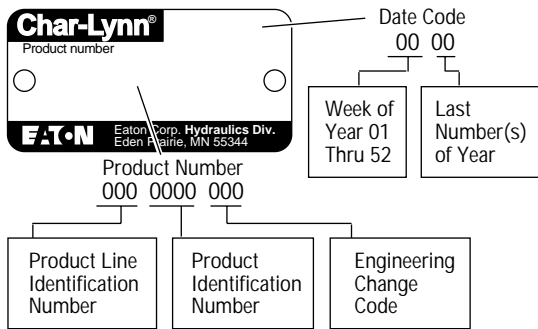
Continued on back page

Ref. No.	Part Number	Description
	60564-000	Seal Kit (Buna N) — Contains Parts Indicated by X
	60566-000	Seal Kit (same as above with one exception - Shaft Seal is Viton®)
	60565-000	Seal Kit (Viton) — Contains Parts Indicated by X (Part No.s Differ from those Shown)
Mounting Kit	123-1007	Base Block Mounting Kit (1/2 NPTF Ports (Manifold Mount Motors Only))
	123-1008	Base Block Mounting Kit (7/8-14 O-ring Ports (Manifold Mount Motors Only))
X A	15058-000	Seal, O-ring (2)
B	267512-019	Screw, Cap (5/16-18 Thread (4))
	14474-003	Screw, Cap (M8 x 1.5) Thread (4))

T Series

Viton® is a Registered Trade Name of Dupont Corporation.

* See Chart Above Part Dwg. Page 2. N/A — Not Applicable



How to Order Replacement Parts

Each Order Must Include the Following:

1. Product Number
2. Date Code
3. Part Name
4. Part Number
5. Quantity of Parts

For More Detailed Information Contact Eaton Corp. Hydraulics Division 15151 Highway 5 Eden Prairie, MN 55344.

- Specifications and performance data, Catalog No. 11-885
- When servicing T Series Motors refer to Repair Information No. 7-145. This repair manual lists tools required, and step by step disassembly and reassembly procedures.

Product Numbers—T Series -001

Add three digit prefix —158—to four digit number from chart for complete product number—Example 158-1068.

Mounting	Shaft	Ports	Displ. cm ³ /r [in ³ /r] Product Number 158-xxxx											
			36 [2.2]	49 [3.0]	66 [4.0]	80 [4.9]	102 [6.2]	131 [8.0]	157 [9.6]	195 [11.9]	244 [14.9]	306 [18.7]	370 [22.6]	
2 Bolt Flange	1 in. Straight w/Woodruff Key	7/8-14 O-ring	158-	—	—	-1537	-1034	-1035	-1538	-1036	-1037	-1038	-1039	-1040
		1/2 NPTF	158-	—	—	-1540	-1026	-1027	-1541	-1028	-1029	-1030	-1031	-1032
		Manifold	158-	—	—	-1543	-1042	-1043	-1544	-1044	-1045	-1046	-1047	-1048
4 Bolt Flange	1 in. SAE 6B Splined	7/8-14 O-ring	158-	—	—	-1552	-1082	-1083	-1553	-1084	-1085	-1086	-1087	-1088
		1/2 NPTF	158-	—	—	-1555	-1074	-1075	-1556	-1076	-1077	-1078	-1079	-1080
		Manifold	158-	—	—	-1558	-1090	-1091	-1559	-1092	-1093	-1094	-1095	-1096
4 Bolt Flange	1 in. Straight w/Woodruff Key	7/8-14 O-ring	158-	—	—	-1570	-1010	-1011	-1571	-1012	-1013	-1014	-1015	-1016
		1/2 NPTF	158-	—	—	-1573	-1002	-1003	-1574	-1004	-1005	-1006	-1007	-1008
		Manifold	158-	—	—	-1576	-1018	-1019	-1577	-1020	-1021	-1022	-1023	-1024
4 Bolt Flange	1 in. SAE 6B Splined	7/8-14 O-ring	158-	—	—	-1579	-1058	-1059	-1580	-1060	-1061	-1062	-1063	-1064
		1/2 NPTF	158-	—	—	-1582	-1050	-1051	-1583	-1052	-1053	-1054	-1055	-1056
		Manifold	158-	—	—	-1585	-1066	-1067	-1586	-1068	-1069	-1070	-1071	-1072

158-1068



Quality System Certified
Products in this catalog are manufactured in an ISO-9001-certified site.

Eaton Corporation
Hydraulics Division
15151 Hwy. 5
Eden Prairie, MN 55344
Telephone 612/937-9800
Fax 612/937-7130

Eaton Ltd.
Hydraulics Division
Glenrothes, Fife
Scotland, KY7 4NW
Telephone 01-592-771-771
Fax 01-592-773-184

Eaton GmbH
Hydraulics Products
Am Schimmersfeld 7
40880 Ratingen, Germany
Telephone 02102-406-830
Fax 02102-406-800

<http://www.eaton.com>

Copyright Eaton Corporation, 1994 and 1995
All Rights Reserved
Printed in USA

Form No. 6-146

