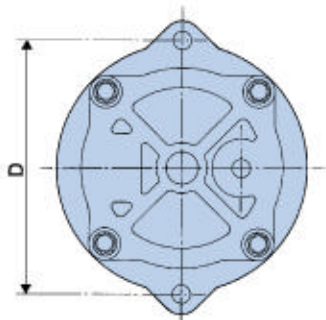
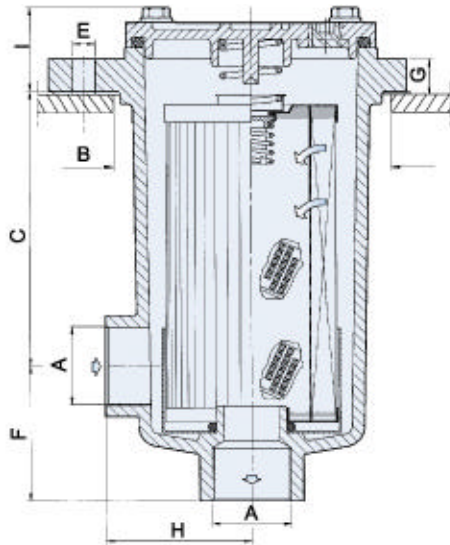


FIR - In tank Return filters with in tank connections



SIZE 30-60-100

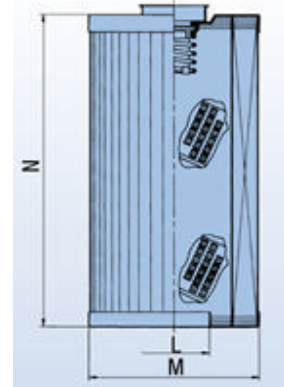
B: 110; C: 110; D: 126; E: 9; F: 54;

Dimensions : G: 14; H: 59; I: 36; Kg.: 1,5;
(mm)

TECHNICAL DATA

Operating pressure at 1000 kPa (10 bar).
Static pressure testing at 1500 kPa (15 bar).
By-pass valve integrated in the element setting 150 kPa (1,5 bar) per ISO 3968.
Operating temperature -20 +100°C.
Compatibility with hydraulic fluids per ISO 2943.
Flow rate and pressure drop per ISO3968 with oil kinematic viscosity 30 cSt at 40°C and density 0,875 kg/dm³.
Ports threaded per ISO 228/1.

ELEMENT P171527 - CR 60/1



Dimensions
mm

L	M	N
29	70	128

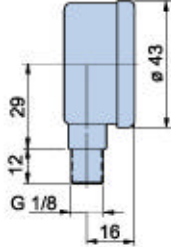
Flow: 65 l/min
Filtering: 30 micron nom.
Port: G 3/4
Media: CELLULOSE

FILTER ELEMENTS

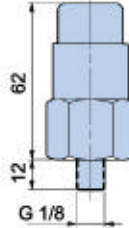
Wire mesh 60-90 micron absolute.
Synteq® synthetic media with 10-25 micron absolute filtration rating $\beta_x \geq 75$.
Cellulose media reinforced with wire mesh 10-30 micron nominal.
Collapse resistance 1000 kPa (10 bar) per ISO 2941.
End load rating per ISO 3723.
Flow fatigue characteristics per ISO3724.
Element integrity per ISO 2942.
Filtration efficiency by multipass-test per ISO 4572.
Replacement element includes spring and O-ring seal.

FIR - In tank Return filters with in tank connections

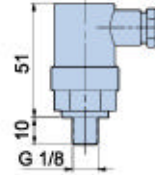
Pressure indicators and accessories



PRESSURE GAUGE
P17 1953 (500.01)
 Scale: - 100÷500 kPa (- 1÷5 bar)

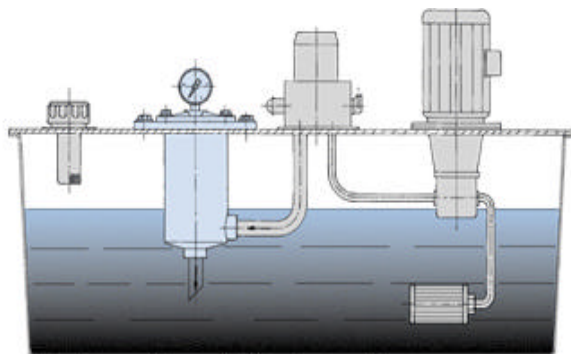
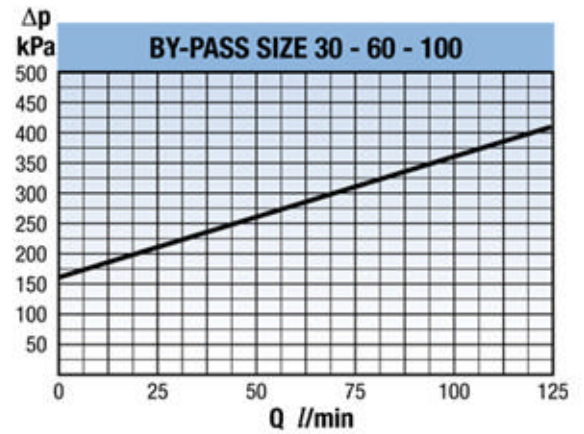
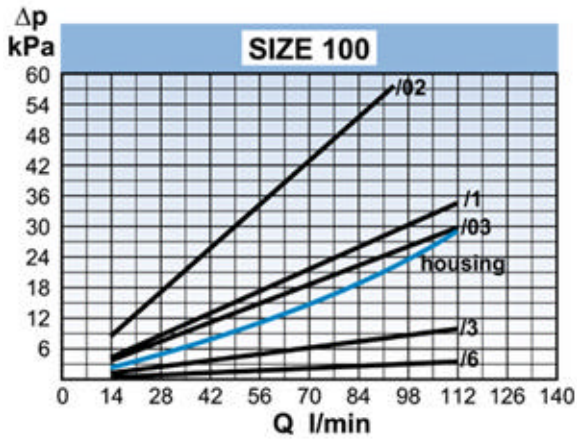


VISUAL PRESSURE GAUGE
P17 1958 (503.01)
 Setting: 120 kPa (1.2 bar)



ELECTRICAL PRESSURE SWITCH
P17 1966 (504.01) N.O. contacts
P173104 (504.05) N.C. contacts
 Max. values: 220 ACV - 30 DCV - 0,5 A res. - 0,2 A
 Setting: 120 kPa (1.2 bar)
 Protection class: IP 65
 Cable clamp: PG 7

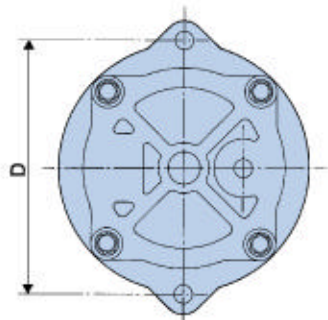
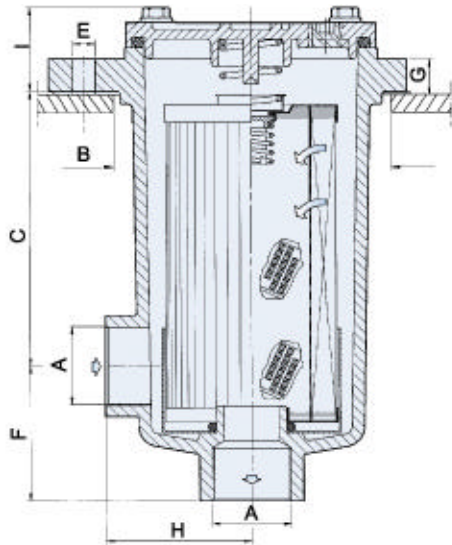
Performance Curves - Test ISO 3968



Return line filter location

Mounting layout

FIR - In tank Return filters with in tank connections



SIZE 30-60-100

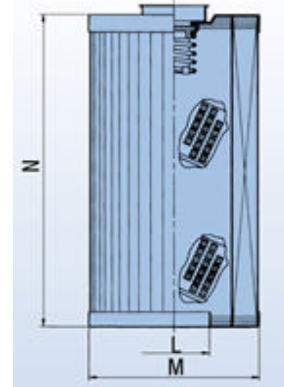
B: 110; C: 110; D: 126; E: 9; F: 54;

Dimensions : G: 14; H: 59; I: 36; Kg.: 1,5;
(mm)

TECHNICAL DATA

Operating pressure at 1000 kPa (10 bar).
Static pressure testing at 1500 kPa (15 bar).
By-pass valve integrated in the element setting 150 kPa (1,5 bar) per ISO 3968.
Operating temperature -20 +100°C.
Compatibility with hydraulic fluids per ISO 2943.
Flow rate and pressure drop per ISO3968 with oil kinematic viscosity 30 cSt at 40°C and density 0,875 kg/dm³.
Ports threaded per ISO 228/1.

ELEMENT P171533 - CR 100/1



Dimensions
mm

L	M	N
29	70	128

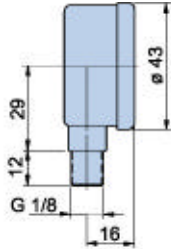
Flow: 65 l/min
Filtering: 10 micron nom.
Port: G 1
Media: CELLULOSE

FILTER ELEMENTS

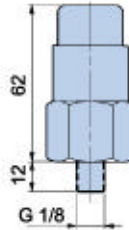
Wire mesh 60-90 micron absolute.
Synteq® synthetic media with 10-25 micron absolute filtration rating $\beta_x \geq 75$.
Cellulose media reinforced with wire mesh 10-30 micron nominal.
Collapse resistance 1000 kPa (10 bar) per ISO 2941.
End load rating per ISO 3723.
Flow fatigue characteristics per ISO3724.
Element integrity per ISO 2942.
Filtration efficiency by multipass-test per ISO 4572.
Replacement element includes spring and O-ring seal.

FIR - In tank Return filters with in tank connections

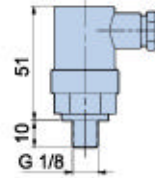
Pressure indicators and accessories



PRESSURE GAUGE
P17 1953 (500.01)
 Scale: - 100÷500 kPa (- 1÷5 bar)

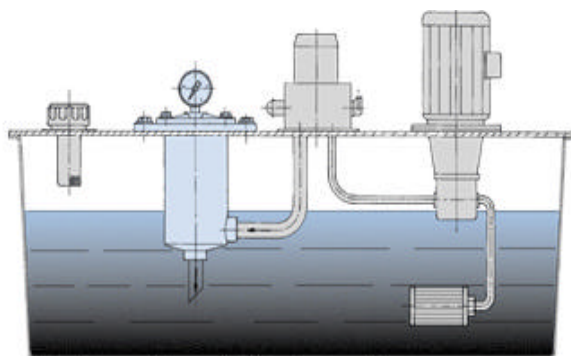
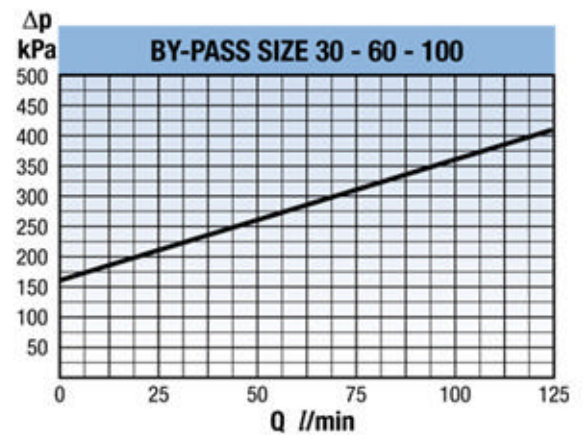
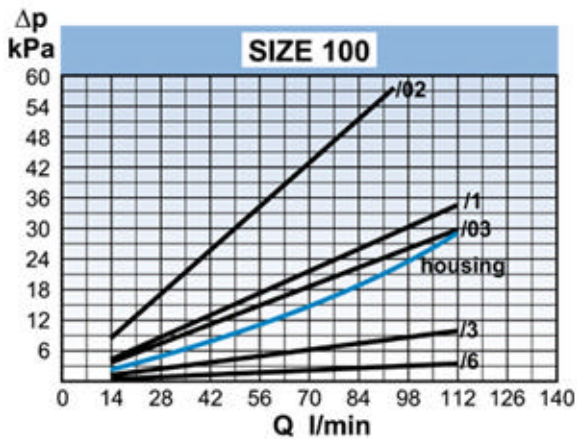


VISUAL PRESSURE GAUGE
P17 1958 (503.01)
 Setting: 120 kPa (1.2 bar)



ELECTRICAL PRESSURE SWITCH
P17 1966 (504.01) N.O. contacts
P173104 (504.05) N.C. contacts
 Max. values: 220 ACV - 30 DCV - 0,5 A res. - 0,2 A
 Setting: 120 kPa (1.2 bar)
 Protection class: IP 65
 Cable clamp: PG 7

Performance Curves - Test ISO 3968



Return line filter location

Mounting layout