

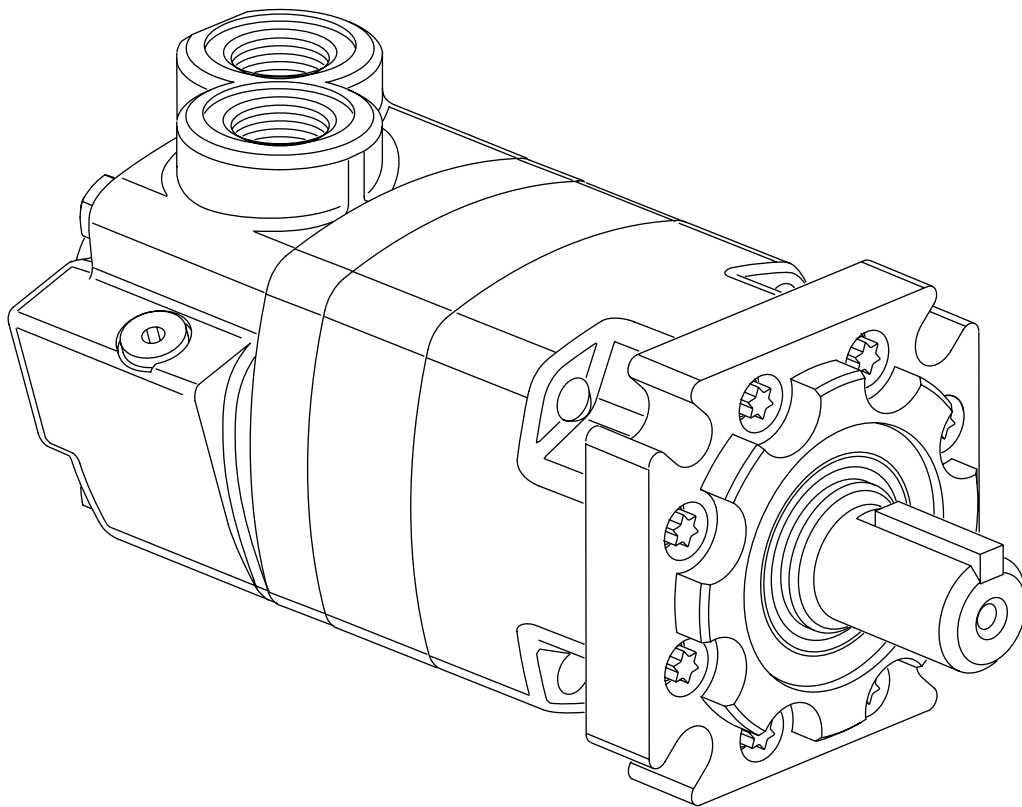
# Char-Lynn<sup>®</sup>

Disc Valve Motor

06-01-126  
EN-0400



## Parts Information



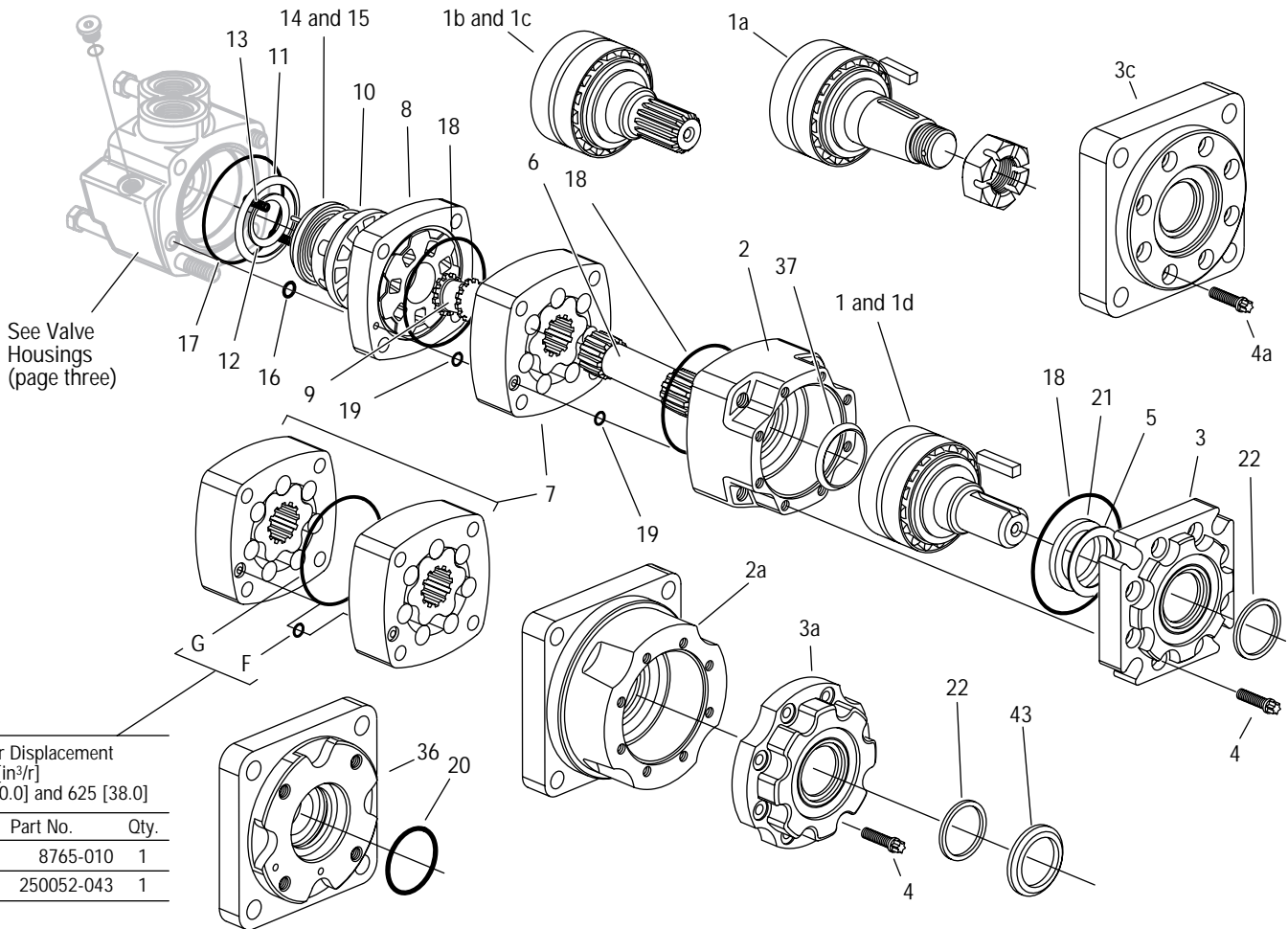
4000 Series  
Geroler<sup>®</sup> Motors

Std., Whl. and Brgl. **-004** Std. and Whl. **-006**

# 4000 Series Char-Lynn Motors

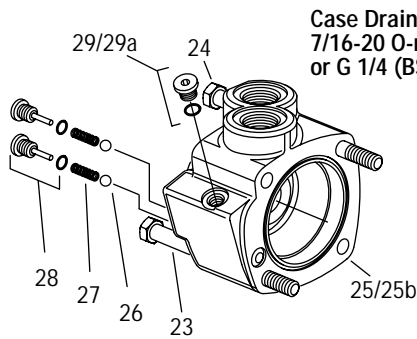


Displacement cm <sup>3</sup> /r [in <sup>3</sup> /r]	Drive, Main Item No. 6—Part No./Length		Geroler® Item No. 7—Part No./Width	
	<b>006/004</b>	mm [inch]	<b>006/004</b>	mm [inch]
110 [ 6.7]	21372-001	88,6 [3.49]	8464-001	21,7 [ .85]
130 [ 7.9]	21372-002	93,0 [3.66]	8464-002	25,7 [1.01]
160 [ 9.9]	21372-003	98,5 [3.88]	8464-003	32,1 [1.26]
205 [12.5]	21372-004	107,2 [4.22]	8464-004	40,6 [1.60]
245 [15.0]	21372-003	98,5 [3.88]	8464-005	32,1 [1.26]
310 [19.0]	21372-004	107,2 [4.22]	8464-006	40,6 [1.60]
395 [24.0]	21372-005	118,1 [4.65]	8464-007	51,3 [2.02]
495 [30.0]	21372-007	129,9 [5.11]	8464-010	64,1 [2.52]
625 [38.0]	21372-008	147,9 [5.82]	8464-011	81,2 [3.20]



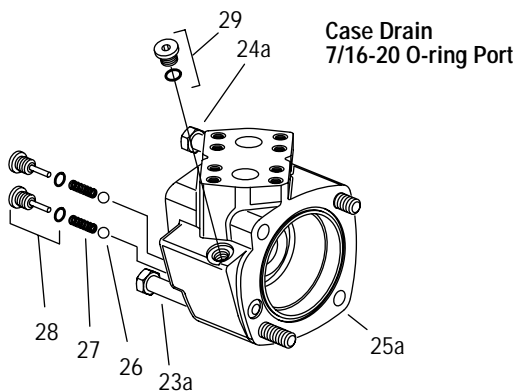
Item No.	006 Part Number	004 Part Number	Description	Quantity per Unit		
				Std.	Whl.	Brgl.
1	23310-001	8709-001	Shaft and Bearing Kit (1-1/4 inch Straight)	1	1	
	14392-011	14392-011	Key (for 1-1/4 Straight Shaft)	1	1	
1a	23310-002	8709-002	Shaft and Bearing Kit (1-5/8 in. Tapered)	1	1	
	14230-000	14230-000	Nut, Hex (1-5/8 in. Tapered Shaft)	1	1	
	14394-007	14394-007	Key (for 1-5/8 in. Tapered Shaft)	1	1	
1b	23310-003	8709-003	Shaft and Bearing Kit (1-1/4 in. Splined 14T)	1	1	
1c	23310-009	8709-009	Shaft and Bearing Kit (1-1/2 in. Splined 17T)	1	1	
1d	23310-010	8709-010	Shaft and Bearing Kit (40 mm Straight)	1	1	
	14458-007	14458-007	Key (for 40mm Straight Shaft)	1	1	

1-1/16-12 O-ring Ports or G 3/4 (BSP) Ports



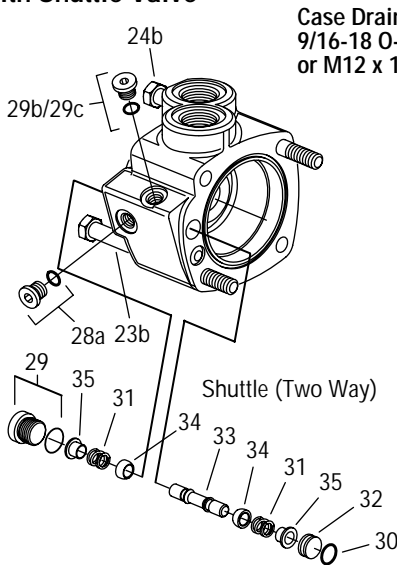
Displacement cm <sup>3</sup> /r [in <sup>3</sup> /r]	Screw, Cap Qty. 3 Item No. 23—Part No./Length		Screw, Cap Qty. 1 Item No. 24—Part No./Length	
	006/004	mm [in.]	006/004	mm [in.]
110 [ 6.7]	14386-003	119,4 [4.70]	14386-005	132,1 [5.20]
130 [ 7.9]	14386-004	125,7 [4.95]	14386-006	138,4 [5.45]
160 [ 9.9]	14386-005	132,1 [5.20]	14386-007	144,8 [5.70]
205 [12.5]	14386-007	144,8 [5.70]	14386-009	156,5 [6.16]
245 [15.0]	14386-005	132,1 [5.20]	14386-007	144,8 [5.70]
310 [19.0]	14386-007	144,8 [5.70]	14386-009	156,5 [6.16]
395 [24.0]	14386-008	151,1 [5.95]	14386-010	162,8 [6.41]
495 [30.0]	14386-010	162,8 [6.41]	14386-011	175,5 [6.91]
625 [38.0]	14386-012	181,9 [7.16]	14386-013	193,7 [7.62]

4 Bolt 3/4 Inch Split Flange Ports



Displacement cm <sup>3</sup> /r [in <sup>3</sup> /r]	Screw, Cap Qty. 2 Item No. 23a—Part No./Length		Screw, Cap Qty. 2 Item No. 24a—Part No./Length	
	006/004	mm [in.]	006/004	mm [in.]
110 [ 6.7]	14386-004	125,7 [4.95]	14386-009	156,5 [6.16]
130 [ 7.9]	14386-004	125,7 [4.95]	14386-009	156,5 [6.16]
160 [ 9.9]	14386-005	132,1 [5.20]	14386-010	162,8 [6.41]
205 [12.5]	14386-007	144,8 [5.70]	14386-011	175,5 [6.91]
245 [15.0]	14386-005	132,1 [5.20]	14386-010	162,8 [6.41]
310 [19.0]	14386-007	144,8 [5.70]	14386-011	175,5 [6.91]
395 [24.0]	14386-008	151,1 [5.95]	14386-012	181,9 [7.16]
495 [30.0]	—	—	—	—
625 [38.0]	—	—	—	—

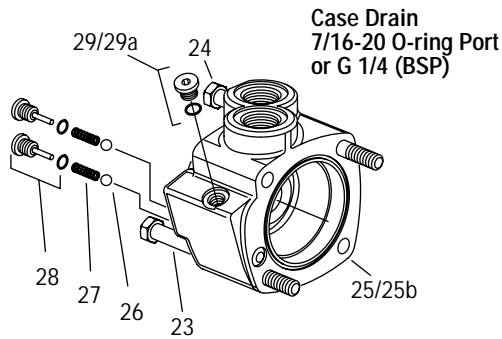
7/8-14 O-ring Ports or M22 x 1,5-6H Ports with Shuttle Valve



Displacement cm <sup>3</sup> /r [in <sup>3</sup> /r]	Screw, Cap Qty. 3 Item No. 23b—Part No./Length		Screw, Cap Qty. 1 Item No. 24b—Part No./Length	
	006/004	mm [in.]	006/004	mm [in.]
110 [ 6.7]	14386-003	119,4 [4.70]	14386-004	125,7 [4.95]
130 [ 7.9]	14386-004	125,7 [4.95]	14386-005	132,1 [5.20]
160 [ 9.9]	14386-005	132,1 [5.20]	14386-006	138,4 [5.45]
205 [12.5]	14386-007	144,8 [5.70]	14386-008	151,1 [5.95]
245 [15.0]	14386-005	132,1 [5.20]	14386-006	138,4 [5.45]
310 [19.0]	14386-006	138,4 [5.45]	14386-007	144,8 [5.70]
395 [24.0]	14386-008	151,1 [5.95]	14386-009	156,5 [6.16]
495 [30.0]	14386-010	162,8 [6.41]	14386-011	175,5 [6.91]
625 [38.0]	—	—	—	—

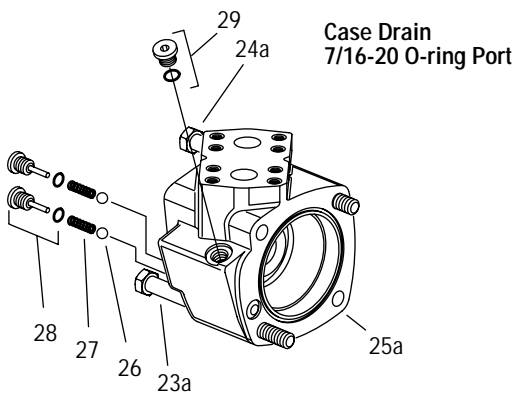
Item No.	006 Part Number	004 Part Number	Description	Quantity per Unit		
				Std.	Whl.	Brgl.
2	23170-002	8487-000	Housing, Bearing	1		
2a	23170-004	8488-000	Housing, Bearing, Wheel Mount		1	
3	23171-002	8559-000	Flange, Mounting, SAE B	1		
3a	23171-005	8558-000	Retainer, Front — for Wheel Mount Bearing Housing		1	
3c	23171-003	21404-000	Flange, Mounting, SAE C	1		

**1-1/16-12 O-ring Ports or G 3/4 (BSP) Ports**



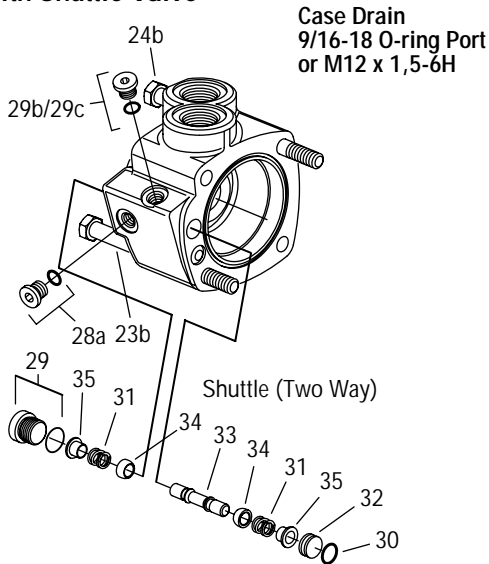
Displacement cm <sup>3</sup> /r [in <sup>3</sup> /r]	Screw, Cap Qty. 3 Item No. 23—Part No./Length		Screw, Cap Qty 1 Item No. 24—Part No./Length	
	<b>006/004</b>	mm [in.]	<b>006/004</b>	mm [in.]
110 [ 6.7]	14386-003	119,4 [4.70]	14386-005	132,1 [5.20]
130 [ 7.9]	14386-004	125,7 [4.95]	14386-006	138,4 [5.45]
160 [ 9.9]	14386-005	132,1 [5.20]	14386-007	144,8 [5.70]
205 [12.5]	14386-007	144,8 [5.70]	14386-009	156,5 [6.16]
245 [15.0]	14386-005	132,1 [5.20]	14386-007	144,8 [5.70]
310 [19.0]	14386-007	144,8 [5.70]	14386-009	156,5 [6.16]
395 [24.0]	14386-008	151,1 [5.95]	14386-010	162,8 [6.41]
495 [30.0]	14386-010	162,8 [6.41]	14386-011	175,5 [6.91]
625 [38.0]	14386-012	181,9 [7.16]	14386-013	193,7 [7.62]

**4 Bolt 3/4 Inch Split Flange Ports**



Displacement cm <sup>3</sup> /r [in <sup>3</sup> /r]	Screw, Cap Qty. 2 Item No. 23a—Part No./Length		Screw, Cap Qty. 2 Item No. 24a—Part No./Length	
	<b>006/004</b>	mm [in.]	<b>006/004</b>	mm [in.]
110 [ 6.7]	14386-004	125,7 [4.95]	14386-009	156,5 [6.16]
130 [ 7.9]	14386-004	125,7 [4.95]	14386-009	156,5 [6.16]
160 [ 9.9]	14386-005	132,1 [5.20]	14386-010	162,8 [6.41]
205 [12.5]	14386-007	144,8 [5.70]	14386-011	175,5 [6.91]
245 [15.0]	14386-005	132,1 [5.20]	14386-010	162,8 [6.41]
310 [19.0]	14386-007	144,8 [5.70]	14386-011	175,5 [6.91]
395 [24.0]	14386-008	151,1 [5.95]	14386-012	181,9 [7.16]
495 [30.0]	—	—	—	—
625 [38.0]	—	—	—	—

**7/8-14 O-ring Ports or M22 x 1,5-6H Ports with Shuttle Valve**



Displacement cm <sup>3</sup> /r [in <sup>3</sup> /r]	Screw, Cap Qty. 3 Item No. 23b—Part No./Length		Screw, Cap Qty. 1 Item No. 24b—Part No./Length	
	<b>006/004</b>	mm [in.]	<b>006/004</b>	mm [in.]
110 [ 6.7]	14386-003	119,4 [4.70]	14386-004	125,7 [4.95]
130 [ 7.9]	14386-004	125,7 [4.95]	14386-005	132,1 [5.20]
160 [ 9.9]	14386-005	132,1 [5.20]	14386-006	138,4 [5.45]
205 [12.5]	14386-007	144,8 [5.70]	14386-008	151,1 [5.95]
245 [15.0]	14386-005	132,1 [5.20]	14386-006	138,4 [5.45]
310 [19.0]	14386-006	138,4 [5.45]	14386-007	144,8 [5.70]
395 [24.0]	14386-008	151,1 [5.95]	14386-009	156,5 [6.16]
495 [30.0]	14386-010	162,8 [6.41]	14386-011	175,5 [6.91]
625 [38.0]	—	—	—	—

Item No.	006 Part Number	004 Part Number	Description	Quantity per Unit		
				Std.	Whl.	Brgl.
2	23170-002	8487-000	Housing, Bearing	1		
2a	23170-004	8488-000	Housing, Bearing, Wheel Mount		1	
3	23171-002	8559-000	Flange, Mounting, SAE B	1		
3a	23171-005	8558-000	Retainer, Front — for Wheel Mount Bearing Housing		1	
3c	23171-003	21404-000	Flange, Mounting, SAE C	1		

Continued from page 3 and 4

Item No.	006 Part Number	004 Part Number	Description	Quantity per Unit		
				Std.	Whl.	Brgl.
4	16292-100	16292-100**	Screw, Cap (6 Point (E10) Drive 5/16-24 UNF x 1.00)	8	8	
4a	16292-162	16292-162**	Screw, Cap (6 Point (E10) Drive 5/16-24 UNF x 1.62)	8		
† 5	6943-000	6943-000	Ring, Back-up	1	1	1
6	*	*	Drive, Main	1	1	1
7	*	*	Geroler®	1	1	1
8	8504-000	8504-000	Plate, Valve	1	1	1
9	8510-000	8510-000	Drive, Valve	1	1	1
10	8500-000	8500-000	Valve	1	1	1
OX 11	6962-000	6962-000	Seal, Face, Outer	1	1	1
OX 12	6961-000	6961-000	Seal, Face, Inner	1	1	1
13	6203-000	6203-000	Spring, Compression	2	2	2
14/15	21316-000	21316-000	Balance Ring and Pins	1	1	1
OX 16	15006-000	15006-000	Seal	1	1	1
OX 17	112530-042	112530-042	Seal	1	1	1
X† 18	112530-043	112530-043	Seal	3	3	2
OX 19	8765-010	8765-010	Seal	2	2	2
20	15128-000	15128-000	Seal			1
† 21	9057-012	9057-012	Seal, Shaft	1	1	
† 22	9031-001	9031-001	Seal, Dust	1	1	
23	*	*	Screw, Cap	A/R	A/R	A/R
24	*	*	Screw, Cap	A/R	A/R	A/R
25	23382-003	23382-003	Housing, Valve (1-1/16 Str. Thrd. O-ring Ports)	1	1	1
25a	23382-002	23382-002	Housing, Valve (3/4 in. Split Flange)	1	1	1
25b	23382-006	23382-006	Housing, Valve (G 3/4 (BSP) Ports)	1	1	1
25c	8564-000	8564-000	Housing, Valve for Shuttle Valve (7/8-14 Ports)	1	1	1
25d	22939-000	22939-000	Housing, Valve for Shuttle Valve (M22 x 1,5 Ports)	1	1	1
26	18026-000	18026-000	Ball, Steel	2	2	2
27	6464-000	6464-000	Spring, Compression	2	2	2
28	8350-000	8350-000	Check Plug/O-ring Assembly	2	2	2
OX	250003-903	250003-903	O-ring	2	2	2
28a	9072-002	9072-002	Plug/O-ring Assembly (3/8-24 )	2	2	2
	250003-903	250003-903	O-ring	2	2	2
29	9072-003	9072-003	Plug/O-ring Assembly (7/16-20 Case Drain Plug)	1	1	1
OX	250003-904	250003-904	O-ring	1	1	1
29a	9170-002	9170-002	Plug/O-ring Assembly (G 1/4 (BSP) Case Drain Plug)	1	1	1
OX	250003-904	250003-904	O-ring	1	1	1
29b	9072-005	9072-005	Plug/O-ring Assembly (9/16-18 Case Drain Plug)	1	1	1
	250003-906	250003-906	O-ring	1	1	1
29c	N/R	N/R	Plug/O-ring Assembly (M12 x 1,5-6H Case Drain Plug)	1	1	1
30	8568-001	8568-001	Plug	1	1	1
31	230079-000	230079-000	Spring	2	2	2
32	250002-012	250002-012	Seal	1	1	1
33	8566-000	8566-000	Piston	1	1	1
34	8567-000	8567-000	Poppet	2	2	2
35	8755-000	8755-000	Sleeve Dash Pot	2	2	2
36	8491-000	8491-000	Flange, Mounting			1
†37	6993-000	9079-001	Seal, Shaft Face	1	1	
43	14628-004	14628-004	Guard, Seal		1	
	61234-000	61234-000	Seal Kit, Rear (Std. and Whl. Motors)—Contains Parts Indicated by X			
	61281-000	61236-000	Seal Kit, Shaft (Std. and Whl. Motors)—Contains Parts Indicated by †			
		61235-000	Seal Kit, (Bearingless Motor Only)—Contains Parts Indicated by O			
		61249-000	Seal Kit, Viton*** (Bearingless Motor Only)—Contains Parts Indicated by O			
	61282-000	61248-000	Seal Kit, Viton*** (Std. and Whl. Motors)—Contains Parts Indicated by † and X			
	61290-000		Seal Kit, (Whl. Motors with Special Tapered Shaft for Seal Guard — Shaft End Only)			

4000 Series

Housing, Valve, Does NOT Include Parts, Items 26 thru 29

A/R— As required (see chart page 4).      N/R— Not required (motors with shuttle valve).      Viton® is a registered trade name of Dupont Corporation.  
 \*—See chart on opposite page.      \*\*—Original (-004) cap screw (12 point drive) replacement will be with this external 6 point (E10) drive cap screw.  
 \*\*\*—Viton seal part numbers differ from part numbers shown above. Note: Back-up Ring Item 5 is not used with Viton shaft seal item 21.

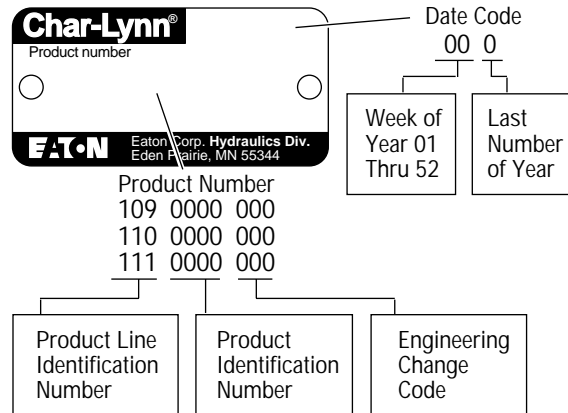
### How to Order Replacement Parts

#### Each Order Must Include the Following:

1. Product Number
2. Date Code
3. Part Name
4. Part Number
5. Quantity of Parts

For more detailed information contact Eaton Hydraulics  
14615 Lone Oak Road Eden Prairie, MN 55344.

- Specifications and performance data, Catalog No. 11-878.
- When servicing 4000 Series Motors refer to Repair Information No. 7-118. This repair manual lists tools required, and step by step disassembly and reassembly procedures.



### Product Numbers—4000 Series Motors

Use digit prefix —109-, 110-, or 111- plus four digit number from charts for complete product number—Example 111-1057.  
**Orders will not be accepted without three digit prefix.**

Mounting	Shaft	Ports	Displ. cm <sup>3</sup> /r [ in <sup>3</sup> /r] Product Number								
			110 [ 6.7]	130 [ 7.9]	160 [ 9.9]	205 [12.5]	245 [15.0]	310 [19.0]	395 [24.0]	495 [30.0]	625 [38.0]
Standard SAE B-Mount	1-1/4 inch Straight	1-1/16 O-ring	109-1100	-1101	-1102	-1103	-1104	-1105	-1106	-1212	-1215
		3/4 inch Split Flange	109-1001	-1054	-1002	-1003	-1055	-1056	-1057	—	—
	1-5/8 Inch Tapered	1-1/16 O-ring	109-1107	-1108	-1109	-1110	-1111	-1112	-1113	—	—
		3/4 inch Split Flange	109-1006	-1058	-1007	-1008	-1059	-1060	-1061	—	—
	1-1/4 Inch 14 T Splined	1-1/16 O-ring	109-1114	-1115	-1116	-1117	-1118	-1119	-1120	—	—
		3/4 inch Split Flange	109-1011	-1062	-1012	-1013	-1063	-1064	-1065	—	—
Standard SAE C-Mount	40 mm Straight	G 3/4 (BSP)	109-1184	-1185	-1227	-1224	-1225	-1189	-1190	—	—
	1-1/2 Inch 17 T Splined	G 3/4 (BSP)	109-1191	-1192	-1193	-1194	-1195	-1196	-1197	—	—
Wheel Motor	1-1/4 inch Straight	1-1/16 O-ring	110-1074	-1075	-1076	-1077	-1078	-1079	-1080	—	-1122
		3/4 inch Split Flange	110-1001	-1040	-1002	-1003	-1041	-1042	-1043	—	—
	40 mm Straight	G 3/4 (BSP)	110-1108	-1109	-1110	-1111	-1112	-1113	-1125	—	—
	1-5/8 Inch Tapered	1-1/16 O-ring	110-1081	-1082	-1083	-1084	-1085	-1086	-1087	1116	-1117
		3/4 inch Split Flange	110-1006	-1044	-1007	-1008	-1045	-1046	-1047	—	—
	1-1/4 Inch 14 T Splined	1-1/16 O-ring	110-1088	-1089	-1090	-1091	-1092	-1093	-1094	—	—
3/4 inch Split Flange		110-1011	-1048	-1012	-1013	-1049	-1050	-1051	—	—	
Bearingless		1-1/16 O-ring	111-1033	-1034	-1035	-1036	-1037	-1038	-1039	-1062	-1063
		3/4 inch Split Flange	111-1044	-1015	-1045	-1046	-1016	-1017	-1018	—	—
		G 3/4 (BSP)	111-1052	-1053	-1054	-1055	-1056	-1057	-1058	—	—

111-1057

Notes:

---

---

---

---

---

---

---

---

---

---

---

---

---

---

---

---

---

---

---

---

---

---

---

---

---

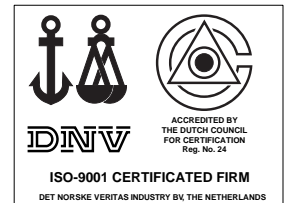
## 4000 Series Motors

Information contained in this catalog is accurate as of the publication date and is subject to change without notice. Performance values are typical values. Customers are responsible for selecting products for their applications using normal engineering methods.

### Eaton Hydraulics

14615 Lone Oak Road  
Eden Prairie, MN 55344  
Telephone: 952 937-7254  
Fax: 952 937-7130  
[www.eatonhydraulics.com](http://www.eatonhydraulics.com)

46 New Lane, Havant  
Hampshire PO9 2NB  
England  
Telephone: (44) 170-548-6451  
Fax: (44) 170-548-7110



**Quality System Certified**  
Products in this catalog are  
manufactured in an  
ISO-9001-certified site.