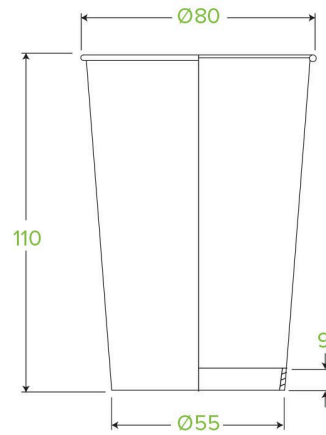


## 320ml / 10oz (80mm) White Single Wall BioCup BC-10W



White paper BioCups are manufactured using a Aqueous water dispersion coating. BioPak paper cups are certified home compostable (AS5810). This 10oz white single-wall cup fits our large lids.

<b>Carton quantity:</b> 1000	<b>Sleeves per carton:</b> 20	<b>Units per sleeve:</b> 50
<b>Carton Size LxWxH (cm):</b> 40.5x32.5x52.5	<b>Carton gross weight (kg):</b> 10.000000	<b>Carton barcode:</b> 19344062036583
<b>Raw material:</b> Paper - FSC™ Mix certified paper	<b>Lining/coating:</b> Bioplastic - Ingeo™ PLA	<b>Window material:</b> None
<b>Printing Type:</b> Offset	<b>Inks:</b> Food Contact Safe Inks	<b>Brim fill capacity (ml):</b> 335
<b>Dimensions top LxW (mm):</b> 80	<b>Dimensions base LxW (mm):</b> 56	<b>Product Depth:</b> 110
<b>Product weight (g):</b> 9.2	<b>Thickness:</b> 285gsm + 35gsm PLA	<b>Use:</b> Hot, Cold, Wet & Dry Products
<b>Manufactured:</b> China	<b>Customise:</b> None	<b>MOQ custom:</b> 25000
<b>Mould fees:</b> No	<b>Environmental production certified:</b> ISO 14001	<b>Facility Quality Systems:</b> ISO 9001
<b>Factory food safety certified:</b> BRC	<b>Corporate social accreditation:</b> SMETA	<b>Home compostable:</b> No
<b>Industrially compostable:</b> Certified to AS4736 Australian Standards, Certified to EN13432 European Standard	<b>Recyclable:</b> No	