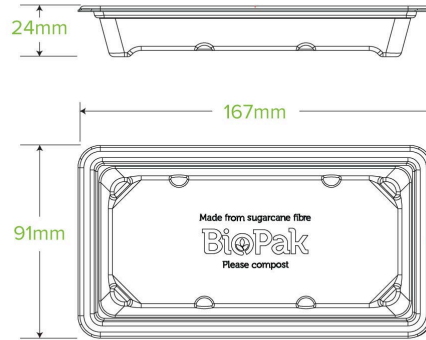
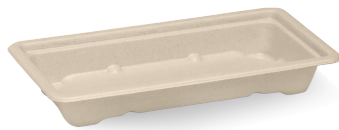


Small Plant Fibre Sushi Tray B-ST-SMALL-PF



Our plastic-free sushi trays are made from rapidly renewable sugarcane pulp, a by-product of the sugar refining industry, along with other plant fibres. Our long, disposable sushi trays are an eco-friendly alternative to plastic sushi trays and are made with no added PFAS.

| | | |
|---|---|--|
| Carton quantity: 600 | Sleeves per carton: 6 | Units per sleeve: 100 |
| Carton Size LxWxH (cm): 35x33x29.5 | Carton gross weight (kg): 5.400000 | Raw material: Plant Fibre With No Added PFAS |
| Lining/coating: None | Window material: None | Printing Type: None |
| Inks: None | Dimensions top LxW (mm): 167x90x24 | Dimensions base LxW (mm): 167x90x24 |
| Product Depth: 24 | Product weight (g): 9 | Thickness: 0.6mm |
| Use: Hot, Cold, Wet & Dry Products | Manufactured: China | Customise: Yes - Please Contact Our Team For More Information |
| MOQ custom: MOQ apply see custom packaging | Mould fees: Yes - see custom packaging | Environmental production certified: ISO 14001 |
| Facility Quality Systems: ISO 9001 | Factory food safety certified: BRC | Corporate social accreditation: BSCI |
| Home compostable: Certified to AS5810 Australian standards, Certified to NF T51-800 European standards | Industrially compostable: No | Recyclable: No |