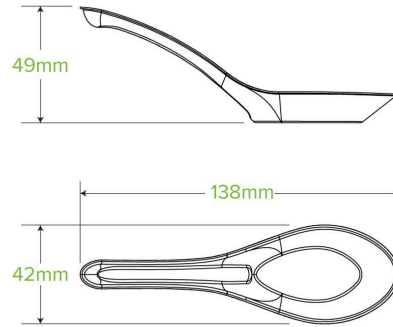


14cm Plant Fibre Chinese Soup Spoon B-14CS-PULP-PF



Our plant fibre Chinese Soup Spoons are made from rapidly renewable sugarcane pulp, a by-product of the sugar refining industry, and mixed with other plant fibres. The increased pulp thickness makes them perfect for hot soups. These Chinese spoons are made with no added PFAS and are certified home and industrially compostable.

Carton quantity: 1000	Sleeves per carton: 8	Units per sleeve: 125
Carton Size LxWxH (cm): 44x22x20	Carton gross weight (kg): 4.000000	Raw material: Plant Fibre With No Added PFAS
Lining/coating: None	Window material: None	Inks: None
Dimensions top LxW (mm): 110x40	Dimensions base LxW (mm): 138x42	Product Depth: 10
Product weight (g): 4	Thickness: 0.6mm	Use: Hot, Cold, Wet & Dry Products
Manufactured: China	Customise: Yes - Please Contact Our Team For More Information	MOQ custom: 500000
Mould fees: Yes - see custom packaging	Environmental production certified: ISO 14001	Facility Quality Systems: ISO 9001
Factory food safety certified: BRC	Corporate social accreditation: BSCI	Home compostable: Certified to AS5810 Australian standards, Certified to NF T51-800 European standards
Industrially compostable: Certified to AS4736 Australian Standards, Certified to EN13432 European Standard	Recyclable: No	